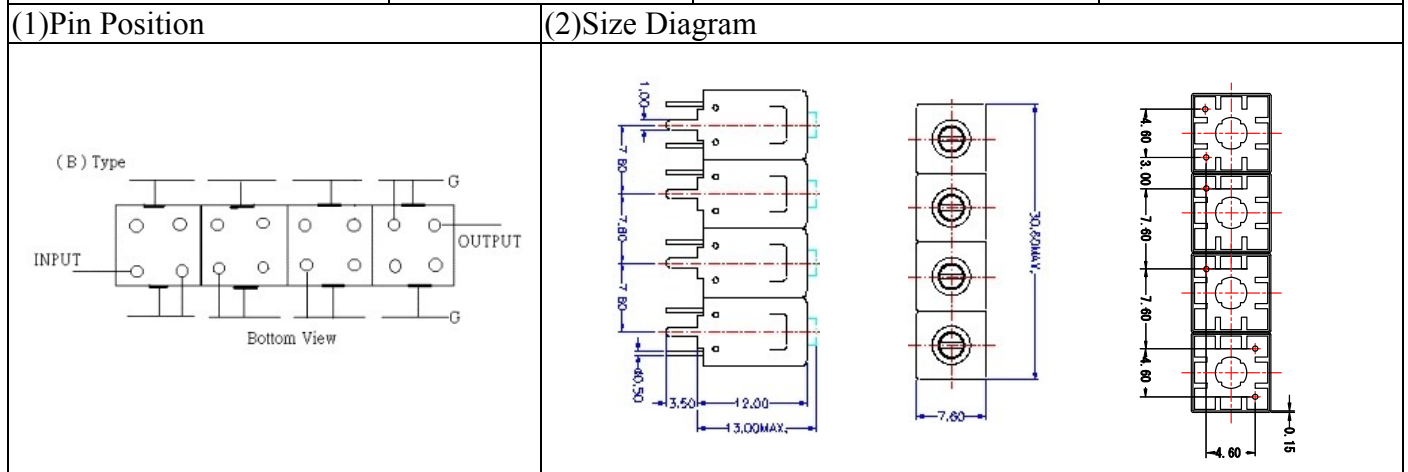


VHF UHF Helical Filter Specification Sheet

Customer Name		Temwell's Part No.	TF6915B-165M
Approval No. /dated	201701080CD	Temwell's Print Name	6915B 165M
Work Instruction No.	201701080CD	Date	Feb.13.2017



(3) Electric Characteristic

Item	Specify	Performance	
Center Freq.(Fo) +/- 0.5 %	165 MHz	165 MHz	
Insertion Loss	Typ. 4.5 dB	3.67 dB	
-3 dB Bandwidth	Typ. 3 MHz	6.7 MHz	
Sensitivity (Attenuation)	Fo - 50 MHz	Typ. 71 dBc	81 dBc
	Fo + 50 MHz	Typ. 68 dBc	78 dBc
	Fo - ()MHz	Typ. dBc	dBc
	Fo +()MHz	Typ. dBc	dBc
Return Loss	Min. 12 dB	32.5 dB	
Ripple	< 1 dB	dB	
Impedance	In / Out : 50 Ω	In / Out : 50 Ω	

(4) Torque for Tuning Screw > 60gf · cm

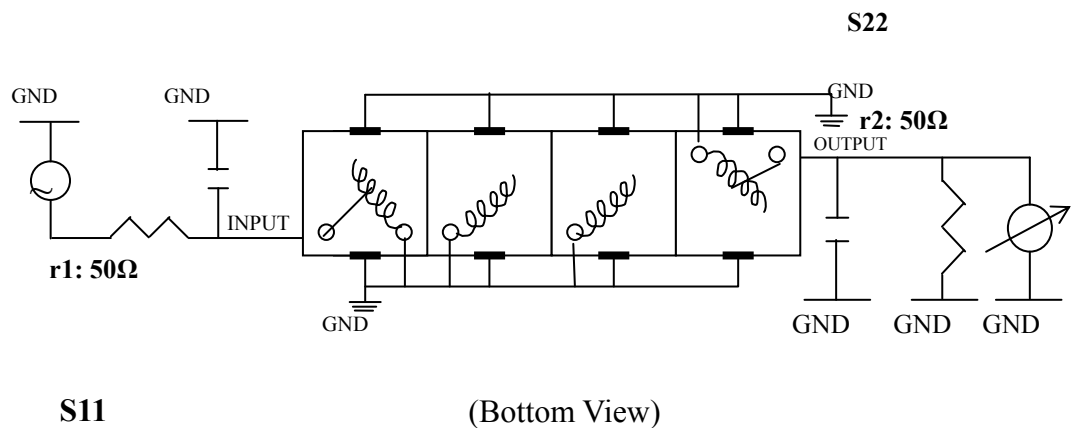
(5) Temperature Condition:

Operating Temperature	0°C ~ +60°C
-----------------------	-------------

Storage Temperature	-20°C ~ +70°C
---------------------	---------------

(6) Input Power > 1Watt

(7) Measuring Circuit: ※Easy to match Impedance S11/S22 50Ω by parallel with about(- -).



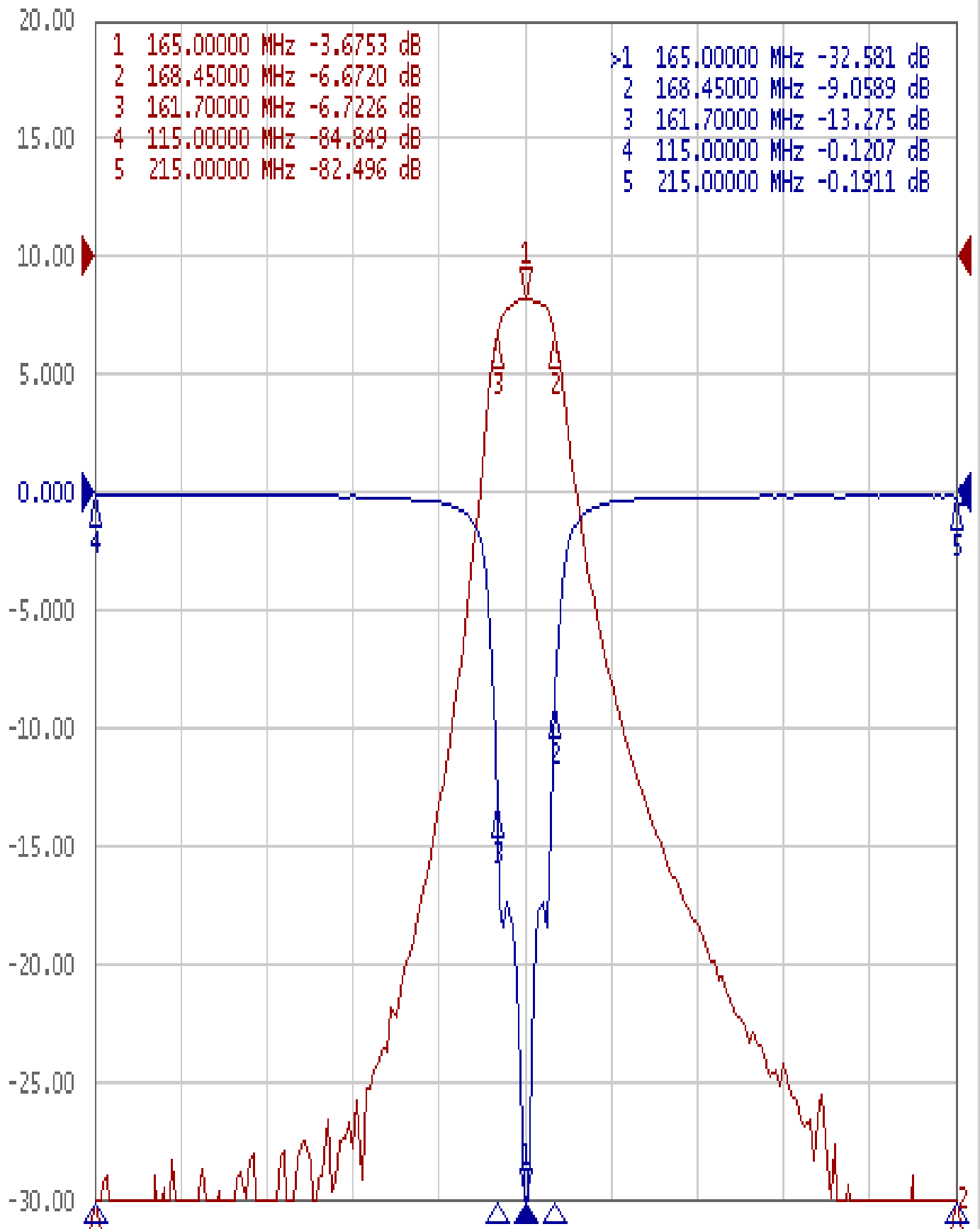
Approval	Supervisor	Designer	Aperture size
C.Y.Chang	C.K.Chang	W.W.Wang	7H4S(4*6.5)(6.58) 7H024RB4

TEMWELL CORPORATION

Performance-TF6915B-165M

201701080CD

Tr1 S11 Log Mag 5.000dB/ Ref 0.000dB [F2]
Tr2 S21 Log Mag 10.00dB/ Ref 0.000dB [F2]



1 Center 165 MHz

IFBW 70 kHz

Span 100 MHz Cor !