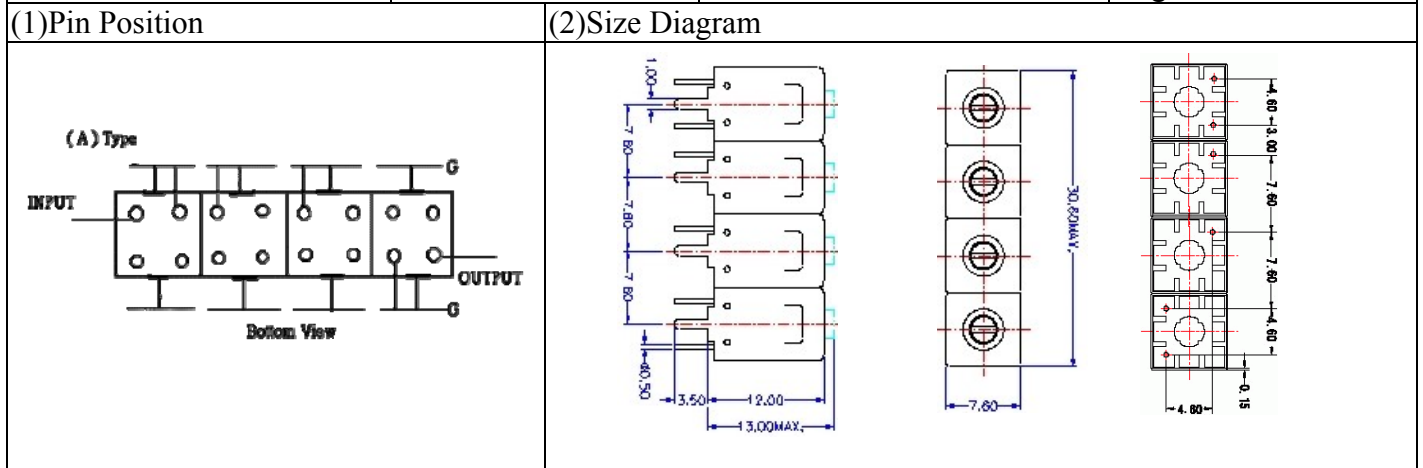


VHF UHF Helical Filter Specification Sheet

Customer Name		Temwell's Part No.	TF6915A-749M
Approval No. /dated	201707047CD	Temwell's Print Name	6915A 749M
Work Instruction No.	201707047CD	Date	Aug.09.2017



(3) Electric Characteristic

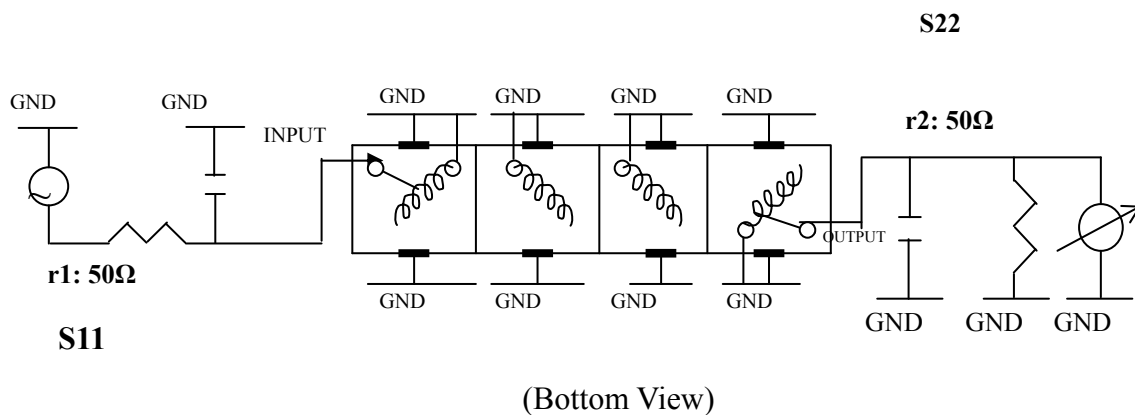
Item	Specify	Performance	
Center Freq.(Fo) +/- 0.5 %	749 MHz	749 MHz	
Insertion Loss	Typ. 7.5 dB	6.60 dB	
-3 dB Bandwidth	Typ. 4 MHz	8.8 MHz	
Sensitivity (Attenuation)	Fo - 50 MHz	Typ. 59 dBc	69 dBc
	Fo + 50 MHz	Typ. 52 dBc	62 dBc
	Fo - ()MHz	Typ. dBc	dBc
	Fo +()MHz	Typ. dBc	dBc
Return Loss	Min. 12 dB	27.8 dB	
Ripple	< 1 dB	dB	
Impedance	In / Out : 50 Ω	In / Out : 50 Ω	
(4) Torque for Tuning Screw	> 60gf · cm		

(5) Temperature Condition:

Operating Temperature	0°C ~ +60°C
Storage Temperature	-20°C ~ +70°C

(6) Input Power

(7) Measuring Circuit: ※Easy to match Impedance S11/S22 /50Ω by parallel with about(- -).



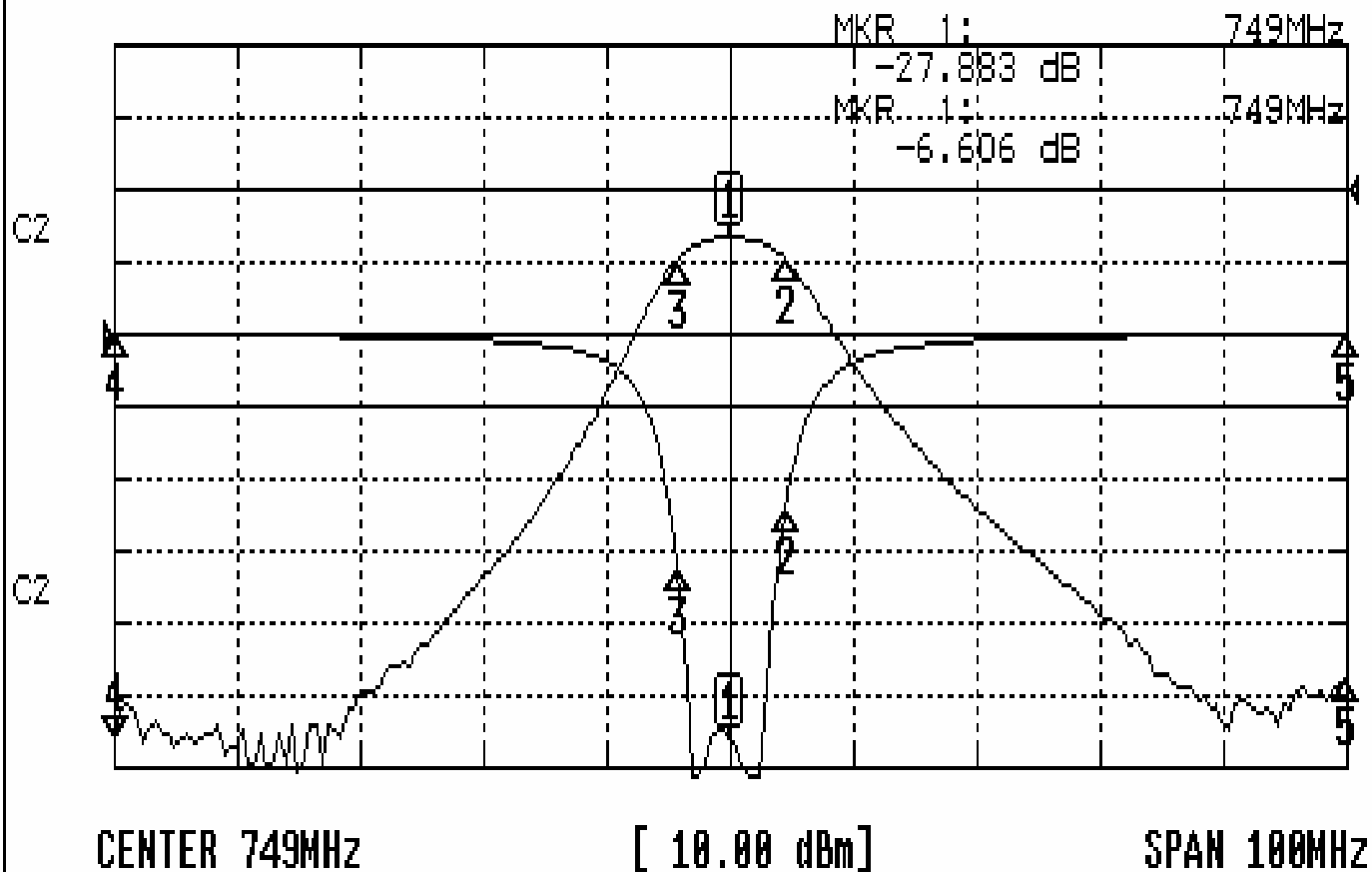
Approval C.Y.Chang	Supervisor C.K.Chang	Designer C.H.Yeh	Aperture size 7H4S(4*4.65)(4.70) 7H046LB4.3 聚 3
-----------------------	-------------------------	---------------------	---

TEMWELL CORPORATION

Performance-TF6915A-749M

201707047CD

CH1 S11 LOG MAG REF 0.000 dB 5.000 dB/
CH2 S21 LOG MAG REF 0.000 dB 10.000 dB/



CH1 MARKER LIST

1:	749.000MHz	-27.872	dB
2:	753.570MHz	-11.973	dB
3:	744.750MHz	-16.054	dB
4:	699.000MHz	-0.045	dB
5:	799.000MHz	-0.049	dB

CH2 MARKER LIST

1:	749.000MHz	-6.606	dB
2:	753.570MHz	-11.648	dB
3:	744.750MHz	-11.649	dB
4:	699.000MHz	-76.046	dB
5:	799.000MHz	-69.072	dB