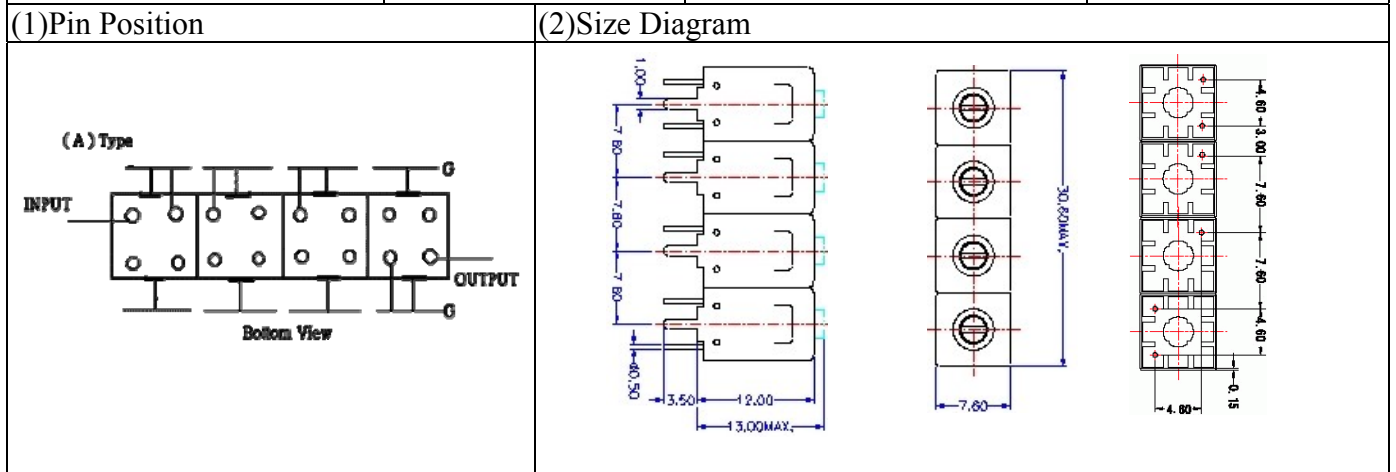
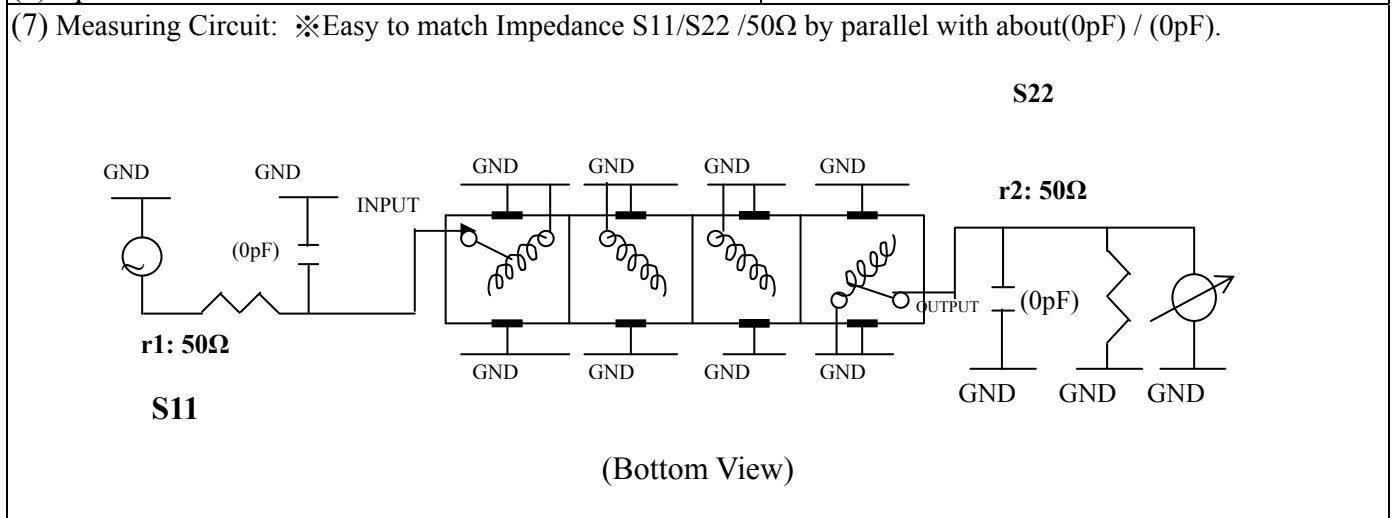


VHF UHF Helical Filter Specification Sheet

Customer Name		Temwell's Part No.	TF69151A-902M
Approval No. /dated	9907051APR	Temwell's Print Name	69151A 902M
Work Instruction No.	9907051D	Date	Mar.05.2009



(3) Electric Characteristic			
Item		Specify	Performance
Center Freq.(Fo) +/- 0.5 %		902 MHz	902 MHz
Insertion Loss		Typ. 7.0 dB	5.20 dB
-3 dB Bandwidth		Typ. 7 MHz	13.8 MHz
Sensitivity (Attenuation)	Fo - 20 MHz	Typ. 29 dBc	32 dBc
	Fo + 20 MHz	Typ. 22 dBc	25 dBc
	Fo - ()MHz	Typ. dBc	dBc
	Fo +()MHz	Typ. dBc	dBc
Return Loss		Min. 12 dB	16.5 dB
Ripple		< 1 dB	dB
Impedance		In / Out : 50 Ω	In / Out : 50 Ω
(4) Torque for Tuning Screw		> 100gf · cm	
(5) Temperature Condition:			
Operating Temperature		0°C ~ +60°C	
Storage Temperature		-20°C ~ +70°C	
(6) Input Power		> 1Watt	



Approval C.Y.Chang	Supervisor C.K.Chang	Designer C.S.Chang	Aperture size 7H4S(4*4.5F) (7H046LB4 聚 3)
-----------------------	-------------------------	-----------------------	---

TEMWELL CORPORATION

Performance-TF69151A-902M

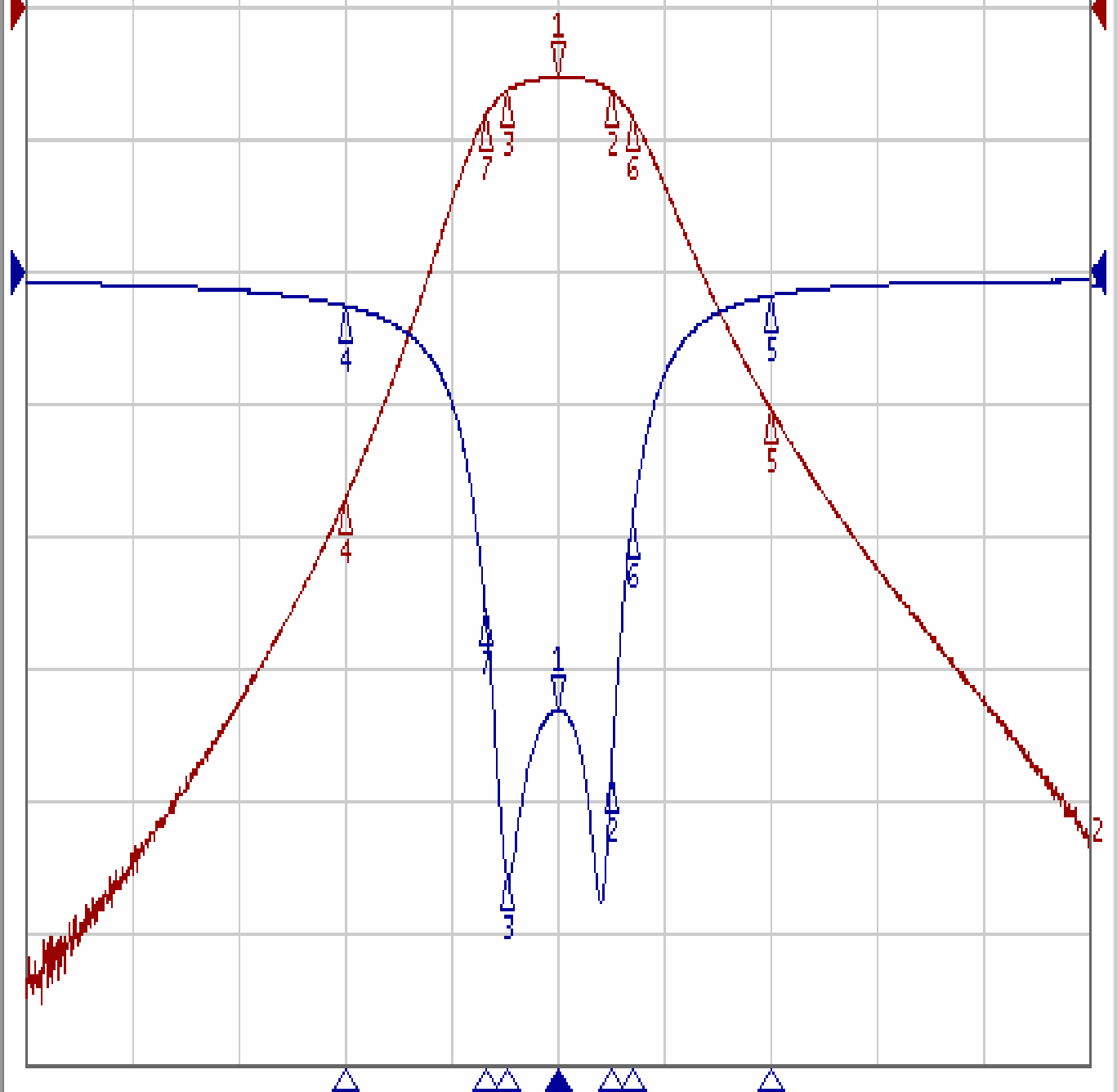
9907051D

▶ Tr1 S11 Log Mag 5.000dB/ Ref 0.000dB [F3]

Tr2 S21 Log Mag 10.000dB/ Ref 0.000dB [F3]

1	902.00000 MHz	-5.2020 dB
2	907.03438 MHz	-6.2340 dB
3	897.22825 MHz	-6.2264 dB
4	882.00000 MHz	-37.211 dB
5	922.00000 MHz	-30.312 dB
6	909.03563 MHz	-8.2133 dB
7	895.22700 MHz	-8.1297 dB

>1	902.00000 MHz	-16.575 dB
2	907.03438 MHz	-19.173 dB
3	897.22825 MHz	-22.800 dB
4	882.00000 MHz	-1.2475 dB
5	922.00000 MHz	-0.8734 dB
6	909.03563 MHz	-9.4516 dB
7	895.22700 MHz	-12.833 dB



1 Center 902 MHz

IFBW 10 kHz

Span 100 MHz

