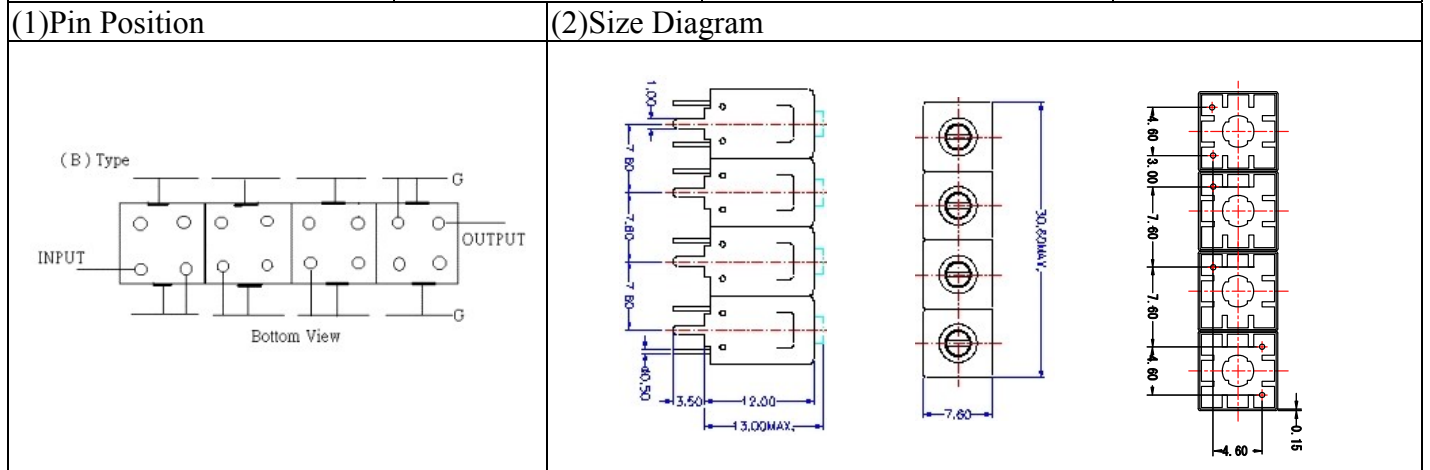


VHF UHF Helical Filter Specification Sheet

Customer Name		Temwell's Part No.	TF6914B1-157M
Approval No. /dated	201701079CD	Temwell's Print Name	6914B1 157M
Work Instruction No.	201701079CD	Date	Feb.09.2017



(3) Electric Characteristic

Item	Specify	Performance	
Center Freq.(Fo) +/- 0.75 %	157 MHz	157 MHz	
Insertion Loss	Typ. 4.5 dB	3.54 dB	
-3 dB Bandwidth	Typ. 4 MHz	7.5 MHz	
Sensitivity (Attenuation)	Fo - 10 MHz	Typ. 35 dBc	40 dBc
	Fo + 10 MHz	Typ. 27 dBc	32 dBc
	Fo - ()MHz	Typ. dBc	dBc
	Fo + ()MHz	Typ. dBc	dBc
Return Loss	Min. 12 dB	24.4 dB	
Ripple	< 1 dB	dB	
Impedance	In / Out : 50 Ω	In / Out : 50 Ω	

(4) Torque for Tuning Screw

> 100gf · cm

(5) Temperature Condition:

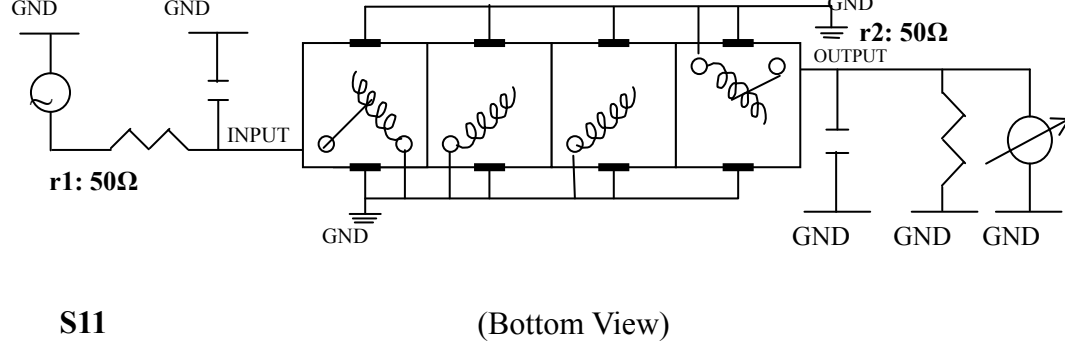
Operating Temperature -30°C ~ +70°C

Storage Temperature -30°C ~ +80°C

(6) Input Power

> 1 Watt

(7) Measuring Circuit: ※Easy to match Impedance S11/S22 50Ω by parallel with about(- -).



(Bottom View)

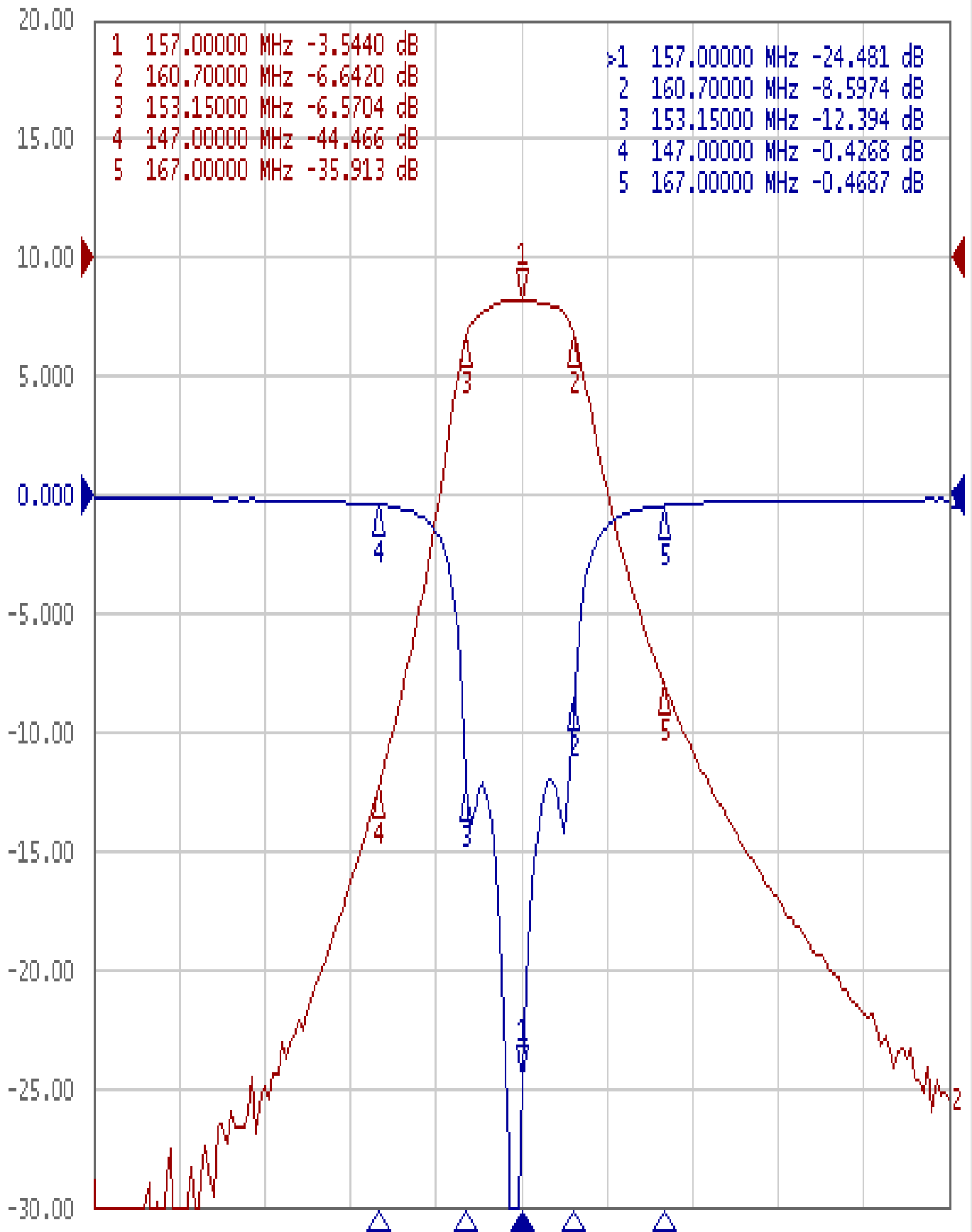
Approval	Supervisor	Designer	Aperture size
C.Y.Chang	C.K.Chang	W.W.Wang	7H4S(4*6.5)(6.53) 7H024RB4

TEMWELL CORPORATION

Performance-TF6914B1-157M

201701079CD

Tr1 S11 Log Mag 5.000dB/ Ref 0.000dB [F2]
Tr2 S21 Log Mag 10.00dB/ Ref 0.000dB [F2]



1 Center 157 MHz

IFBW 70 kHz

Span 60 MHz

Cor !