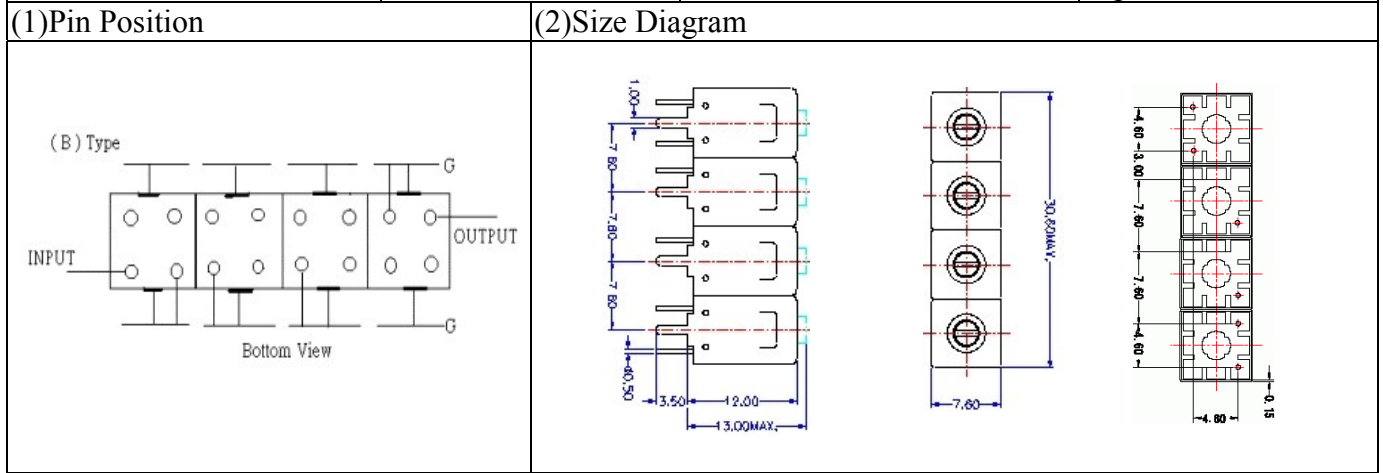


# VHF UHF Helical Filter Specification Sheet

Customer Name		Temwell's Part No.	TF6914B-152M
Approval No. /dated	0608036APR	Acceptable Fo Specify Range	146-165MHz
Work Instruction No.	0608036DC	Date	Sep.06.2006



(3) Electric Character

Item	Specify	Performance
Center Freq.(Fo ) +/- 0.5 %	152 MHz	152 MHz
Insertion Loss	Typ. 6.5 dB	5.41 dB
-3 dB Bandwidth	Typ. 3 MHz	4.7 MHz
Sensitivity (Attenuation )	Fo - 10 MHz	Typ. 50 dBc
	Fo + 10 MHz	Typ. 39 dBc
	Fo - ( )MHz	Typ. dBc
	Fo +( )MHz	Typ. dBc
Return Loss	Min. 12 dB	15.4 dB
Ripple	< 1 dB	dB
Impedance	In / Out : 50 Ω	In / Out : 50 Ω

(4) Torque for Tuning Screw > 100gf · cm

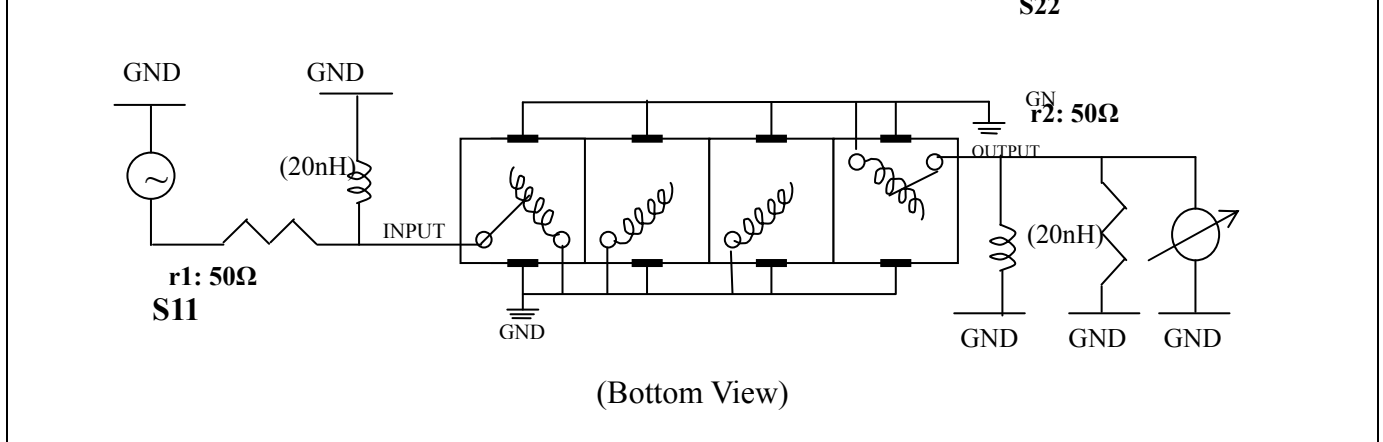
(5) Temperature Condition:

Operating Temperature 0°C ~ +60°C

Storage Temperature -20°C ~ +70°C

(6) Input Power > 1Watt

(7) Measuring Circuit: ※Easy to match Impedance S11/S22 50 Ω by parallel with about(20 nH) / (20 nH).



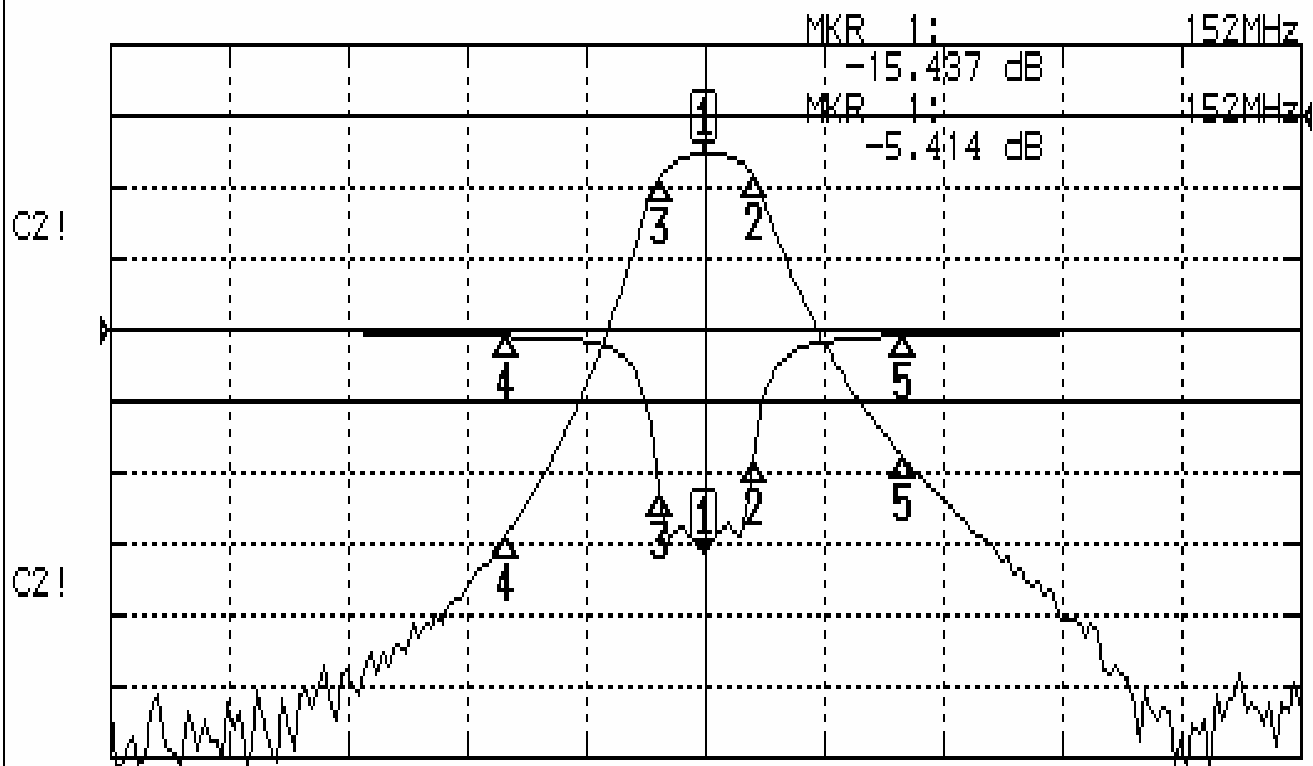
Approval C.Y.Chang	Supervisor C.S.Chang	Designer C.S.Chang	Aperture size 7H4, 4*5.5(5.60) 7H024RB4
-----------------------	-------------------------	-----------------------	---

TEMWELL CORPORATION

# Performance-TF6914B-152M

## 0608036DC

CH1 S11 LOG MAG REF 0.000 dB 5.000 dB/  
CH2 S21 LOG MAG REF 0.000 dB 10.000 dB/



CENTER 152MHz

[ 10.00 dBm ]

SPAN 60MHz

### CH1 MARKER LIST

1:	152.000MHz	-15.437 dB
2:	154.450MHz	-8.985 dB
3:	149.750MHz	-11.504 dB
4:	142.000MHz	-0.433 dB
5:	162.000MHz	-0.335 dB

### CH2 MARKER LIST

1:	152.000MHz	-5.414 dB
2:	154.450MHz	-8.462 dB
3:	149.750MHz	-8.469 dB
4:	142.000MHz	-5.751 dB
5:	162.000MHz	-47.851 dB