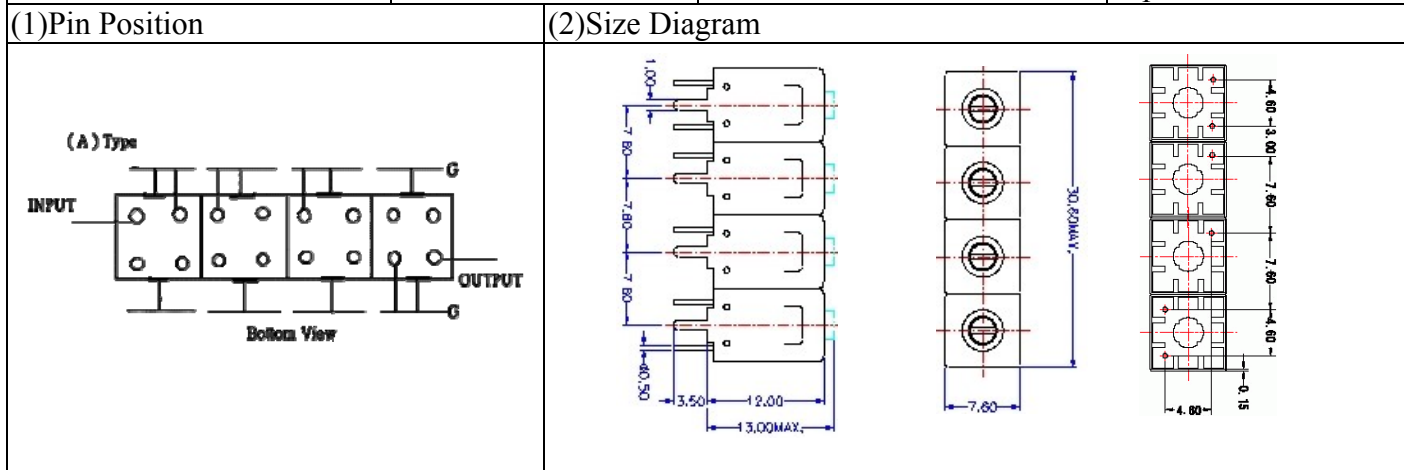


VHF UHF Helical Filter Specification Sheet

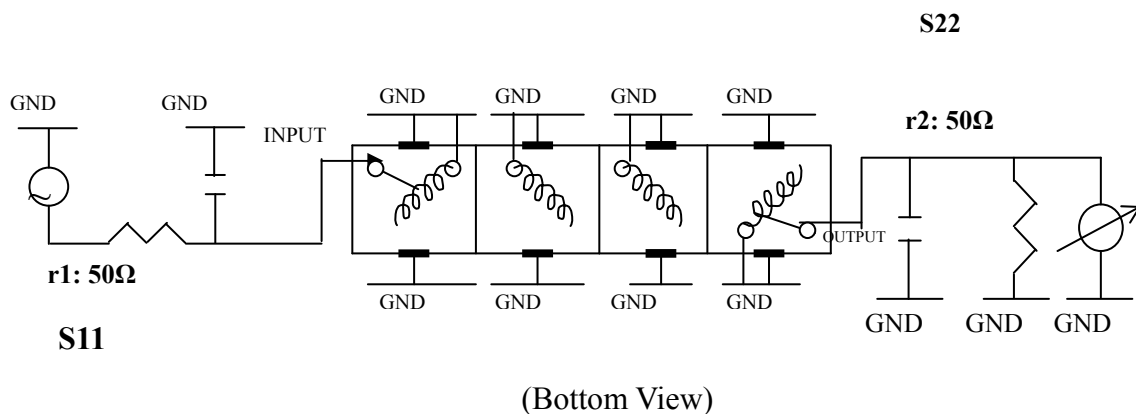
Customer Name		Temwell's Part No.	TF69149A-870M
Approval No. /dated	201708077CD	Temwell's Print Name	69149A 870M
Work Instruction No.	201708077CD	Date	Sep.06.2017



(3) Electric Characteristic

Item	Specify	Performance	
Center Freq.(Fo) +/- 0.5 %	870 MHz	870 MHz	
Insertion Loss	Typ. 7.0 dB	6.43 dB	
-3 dB Bandwidth	Typ. 5 MHz	10.0 MHz	
Sensitivity (Attenuation)	Fo - 50 MHz	Typ. 60 dBc	70 dBc
	Fo + 50 MHz	Typ. 59 dBc	69 dBc
	Fo - ()MHz	Typ. dBc	dBc
	Fo + ()MHz	Typ. dBc	dBc
Return Loss	Min. 12 dB	19.6 dB	
Ripple	< 1 dB	dB	
Impedance	In / Out : 50 Ω	In / Out : 50 Ω	
(4) Torque for Tuning Screw	> 60gf · cm		
(5) Temperature Condition:			
Operating Temperature	0°C ~ +60°C		
Storage Temperature	-20°C ~ +70°C		
(6) Input Power	> 1Watt		

(7) Measuring Circuit: ※Easy to match Impedance S11/S22 /50Ω by parallel with about(- -).



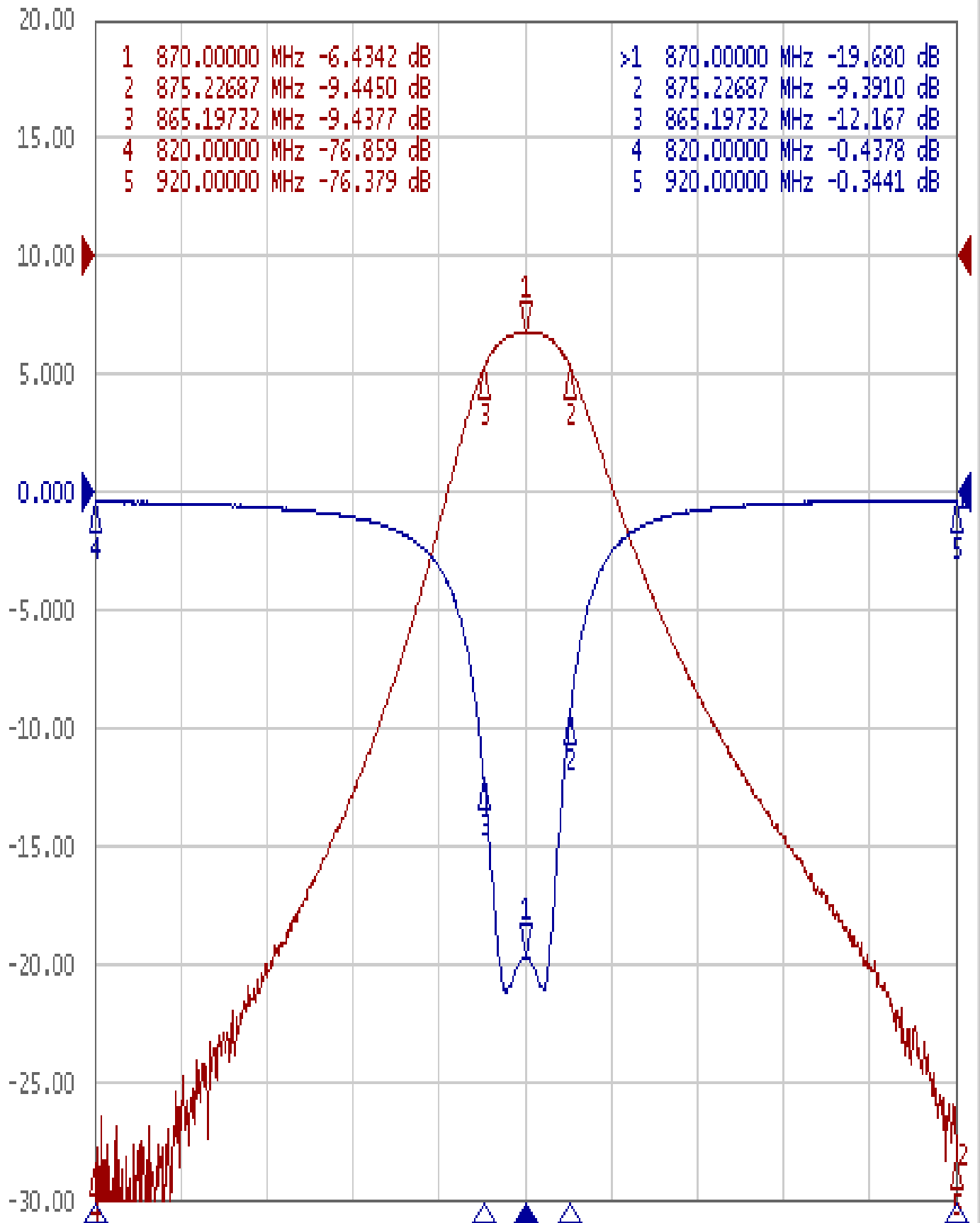
Approval	Supervisor	Designer	Aperture size
C.Y.Chang	C.K.Chang	C.S.Chang	7H4S(4*4.65)(4.68) 7H046LB4.3 聚 3

TEMWELL CORPORATION

Performance-TF69149A-870M

201708077CD

Tr1 S11 Log Mag 5.000dB/ Ref 0.000dB [F2]
Tr2 S21 Log Mag 10.00dB/ Ref 0.000dB [F2]



1 Center 870 MHz

IFBW 70 kHz

Span 100 MHz Cor