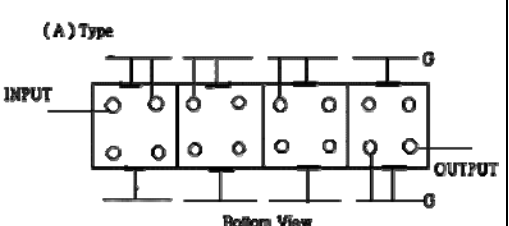
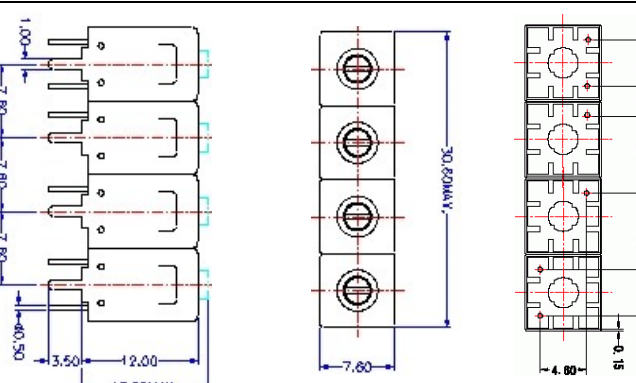


# VHF UHF Helical Filter Specification Sheet

Customer Name		Temwell's Part No.	TF69148A-845M
Approval No. /dated	9907021D	Acceptable Specify Fo Range	831~860MHz
Work Instruction No.	9907021D	Date	Aug.31,1999

(1)Pin Position	(2)Size Diagram
 <p>(A) Type Bottom View</p>	

### (3)Electric Charasteric

Item	Specify	Performance
Center Freq.(Fo ) +/- 0.5 %	845 MHz	845 MHz
Insertion Loss	Typ. 7.5 dB	6.64 dB
-3 dB Bandwidth	Typ. 7 MHz	11.9 MHz
Sensitivity (Attenuation )	Fo - 30 MHz	Typ. 55 dBc
	Fo + 30 MHz	Typ. 45 dBc
	Fo - ( )MHz	Typ. dBc
	Fo +( )MHz	Typ. dBc
Return Loss	Min. 12 dB	22.4 dB
Ripple	< 1 dB	dB
Impedance	In / Out : 50 Ω	In / Out : 50 Ω
(4)Torque for Tuning Screw	> 100gf · cm	

### (5)Temperature Condition:

Operating Temperature	0°C ~ +60°C
Storage Temperature	-20°C ~ +70°C
(6)Input Power	> 1Watt

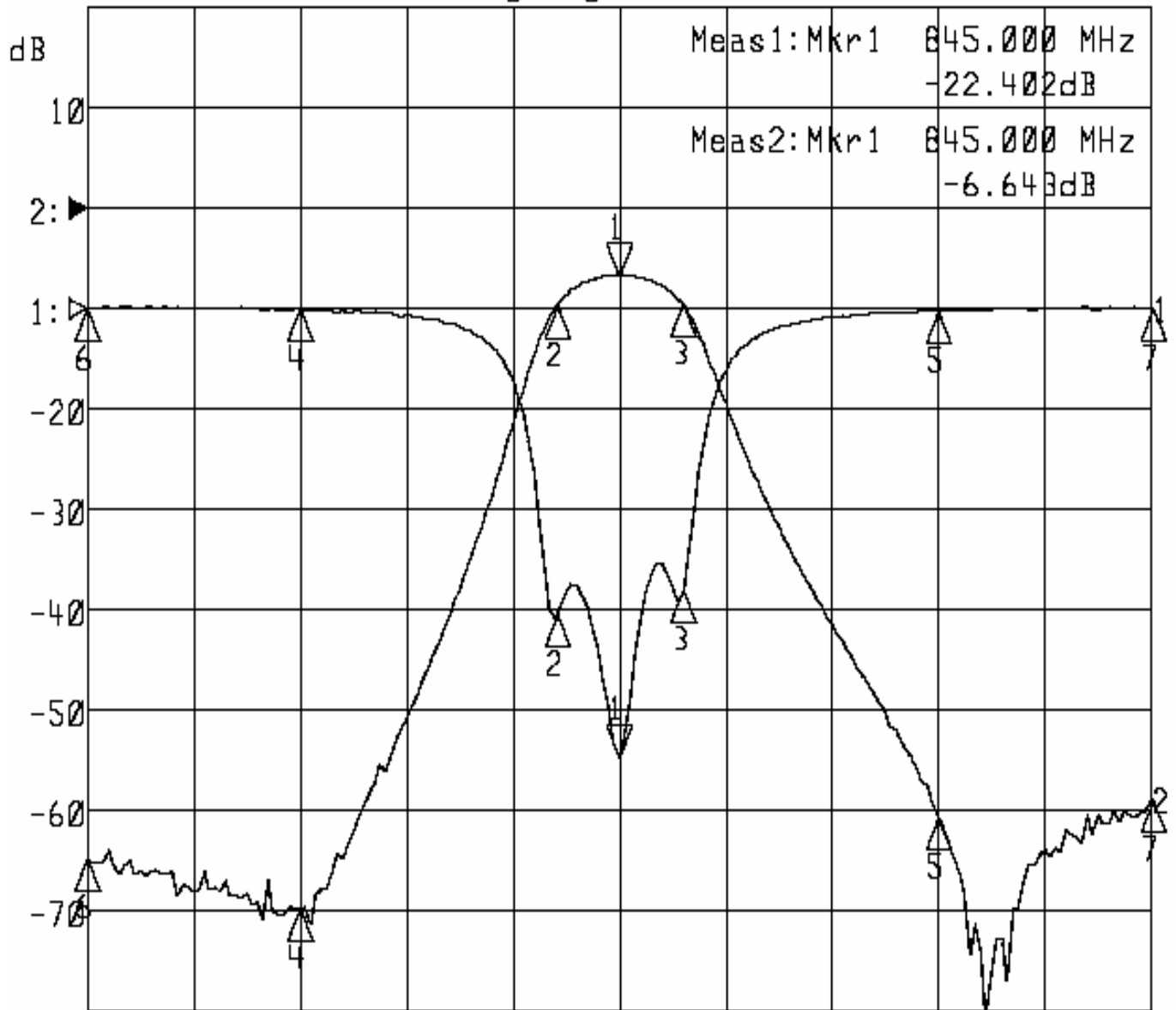
Approval	Supervisor	Designer	Aperture size
C. Y. Chang	C. S. Chang	C. S. Chang	7H4S(4*4.65) 7H046LB4

TEMWELL CORPORATION

# Performance-TF69148A-845M

## 9907021D

▷1:S11 Refl Port1 Log Mag 5.0 dB/ Ref 0.00 dB C  
▶2:S21 Fwd Trans Log Mag 10.0 dB/ Ref 0.00 dB C



Center 845.000 MHz

Span 100.000 MHz

1: Mkr (MHz)	dB	2: Mkr (MHz)	dB
1> 845.0000	-22.402	1> 845.0000	-6.643
2: 839.1667	-15.249	2: 839.1667	-9.627
3: 851.0333	-13.990	3: 851.0333	-9.599
4: 815.0000	-0.005	4: 815.0000	-69.755
5: 875.0000	-0.112	5: 875.0000	-60.739
6: 795.0000	0.004	6: 795.0000	-64.789
7: 895.0000	0.004	7: 895.0000	-58.892