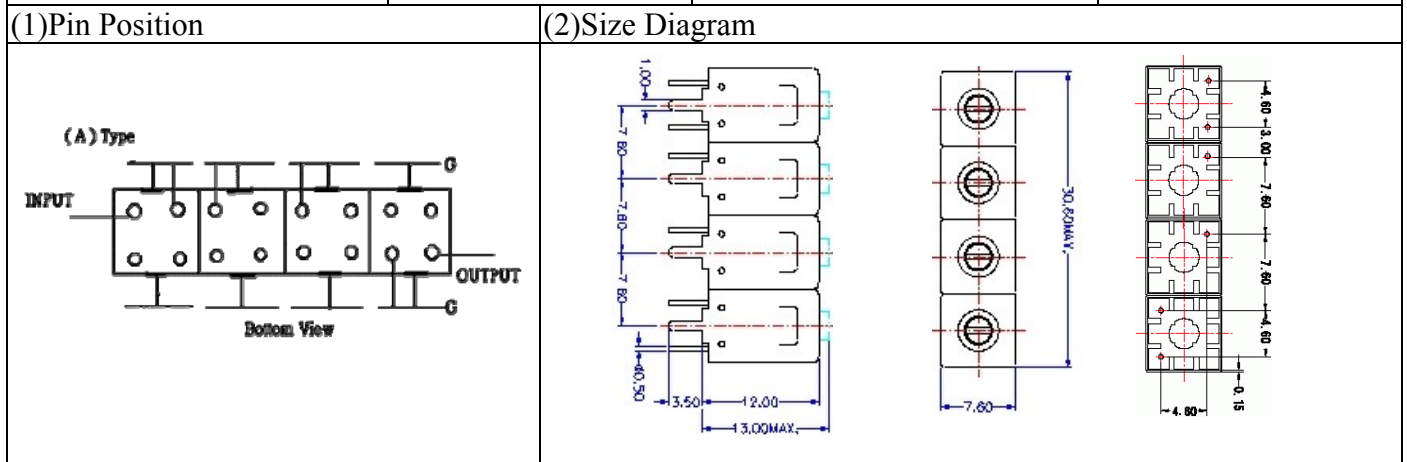


# VHF UHF Helical Filter Specification Sheet

|                      |             |                      |                |
|----------------------|-------------|----------------------|----------------|
| Customer Name        |             | Temwell's Part No.   | TF69138A-980M  |
| Approval No. /dated  | 201708101CD | Temwell's Print Name | 69138A<br>980M |
| Work Instruction No. | 201708101CD | Date                 | Oct.20.2017    |



### (3) Electric Characteristic

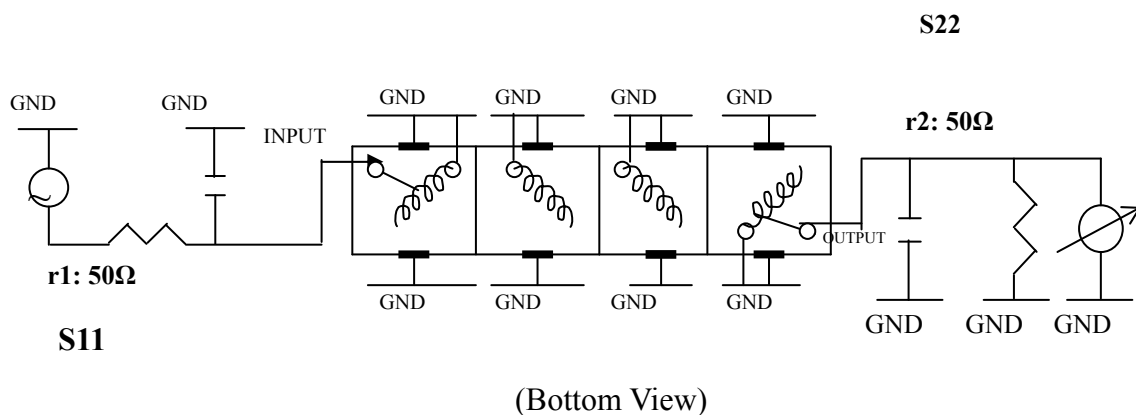
| Item                         | Specify         | Performance     |        |
|------------------------------|-----------------|-----------------|--------|
| Center Freq.(Fo) +/- 0.5 %   | 980 MHz         | 980 MHz         |        |
| Insertion Loss               | Typ. 6.0 dB     | 4.67 dB         |        |
| -3 dB Bandwidth              | Typ. 10 MHz     | 19.7 MHz        |        |
| Sensitivity<br>(Attenuation) | Fo - 30 MHz     | Typ. 35 dBc     | 40 dBc |
|                              | Fo + 30 MHz     | Typ. 27 dBc     | 32 dBc |
|                              | Fo - ( )MHz     | Typ. dBc        | dBc    |
|                              | Fo +( )MHz      | Typ. dBc        | dBc    |
| Return Loss                  | Min. 12 dB      | 28.6 dB         |        |
| Ripple                       | < 1 dB          | dB              |        |
| Impedance                    | In / Out : 50 Ω | In / Out : 50 Ω |        |
| (4) Torque for Tuning Screw  | > 60gf · cm     |                 |        |

### (5) Temperature Condition:

|                       |               |
|-----------------------|---------------|
| Operating Temperature | 0°C ~ +60°C   |
| Storage Temperature   | -20°C ~ +70°C |

### (6) Input Power

(7) Measuring Circuit: ※Easy to match Impedance S11/S22 /50Ω by parallel with about(- -).



|           |            |           |                                      |
|-----------|------------|-----------|--------------------------------------|
| Approval  | Supervisor | Designer  | Aperture size                        |
| C.Y.Chang | C.K.Chang  | C.S.Chang | 7H4S(4*5.35)(5.38)<br>7H046LB4.3 聚 3 |

TEMWELL CORPORATION

# Performance-TF69138A-980M

## 201708101CD

Tr1 S11 Log Mag 5.000dB/ Ref 0.000dB [F2]  
Tr2 S21 Log Mag 10.00dB/ Ref 0.000dB [F2]

