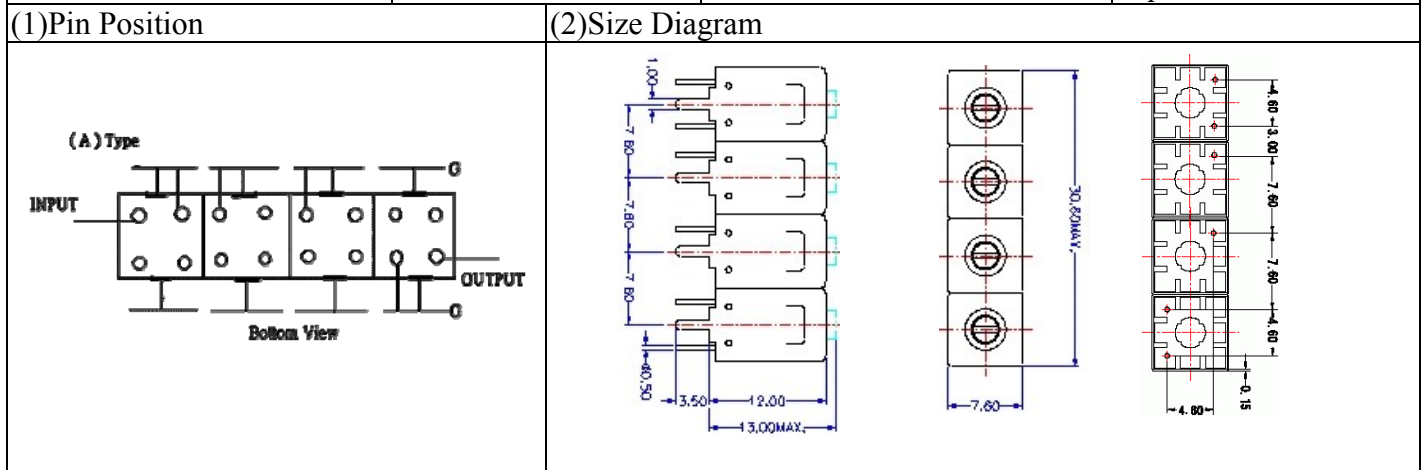
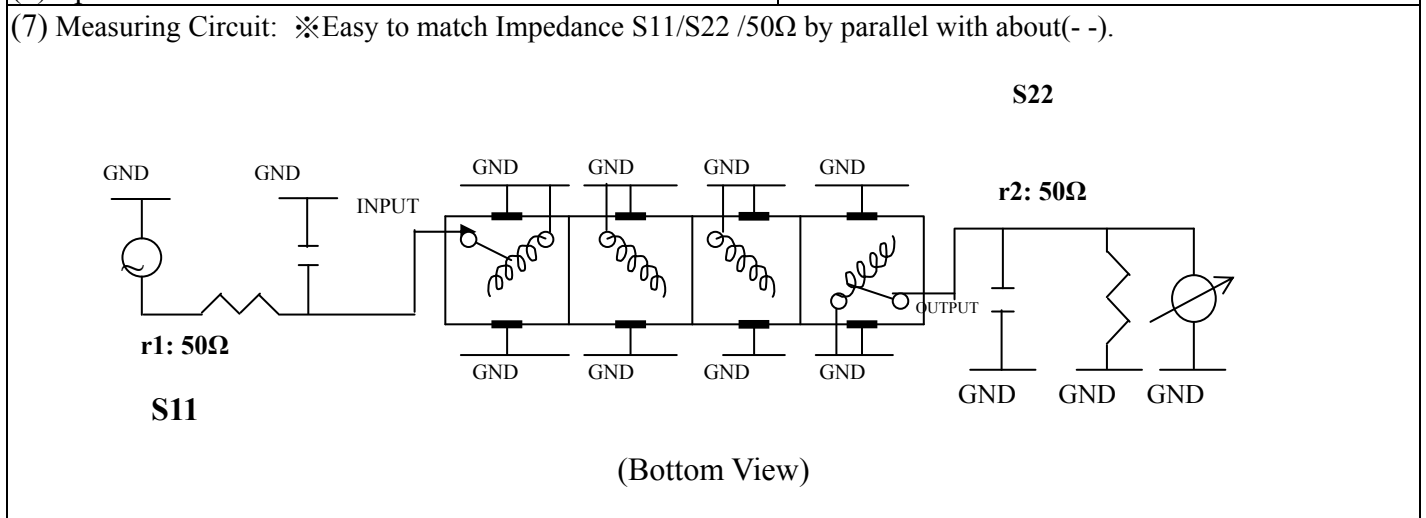


VHF UHF Helical Filter Specification Sheet

Customer Name		Temwell's Part No.	TF69132A-850M
Approval No. /dated	201708070CD	Temwell's Print Name	69132A 850M
Work Instruction No.	201708070CD	Date	Sep.22.2017



(3) Electric Characteristic			
Item	Specify	Performance	
Center Freq.(Fo) +/- 0.5 %	850 MHz	850 MHz	
Insertion Loss	Typ. 6.0 dB	5.07 dB	
-3 dB Bandwidth	Typ. 10 MHz	14.5 MHz	
Sensitivity (Attenuation)	Fo - 50 MHz	Typ. 57 dBc	67 dBc
	Fo + 50 MHz	Typ. 51 dBc	58 dBc
	Fo - ()MHz	Typ. dBc	dBc
	Fo + ()MHz	Typ. dBc	dBc
Return Loss	Min. 12 dB	36.7 dB	
Ripple	< 1 dB	dB	
Impedance	In / Out : 50 Ω	In / Out : 50 Ω	
(4) Torque for Tuning Screw	> 60gf • cm		
(5) Temperature Condition:			
Operating Temperature	0°C ~ +60°C		
Storage Temperature	-20°C ~ +70°C		
(6) Input Power	> 1 Watt		



Approval C.Y.Chang	Supervisor C.K.Chang	Designer M.Y.Kang	Aperture size 7H4S(4*4.65)(4.67) 7H046LB4.3 聚 3
-----------------------	-------------------------	----------------------	---

TEMWELL CORPORATION

Performance-TF69132A-850M

201708070CD

CH1 S11

LOG MAG

REF 0.000 dB

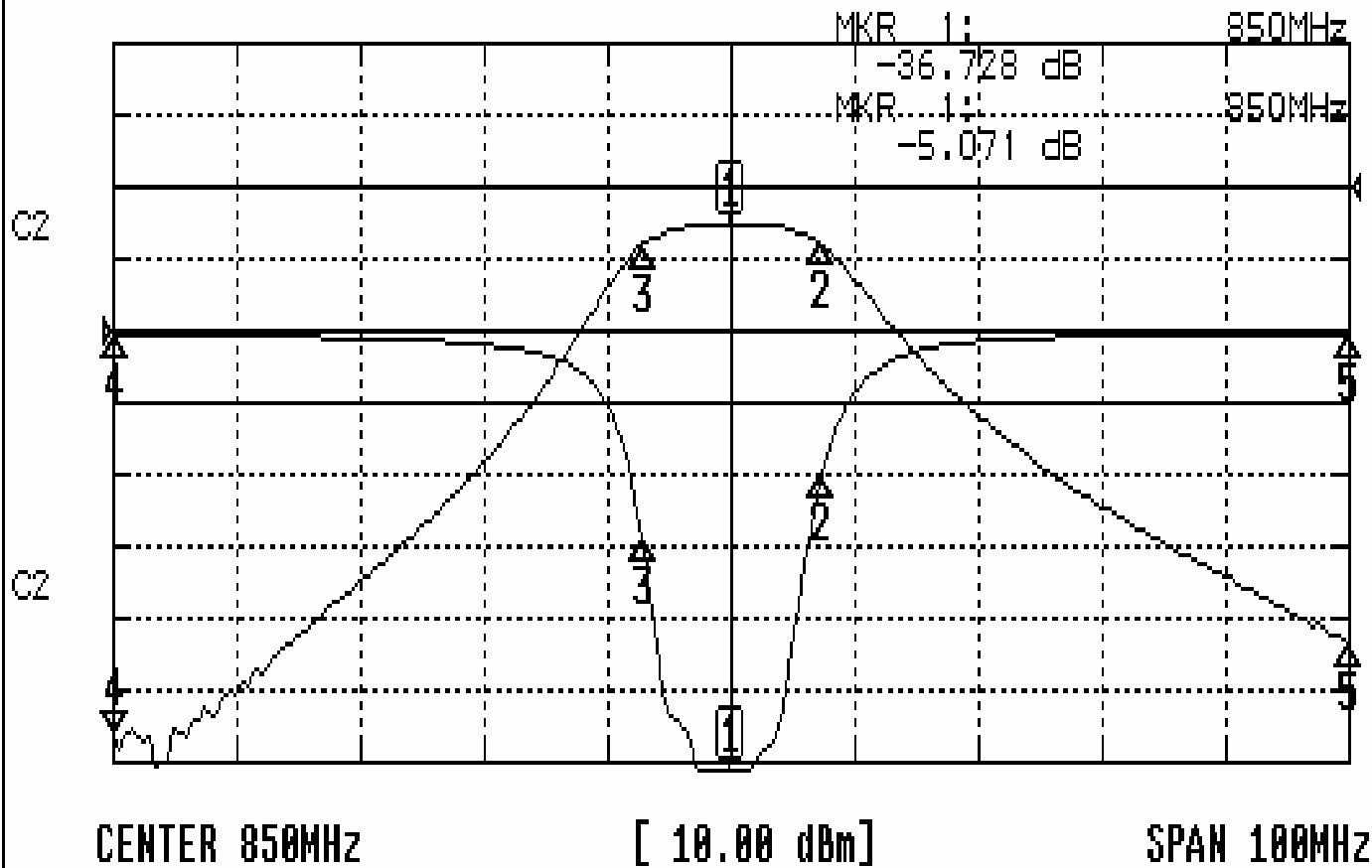
5.000 dB/

CH2 S21

LOG MAG

REF 0.000 dB

10.000 dB/



CH1 MARKER LIST

1:	850.000MHz	-36.728	dB
2:	857.416MHz	-10.035	dB
3:	842.833MHz	-14.378	dB
4:	800.000MHz	-0.277	dB
5:	900.000MHz	-0.205	dB

CH2 MARKER LIST

1:	850.000MHz	-5.075	dB
2:	857.416MHz	-0.048	dB
3:	842.833MHz	-0.047	dB
4:	800.000MHz	-72.376	dB
5:	900.000MHz	-63.295	dB