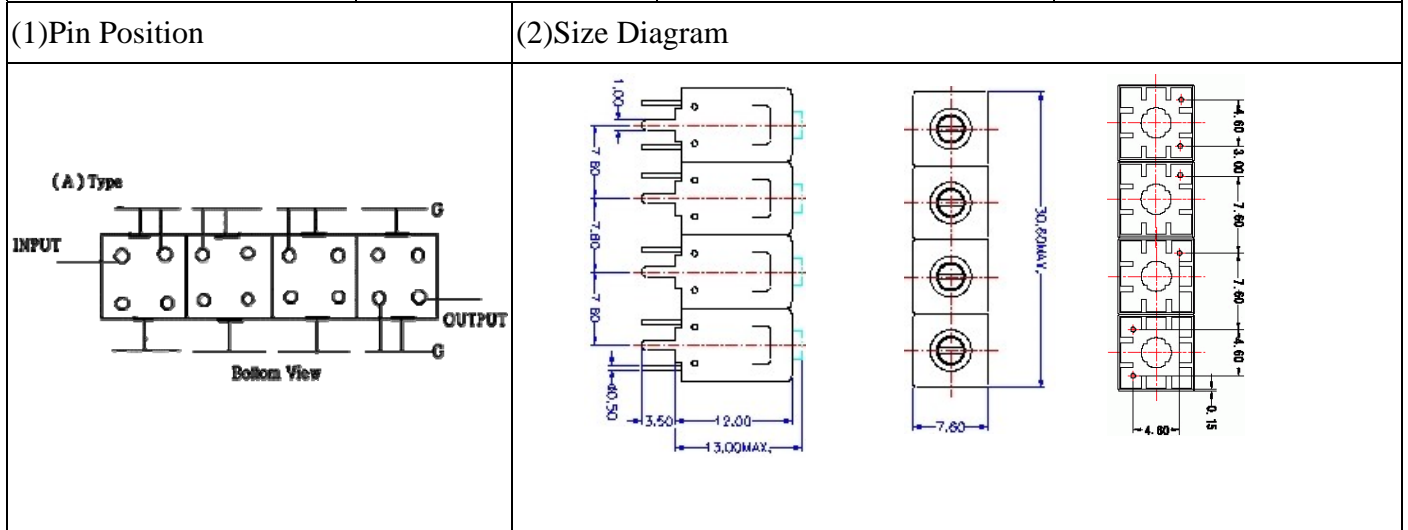


# VHF UHF Helical Filter Specification Sheet

Customer Name		Temwell's Part No.	TF69131A-813.5M
Approval No. /dated	2009095APR	Acceptable Specify Fo Range	801~830MHz
Work Instruction No.	2009095DC	Date	Oct.04,2000



(3) Electric Character			
	Item	Specify	Performance
	Center Freq.(Fo ) +/- 0.5 %	813.5 MHz	813.5 MHz
	Insertion Loss	Typ. 6.5 dB	5.60 dB
	-3 dB Bandwidth	Typ. 9 MHz	13 MHz
Sensitivity (Attenuation)	Fo - 50 MHz	Typ. 50 dBc	59 dBc
	Fo + 50 MHz	Typ. 50 dBc	54 dBc
	Fo - ( )MHz	Typ. dBc	dBc
	Fo +( )MHz	Typ. dBc	dBc
	Return Loss	Min. 12 dB	37.4 dB
	Ripple	< 1 dB	dB
	Impedance	In / Out : 50 Ω	In / Out : 50 Ω
(4) Torque for Tuning Screw		> 100gf • cm	
(5) Temperature Condition:			
Operating Temperature		0°C ~ +60°C	
Storage Temperature		-20°C ~ +70°C	
(6) Input Power		> 1Watt	
Approval	Supervisor	Designer	Aperture size
C. Y. Chang	C. S. Chang	C. S. Chang	7H4S(4*4.65) 7H046LB4

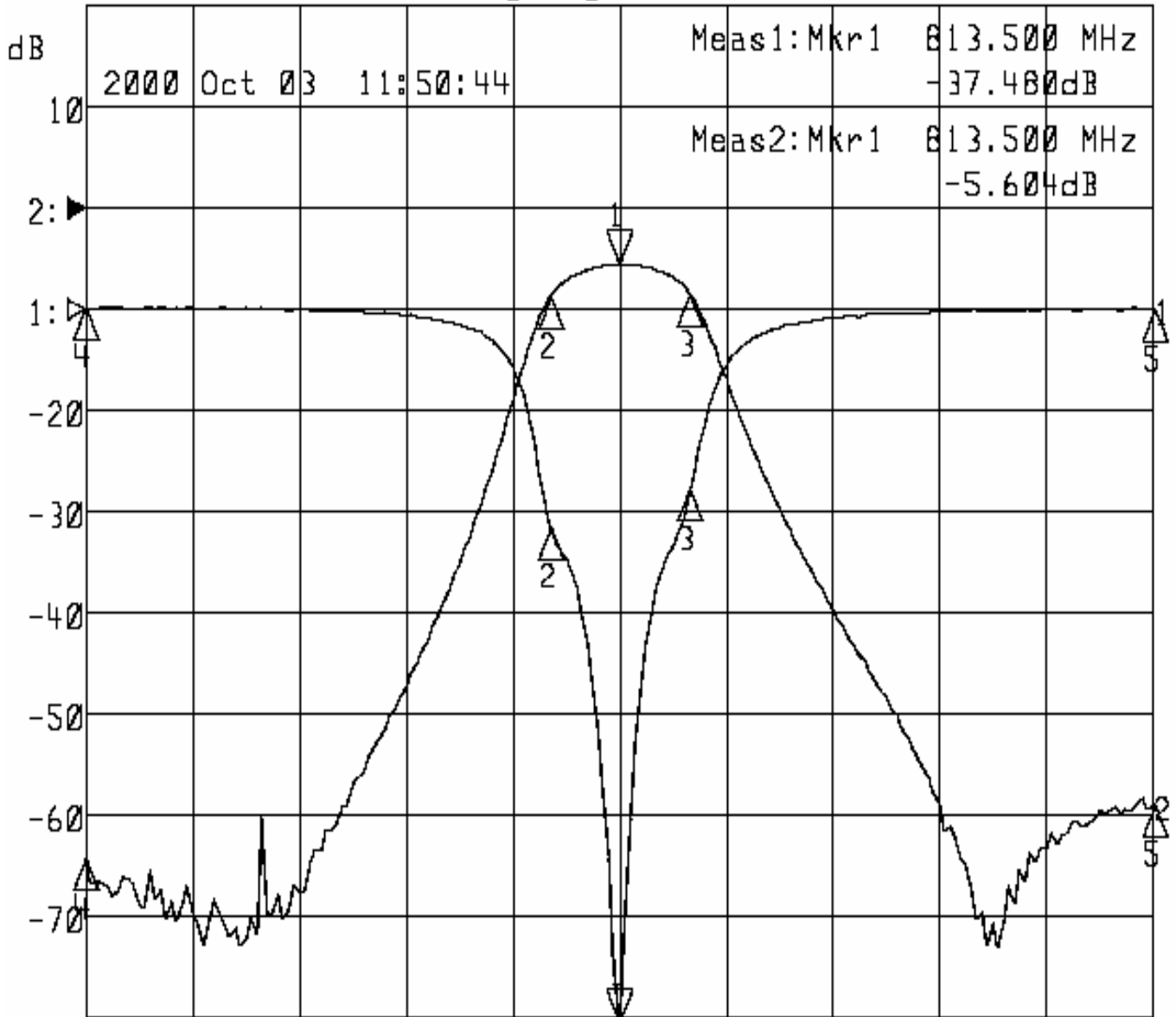
TEMWELL CORPORATION

# Performance-TF69131A-813.5M

## 2009095DC

▷1:S11 Refl Port1 Log Mag 5.0 dB/ Ref 0.00 dB C

▶2:S21 Fwd Trans Log Mag 10.0 dB/ Ref 0.00 dB C



Center 813.500 MHz

Span 100.000 MHz

1: Mkr (MHz)	dB	2: Mkr (MHz)	dB
1> 813.5000	-37.480	1> 813.5000	-5.604
2: 807.0667	-10.805	2: 807.0667	-8.653
3: 820.1667	-8.885	3: 820.1667	-8.506
4: 763.5000	0.090	4: 763.5000	-64.170
5: 863.5000	-0.004	5: 863.5000	-59.107