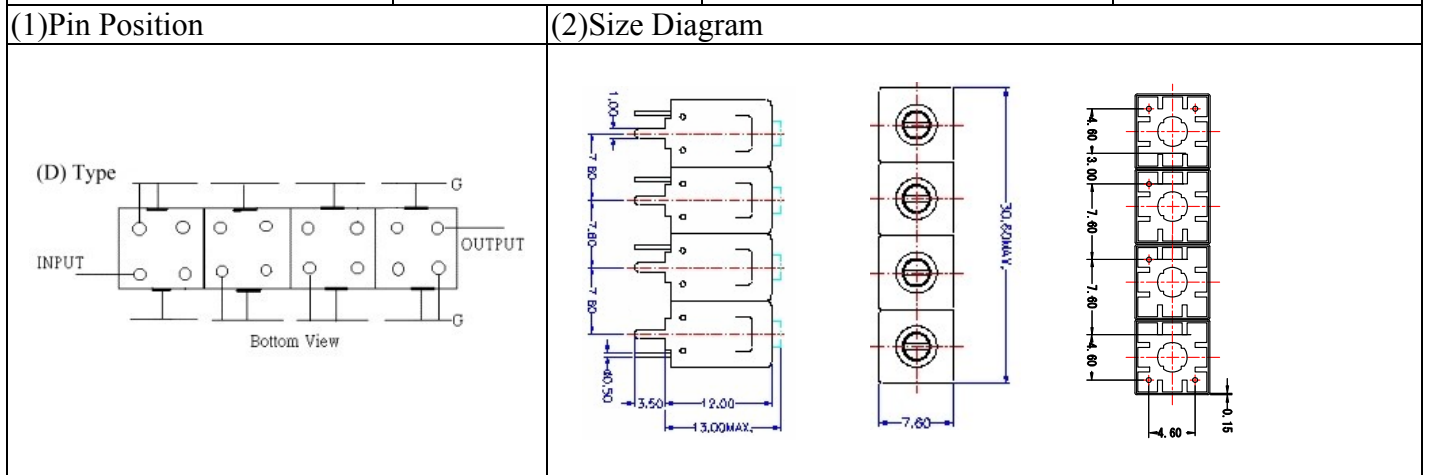
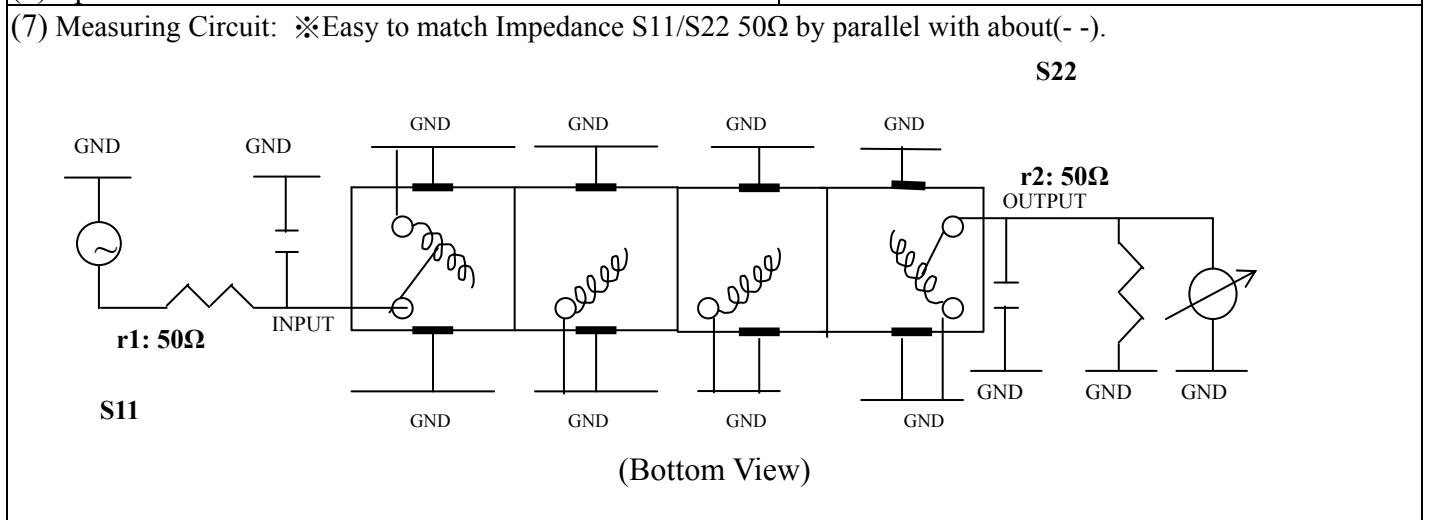


VHF UHF Helical Filter Specification Sheet

Customer Name		Temwell's Part No.	TF69103D-580M
Approval No. /dated	201703060CD	Customer's Print Name	69103D 580M
Work Instruction No.	201703060CD	Date	Jun.07.2017



(3) Electric Characteristic					
Item		Specify		Performance	
Center Freq.(Fo) +/- 0.5 %		580 MHz		580 MHz	
Insertion Loss		Typ	4.0 dB	3.38 dB	
-3 dB Bandwidth		Typ.	17 MHz	19.8 MHz	
Sensitivity (Attenuation)	Fo -50 MHz	Typ.	60 dBc	73 dBc	
	Fo +50 MHz	Typ.	50 dBc	55 dBc	
	Fo - ()MHz	Typ.	dBc	dBc	
	Fo +()MHz	Typ.	dBc	dBc	
Return Loss		Min.	12 dB	16.5 dB	
Ripple		< 1 dB		dB	
Impedance		In / Out : 50 Ω		In / Out : 50 Ω	
(4) Torque for Tuning Screw		> 60gf · cm			
(5) Temperature Condition:					
Operating Temperature		0°C ~ +60°C			
Storage Temperature		-20°C ~ +70°C			
(6) Input Power		> 1Watt			



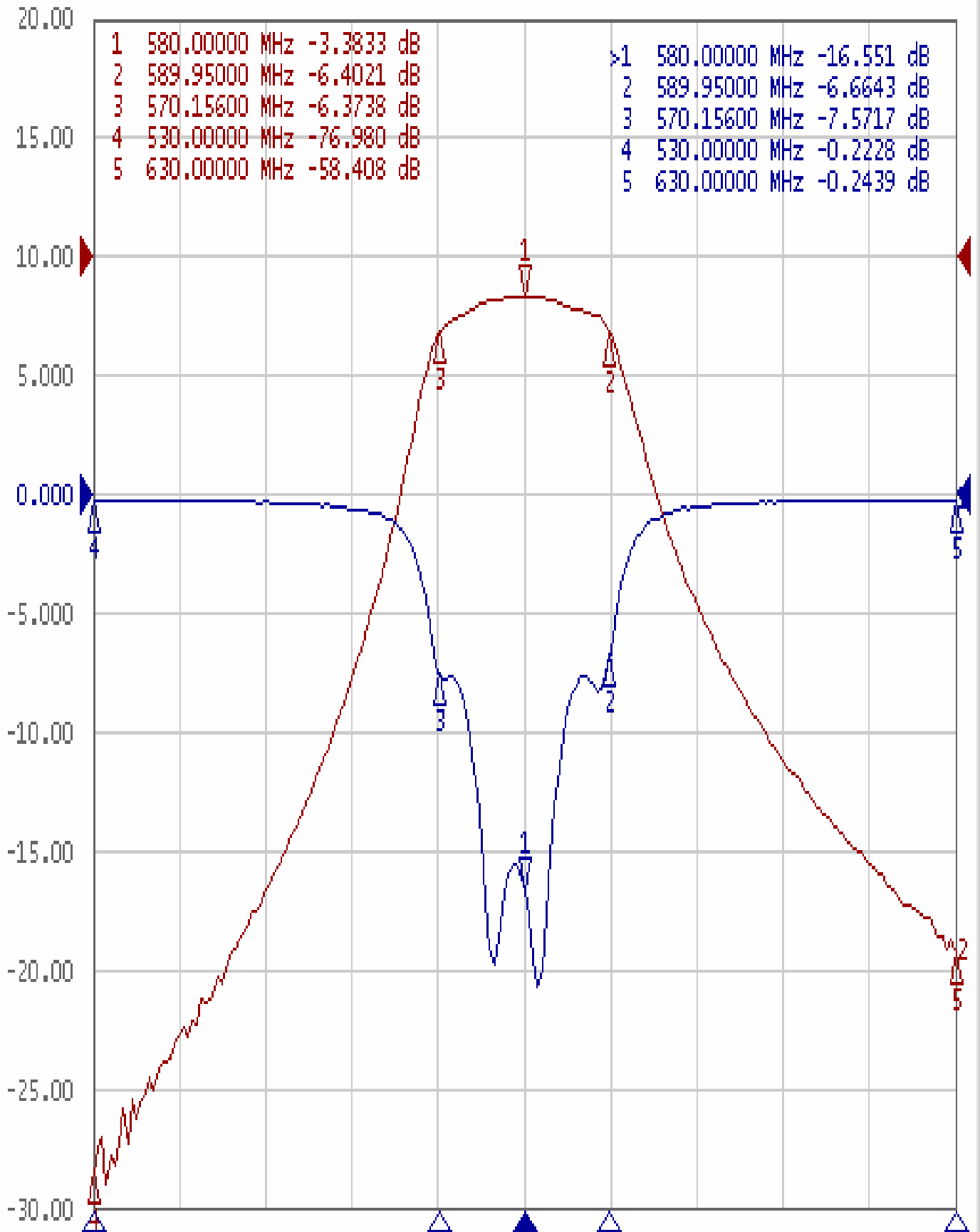
Approval	Supervisor	Designer	Aperture size
C.Y.Chang	C.K.Chang	C.S.Chang	7H4S(4*5.35)(5.42) 7H046LB4.3 聚 3

TEMWELL CORPORATION

Performance-TF69103D-580M

201703060CD

Tr1 S11 Log Mag 5.000dB/ Ref 0.000dB [F2]
Tr2 S21 Log Mag 10.00dB/ Ref 0.000dB [F2]



1 Center 580 MHz

IFBW 70 kHz

Span 100 MHz Cor !