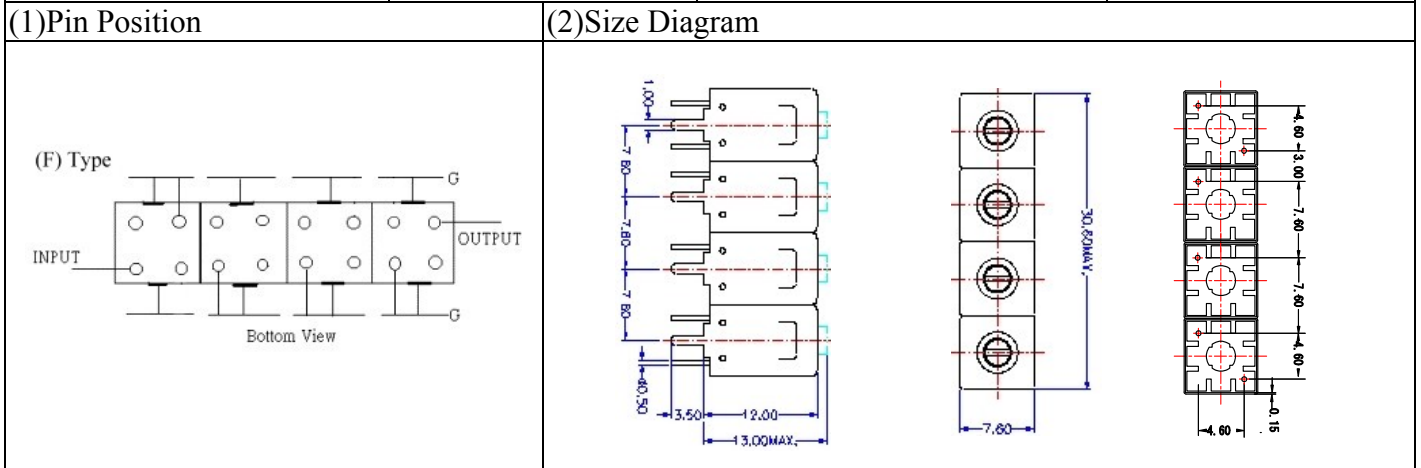
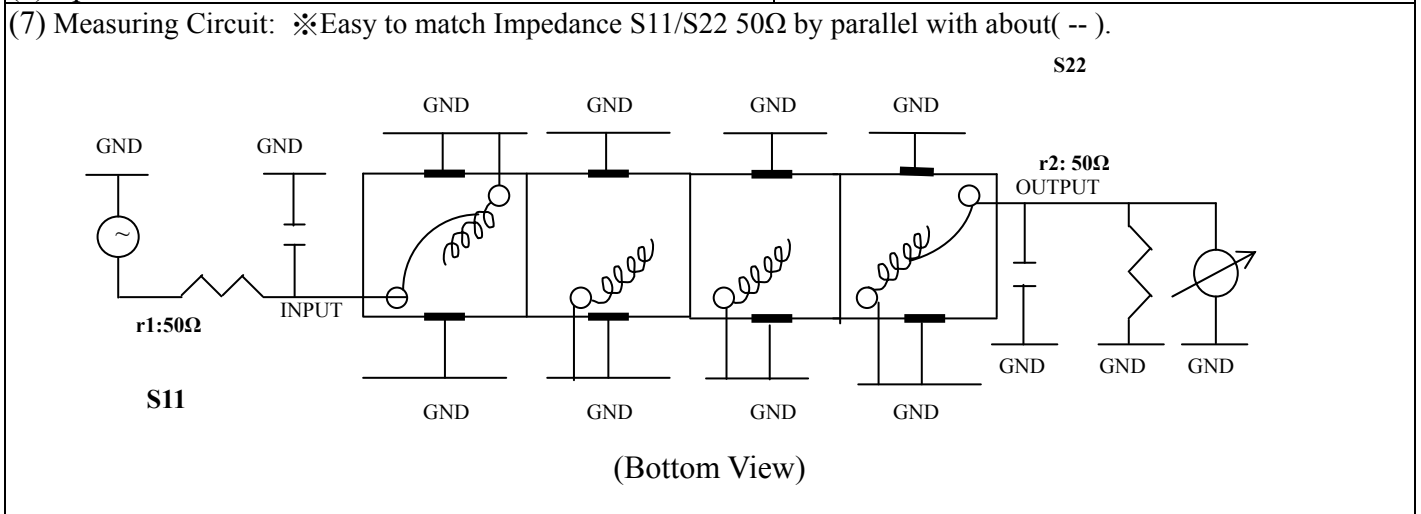


# VHF UHF Helical Filter Specification Sheet

Customer Name		Temwell's Part No.	TF6906F-260M
Approval No. /dated	201702019CD	Temwell's Print name	6906F 260M
Work Instruction No.	201702019CD	Date	Feb.20.2017



(3) Electric Characteristic					
Item		Specify		Performance	
Center Freq.(Fo) +/- 0.5 %		260 MHz		260 MHz	
Insertion Loss		Typ. 3.0 dB		2.23 dB	
-3 dB Bandwidth		Typ. 15 MHz		17.7 MHz	
Sensitivity (Attenuation)	Fo - (50) MHz	Typ. 65 dBc		77 dBc	
	Fo + (50) MHz	Typ. 45 dBc		52 dBc	
	Fo - ( ) MHz	Typ. dBc		dBc	
	Fo + ( ) MHz	Typ. dBc		dBc	
Return Loss		Min. 12 dB		22.4 dB	
Ripple		< 1 dB		dB	
Impedance		In / Out : 50 Ω		In / Out : 50 Ω	
(4) Torque for Tuning Screw		> 60gf • cm			
(5) Temperature Condition:					
Operating Temperature		0°C ~ +60°C			
Storage Temperature		-20°C ~ +70°C			
(6) Input Power		> 1 Watt			

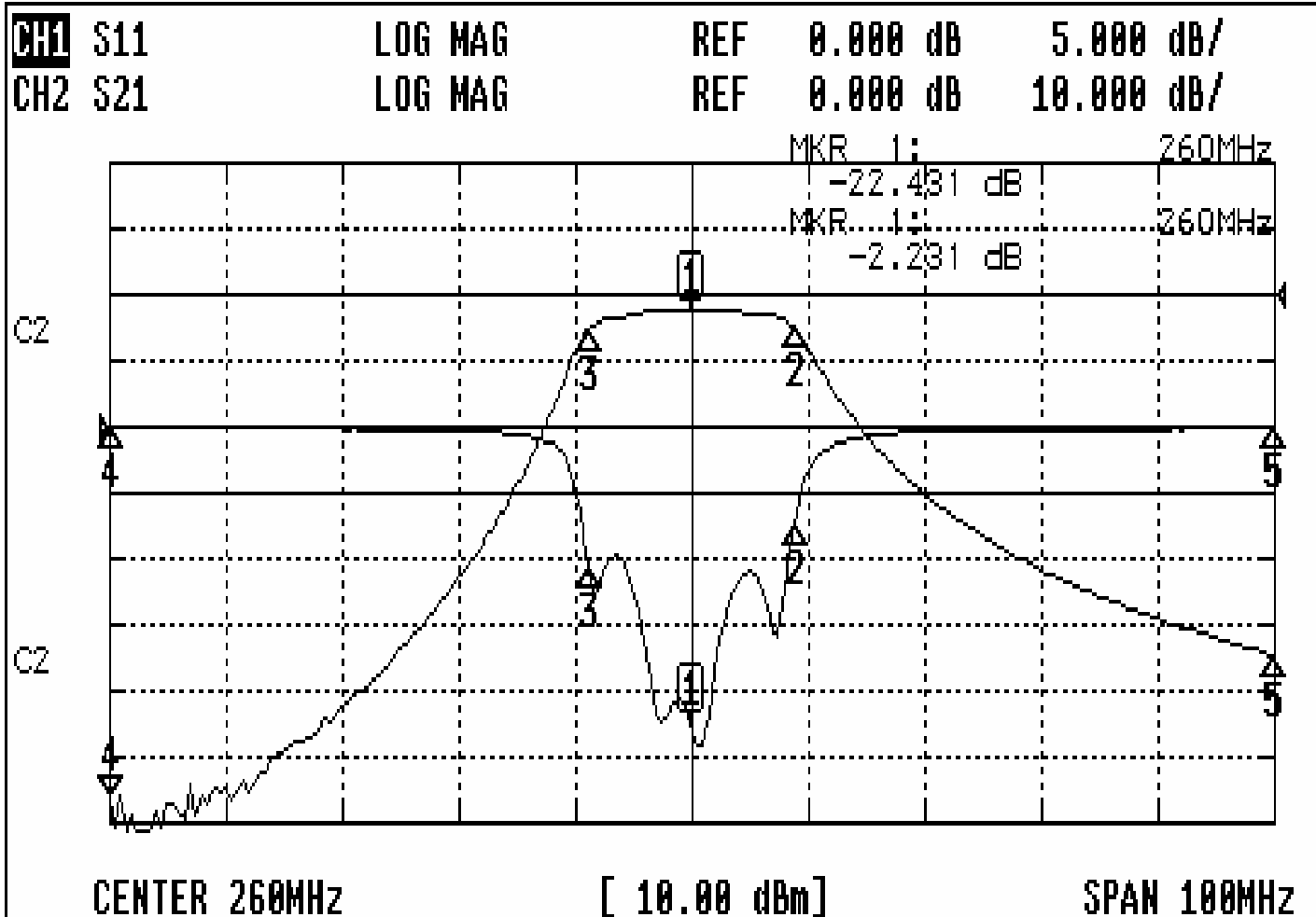


Approval	Supervisor	Designer	Aperture size
C.Y.Chang	C.K.Chang	C.H.Yeh	7H4S(4*6.8)(6.83) 7H024LB4 (J1)

TEMWELL CORPORATION

# Performance-TF6906F-260M

## 201702019CD



CH1 MARKER LIST			
1:	260.000MHz	-22.431	dB
2:	268.860MHz	-7.184	dB
3:	251.151MHz	-10.490	dB
4:	210.000MHz	-0.087	dB
5:	310.000MHz	-0.131	dB

CH2 MARKER LIST			
1:	260.000MHz	-2.230	dB
2:	268.860MHz	-1.235	dB
3:	251.151MHz	-1.226	dB
4:	210.000MHz	-0.068	dB
5:	310.000MHz	-54.428	dB