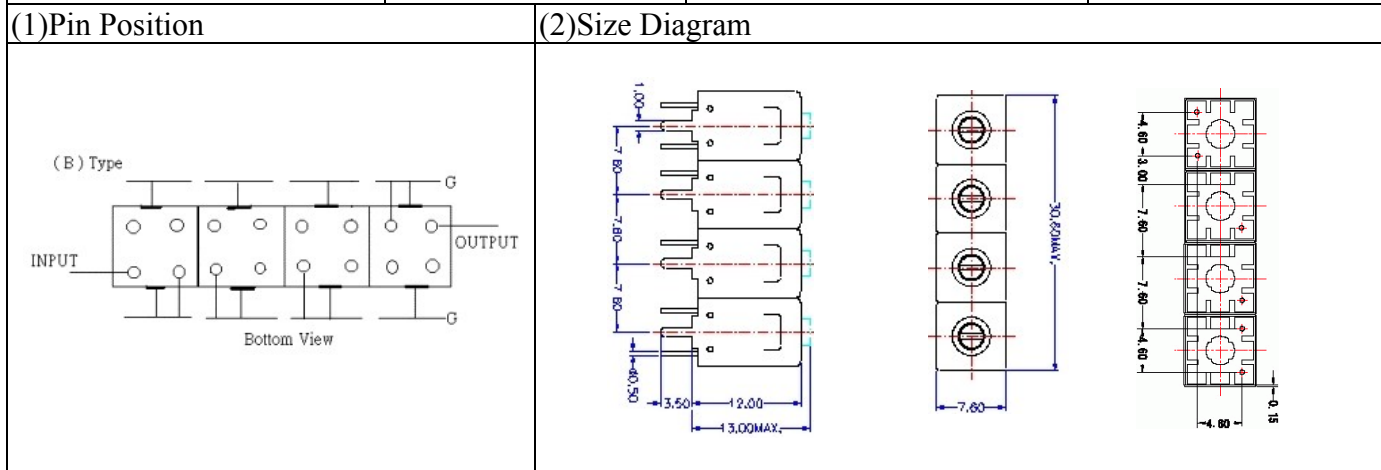


VHF UHF Helical Filter Specification Sheet

Customer Name		Temwell's Part No.	TF6499B-157M
Approval No. /dated	0711091APR	Acceptable Fo Specify Range	146~165MHz
Work Instruction No.	0711091BD	Date	Dec.04.2007



(3) Electric Charasteric

Item	Specify	Performance	
Center Freq.(Fo) +/- 0.5 %	157 MHz	157 MHz	
Insertion Loss	Typ. 2.0 dB	1.22 dB	
-3 dB Bandwidth	Typ. 34 MHz	36.8 MHz	
Sensitivity (Attenuation)	Fo - 30 MHz	Typ. 24 dBc	27 dBc
	Fo + 30 MHz	Typ. 17 dBc	20 dBc
	Fo - ()MHz	Typ. dBc	dBc
	Fo +()MHz	Typ. dBc	dBc
Return Loss	Min. 12 dB	21.2 dB	
Ripple	< 1 dB	dB	
Impedance	In / Out : 50 Ω	In / Out : 50 Ω	

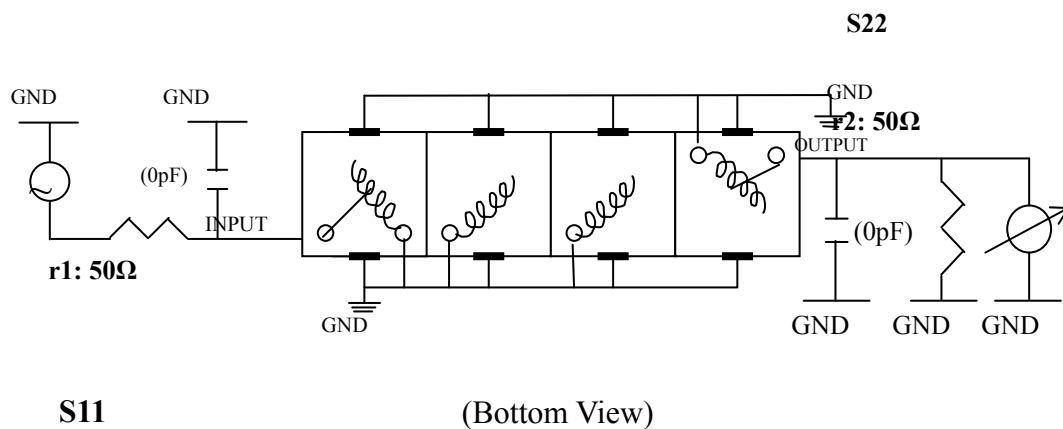
(4) Torque for Tuning Screw > 100gf · cm

(5) Temperature Condition:

Operating Temperature	0°C ~ +60°C
Storage Temperature	-20°C ~ +70°C

(6) Input Power > 1Watt

(7) Measuring Circuit: ※Easy to match Impedance S11/S22 50Ω/ by parallel with about(0 pF) / (0 pF).



Approval	Supervisor	Designer	Aperture size
C.Y.Chang	C.S.Chang	C.S.Chang	7H4(4*6.5)F 7H024RB6.5

TEMWELL CORPORATION

Performance-TF6499B-157M

0711091BD

