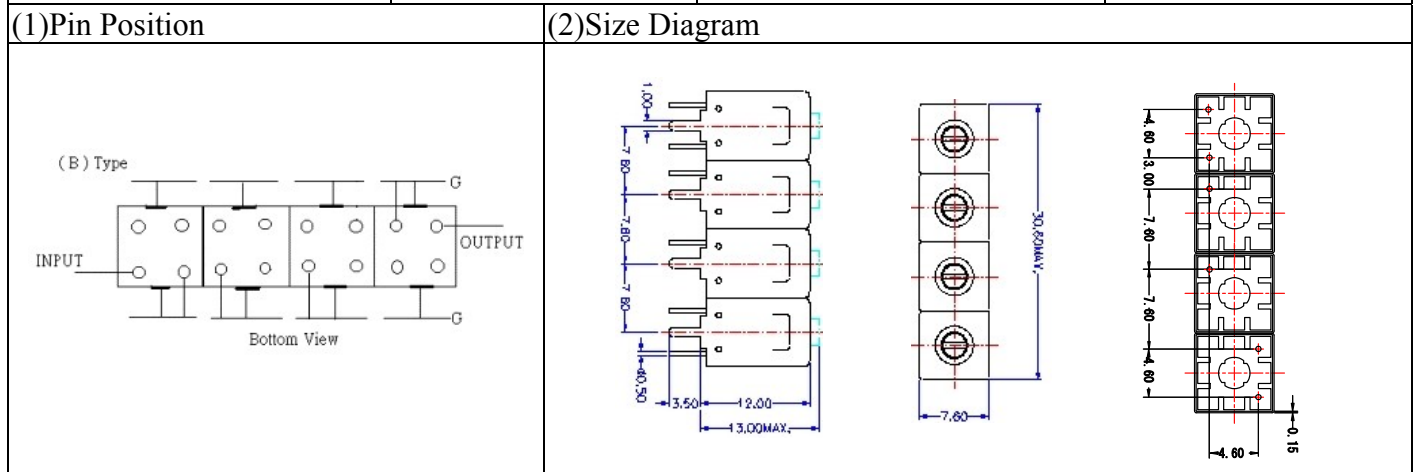


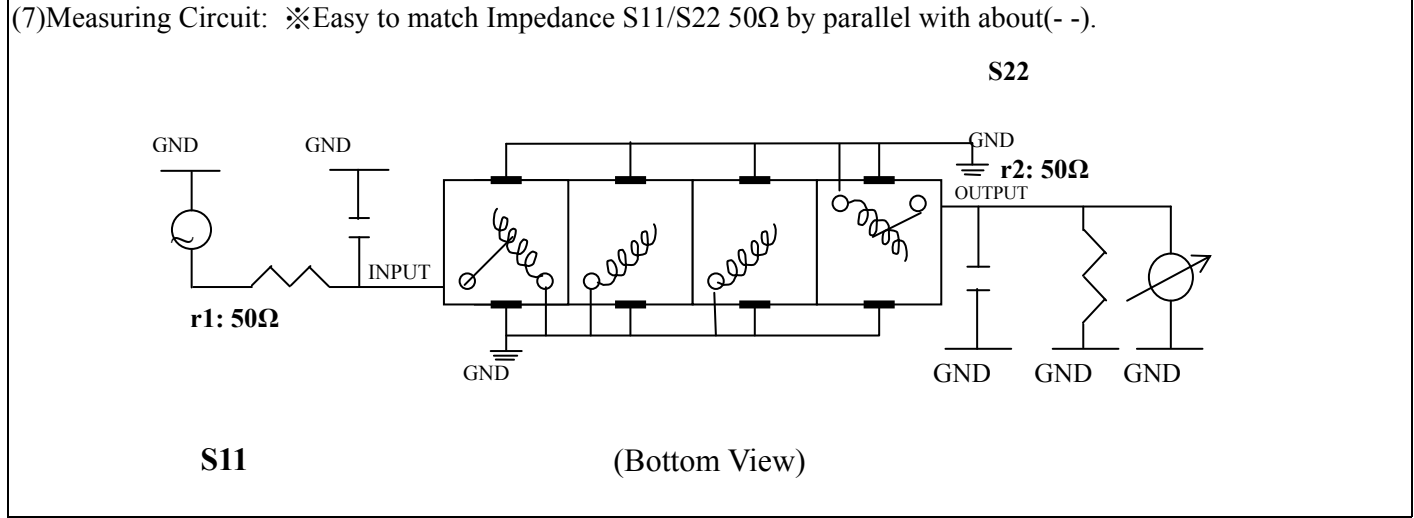
VHF UHF Helical Filter Specification Sheet

Customer Name		Temwell's Part No.	TF6497B-352M
Approval No. /dated	201702031CD	Temwell's Print Name	6497B 352M
Work Instruction No.	201702031CD	Date	Feb.20.2017



(3) Electric Characteristic			
Item		Specify	Performance
Center Freq.(Fo) +/- 0.5 %		352 MHz	352 MHz
Insertion Loss		Typ. 2.0 dB	1.06 dB
-3 dB Bandwidth		Typ. 55 MHz	63.5 MHz
Sensitivity (Attenuation)	Fo - 100 MHz	Typ. 50 dBc	58 dBc
	Fo + 100 MHz	Typ. 35 dBc	38 dBc
	Fo - ()MHz	Typ. dBc	dBc
	Fo + ()MHz	Typ. dBc	dBc
Return Loss		Min. 12 dB	18.8 dB
Ripple		< 1 dB	dB
Impedance		In / Out : 50 Ω	In / Out : 50 Ω
(4) Torque for Tuning Screw		> 60gf · cm	

(5) Temperature Condition:	
Operating Temperature	0°C ~ +60°C
Storage Temperature	-20°C ~ +70°C
(6) Input Power	> 1Watt



Approval	Supervisor	Designer	Aperture size
C.Y.Chang	C.K.Chang	C.S.Chang	7H4S(4*6.5)(6.56) 7H046RB6.5
TEMWELL CORPORATION			

Performance-TF6497B-352M

201702031CD

Tr1 S11 Log Mag 5.000dB/ Ref 0.000dB [F2]
Tr2 S21 Log Mag 10.00dB/ Ref 0.000dB [F2]

