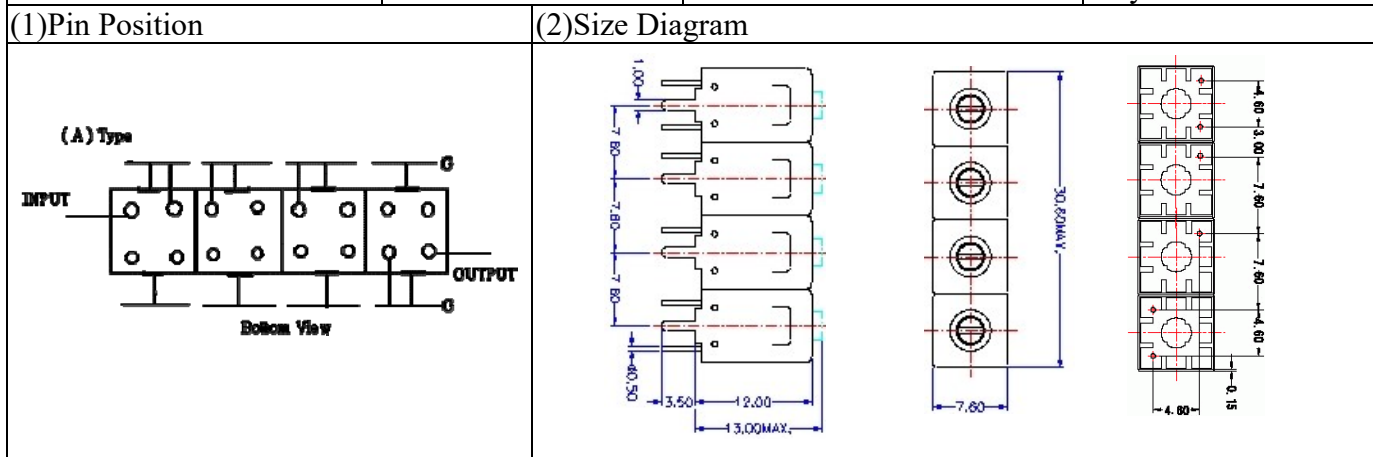


VHF UHF Helical Filter Specification Sheet

Customer Name		Temwell's Part No.	TF64944A-897.5M-35M
Approval No. /dated	201904037CD	Temwell's Print Name	64944A 897.5M
Work Instruction No.	201904037CD	Date	May.13.2019



(3) Electric Characteristic

Item	Specify	Performance	
Center Freq.(Fo) +/- 0.5 %	897.5 MHz	897.5 MHz	
Insertion Loss	Typ. 4.0 dB	2.71 dB	
-3 dB Bandwidth	Typ. 35 MHz	37.3 MHz	
Sensitivity (Attenuation)	Fo - 100 MHz	Typ. 61 dBc	71 dBc
	Fo + 100 MHz	Typ. 52 dBc	57 dBc
	Fo - ()MHz	Typ. dBc	dBc
	Fo +()MHz	Typ. dBc	dBc
Return Loss	Min. 12 dB	31.8 dB	
Ripple	< 1 dB	dB	
Impedance	In / Out : 50 Ω	In / Out : 50 Ω	

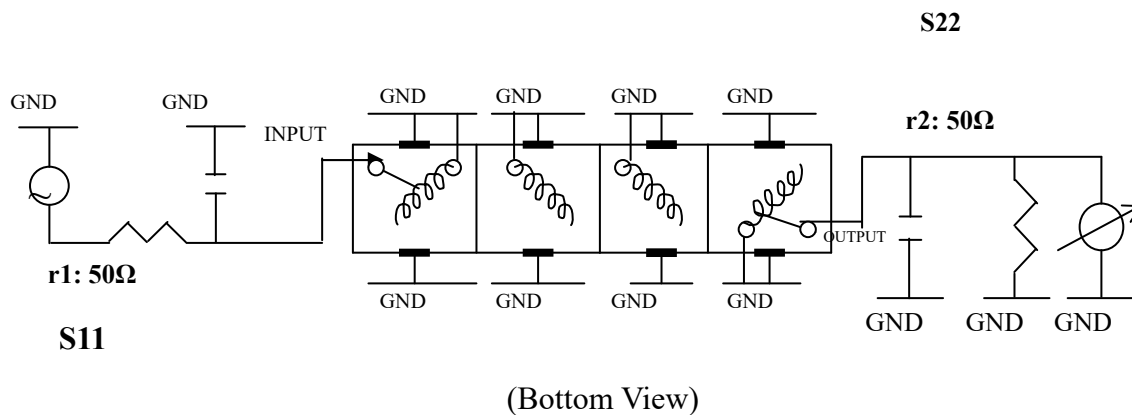
(4) Torque for Tuning Screw > 60gf · cm

(5) Temperature Condition:

Operating Temperature	0°C ~ +60°C
Storage Temperature	-20°C ~ +70°C

(6) Input Power > 1Watt

(7) Measuring Circuit: ※Easy to match Impedance S11/S22 50Ω by parallel with about(- -).

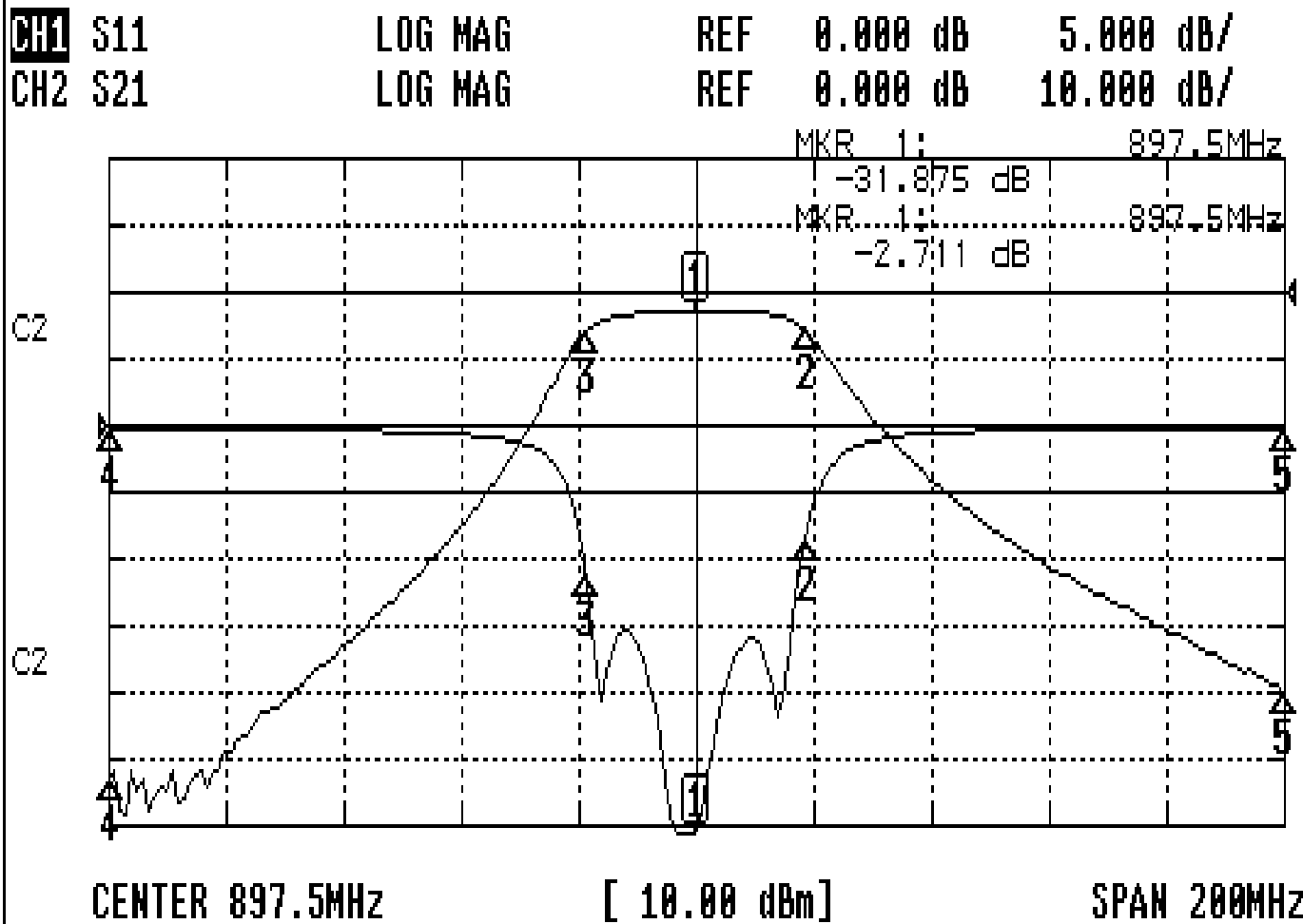


Approval	Supervisor	Designer	Aperture size
C.Y.Chang	C.K.Chang	Z.Y.Wang	7H4S(4*4.65)(4.68) 7H046LB5

TEMWELL CORPORATION

Performance-TF64944A-897.5M-35M

201904037CD



CH1 MARKER LIST

Marker	Frequency (MHz)	Magnitude (dB)
1	897.500	-31.875
2	916.166	-8.231
3	878.833	-11.320
4	797.500	-0.220
5	997.500	-0.249

CH2 MARKER LIST

Marker	Frequency (MHz)	Magnitude (dB)
1	897.500	-2.711
2	916.166	-1.746
3	878.833	-1.764
4	797.500	-1.925
5	997.500	-1.780