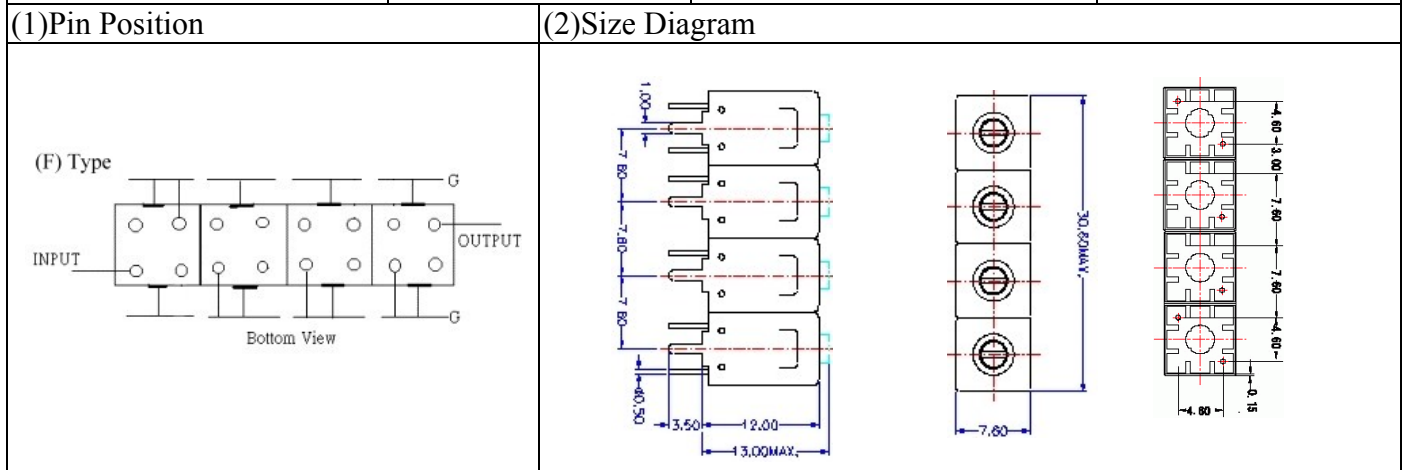


# VHF UHF Helical Filter Specification Sheet

Customer Name		Temwell's Part No.	TF6493F-530M
Approval No. /dated	201206074CD	Temwell's Print Name	6493F 530M
Work Instruction No.	201206074CD	Date	Jun.22.2012



### (3) Electric Characteristic

Item	Specify	Performance
Center Freq.(Fo ) +/- 0.5 %	530 MHz	530 MHz
Insertion Loss	Typ. 2.0 dB	0.79 dB
-3 dB Bandwidth	Typ. 120 MHz	126.2 MHz
Sensitivity (Attenuation)	Fo - (150) MHz	Typ. 47 dBc
	Fo + (150) MHz	Typ. 30 dBc
	Fo - ( ) MHz	Typ. dBc
	Fo + ( ) MHz	Typ. dBc
Return Loss	Min. 12 dB	22.8 dB
Ripple	< 1 dB	dB
Impedance	In / Out : 50 Ω	In / Out : 50 Ω

### (4) Torque for Tuning Screw

> 60gf • cm

### (5) Temperature Condition:

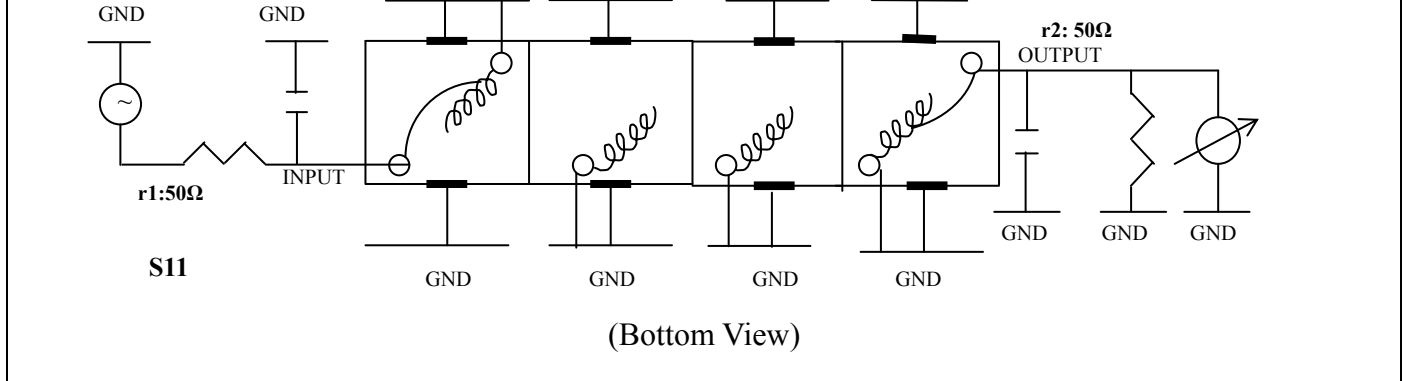
Operating Temperature 0°C ~ +60°C

Storage Temperature -20°C ~ +70°C

### (6) Input Power

> 1Watt

### (7) Measuring Circuit: ※Easy to match Impedance S11/S22 50Ω by parallel with about( -- ).



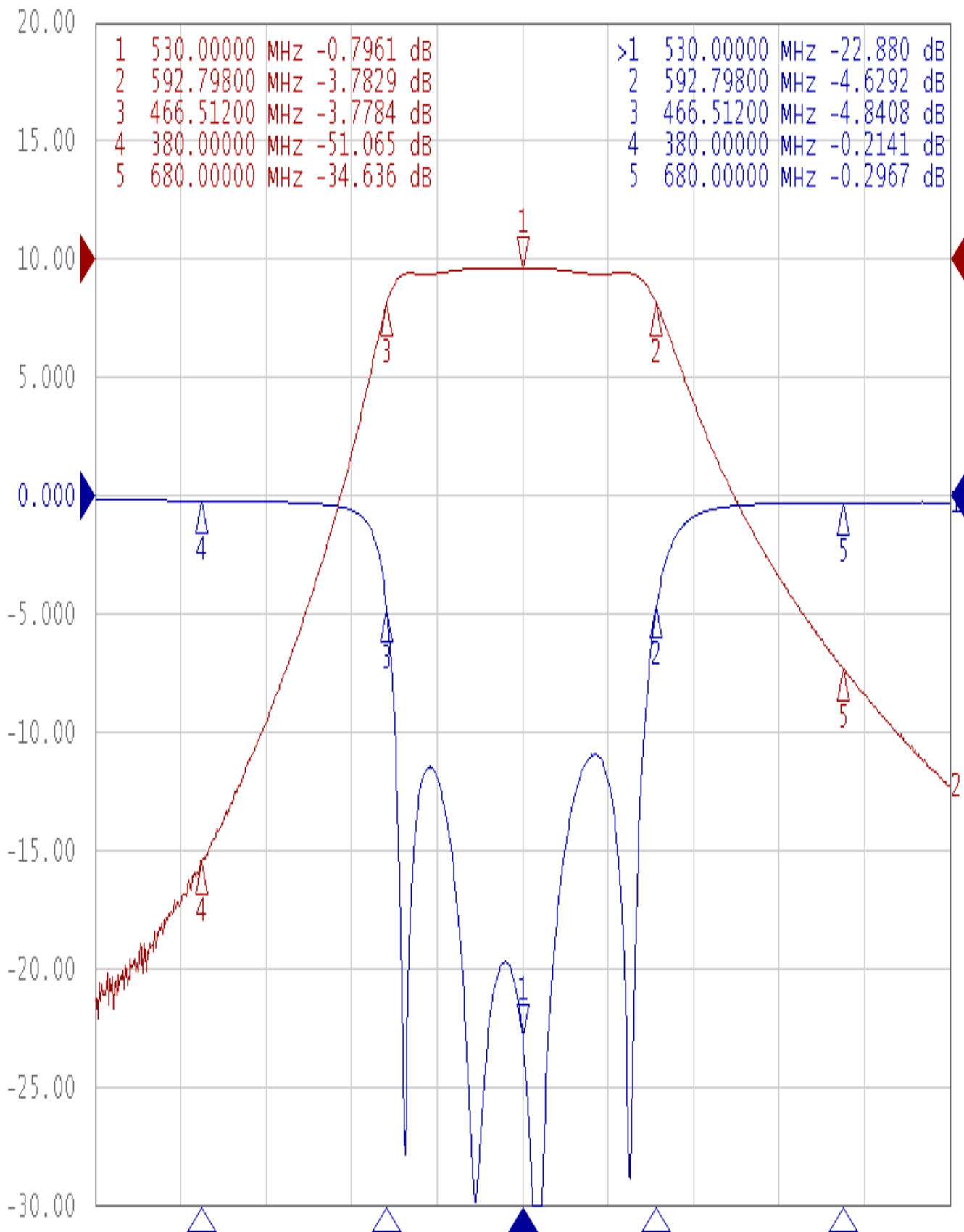
Approval	Supervisor	Designer	Aperture size
C.Y.Chang	C.K.Chang	C.S.Chang	7H4S(4*8.0)(8.04) 7H046RB6.5(J1)

TEMWELL CORPORATION

# Performance-TF6493F-530M

## 201206074CD

▶ Tr1 S11 Log Mag 5.000dB/ Ref 0.000dB [F2]  
Tr2 S21 Log Mag 10.00dB/ Ref 0.000dB [F2]



1 Center 530 MHz

IFBW 10 kHz

Span 400 MHz Cor !