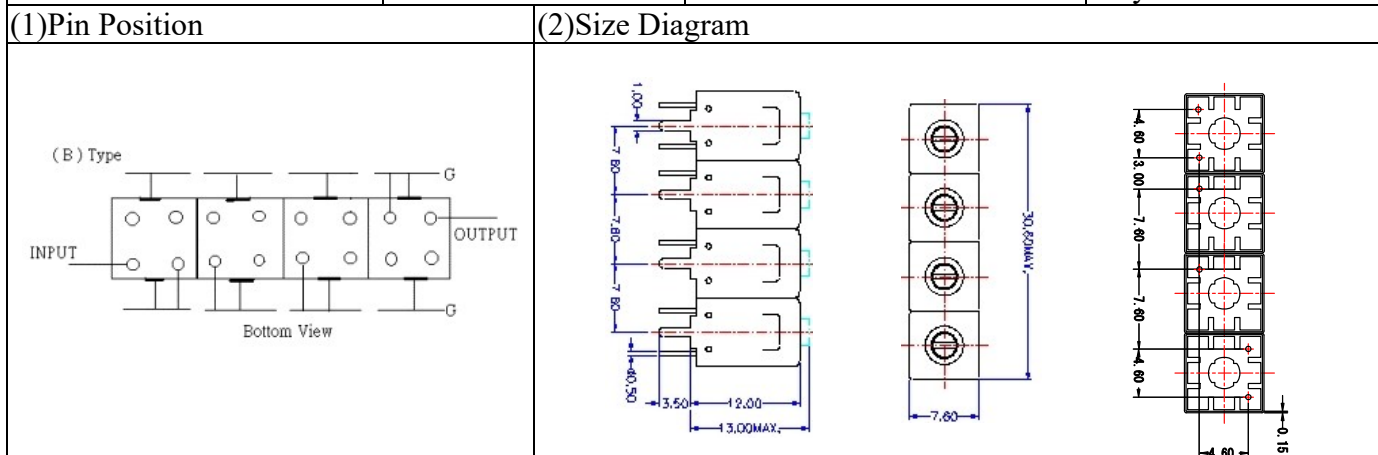


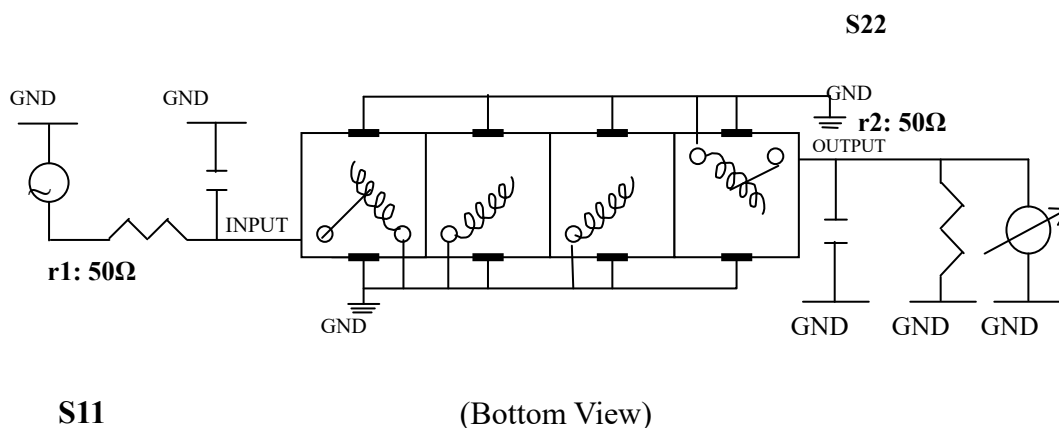
VHF UHF Helical Filter Specification Sheet

Customer Name		Temwell's Part No.	TF64936B-1429.5M
Approval No. /dated	201905036CD	Temwell's Print Name	64936B 1429.5M
Work Instruction No.	201905036CD	Date	May.15.2019



(3)Electric Charasteric			
Item	Specify	Performance	
Center Freq.(Fo) +/- 0.5 %	1429.5 MHz	1429.5 MHz	
Insertion Loss	Typ. 13.5 dB	12.08 dB	
-3 dB Bandwidth	Typ. 5 MHz	10.7 MHz	
Sensitivity (Attenuation)	Fo - 50 MHz	Typ. 56 dBc	66 dBc
	Fo + 50 MHz	Typ. 39 dBc	44 dBc
	Fo - ()MHz	Typ. dBc	dBc
	Fo +()MHz	Typ. dBc	dBc
Return Loss	Min. 12 dB	20.7 dB	
Ripple	< 1 dB	dB	
Impedance	In / Out : 50 Ω	In / Out : 50 Ω	
(4)Torque for Tuning Screw	> 60gf · cm		
(5)Temperature Condition:			
Operating Temperature	0°C ~ +60°C		
Storage Temperature	-20°C ~ +70°C		
(6)Input Power	> 1Watt		

(7)Measuring Circuit: ※Easy to match Impedance S11/S22 50Ω by parallel with about(- -).



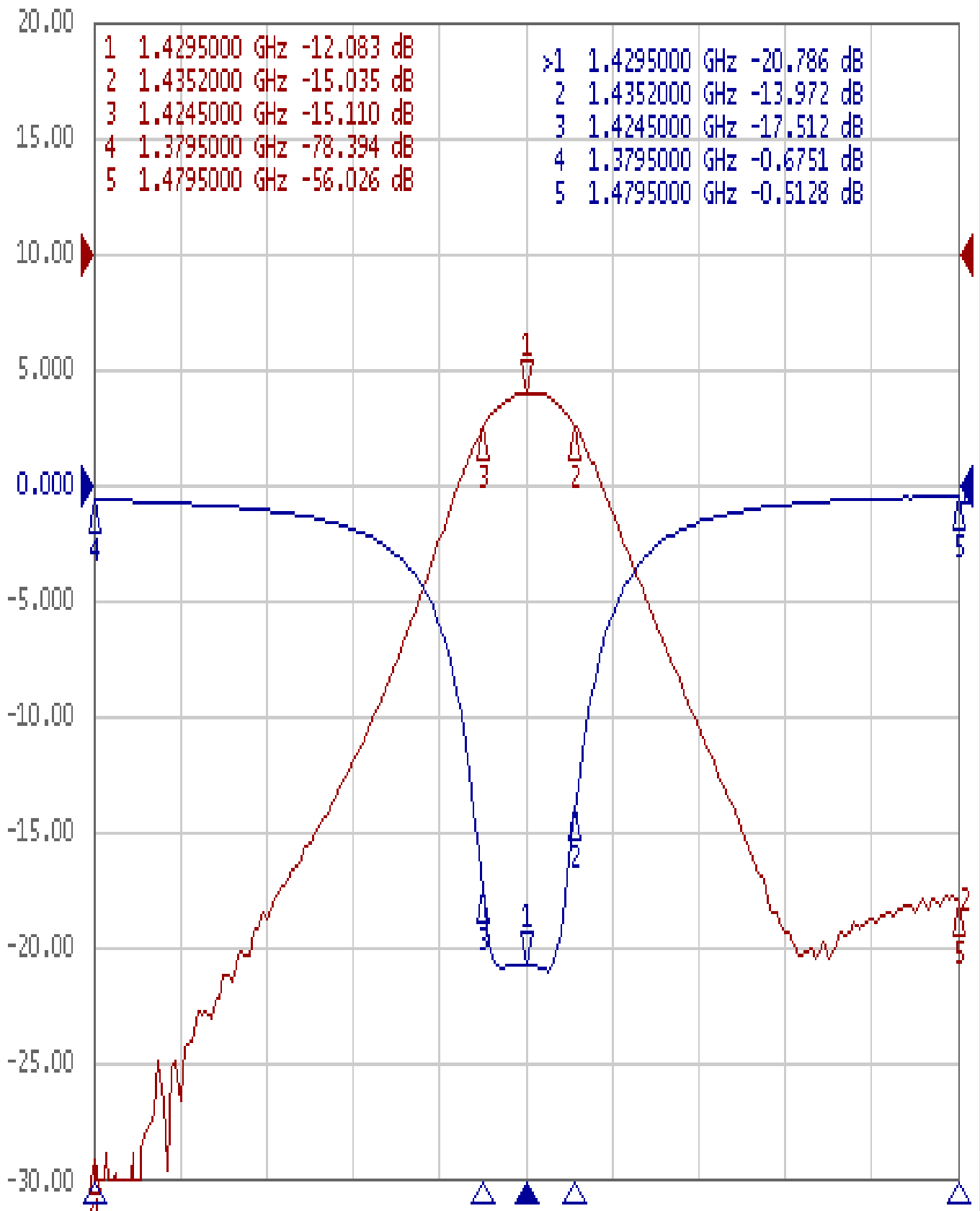
Approval	Supervisor	Designer	Aperture size
C.Y.Chang	C.K.Chang	W.W.Wang	7H4S(4*4.5)(4.52) 7H046RB4.3 聚 3(J1)

TEMWELL CORPORATION

Performance-TF64936B-1429.5M

201905036CD

Tr1 S11 Log Mag 5.000dB/ Ref 0.000dB [F2]
Tr2 S21 Log Mag 10.00dB/ Ref 0.000dB [F2]



1 Center 1.4295 GHz

IFBW 70 kHz

Span 100 MHz Cor