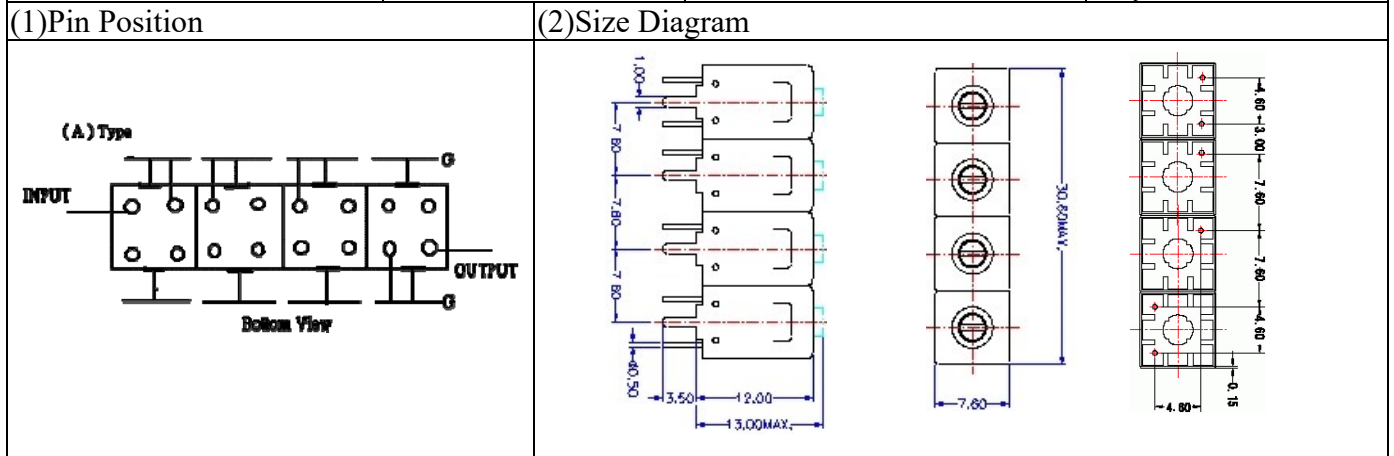


VHF UHF Helical Filter Specification Sheet

Customer Name		Temwell's Part No.	TF64933A-938.5M
Approval No. /dated	201904043CD	Temwell's Print Name	64933A 938.5M
Work Instruction No.	201904043CD	Date	May.14.2019

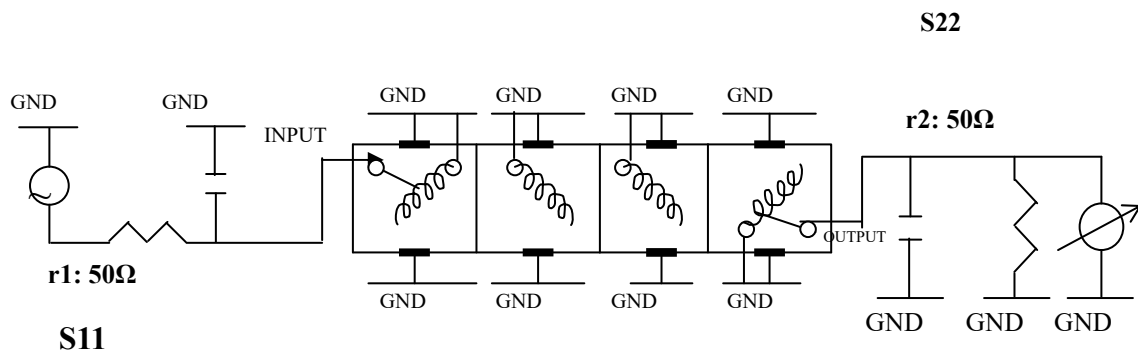


(3)Electric Charasteric			
Item	Specify	Performance	
Center Freq.(Fo) +/- 0.5 %	938.5 MHz	938.5 MHz	
Insertion Loss	Typ. 3.5 dB	2.44 dB	
-3 dB Bandwidth	Typ. 43 MHz	47.0 MHz	
Sensitivity (Attenuation)	Fo - 50 MHz	Typ. 33 dBc	38 dBc
	Fo + 50 MHz	Typ. 21 dBc	25 dBc
	Fo - ()MHz	Typ. dBc	dBc
	Fo +()MHz	Typ. dBc	dBc
Return Loss	Min. 12 dB	16.8 dB	
Ripple	< 1 dB	dB	
Impedance	In / Out : 50 Ω	In / Out : 50 Ω	
(4)Torque for Tuning Screw	> 60gf • cm		

(5)Temperature Condition:	
Operating Temperature	0°C ~ +60°C
Storage Temperature	-20°C ~ +70°C

(6)Input Power	> 1Watt
----------------	---------

(7) Measuring Circuit: ※Easy to match Impedance S11/S22 50Ω by parallel with about(- -).



(Bottom View)

Approval	Supervisor	Designer	Aperture size
C.Y.Chang	C.K.Chang	C.S.Chang	7H4S(4*7.5)(7.52) 7H046LB4.5 聚 2

TEMWELL CORPORATION

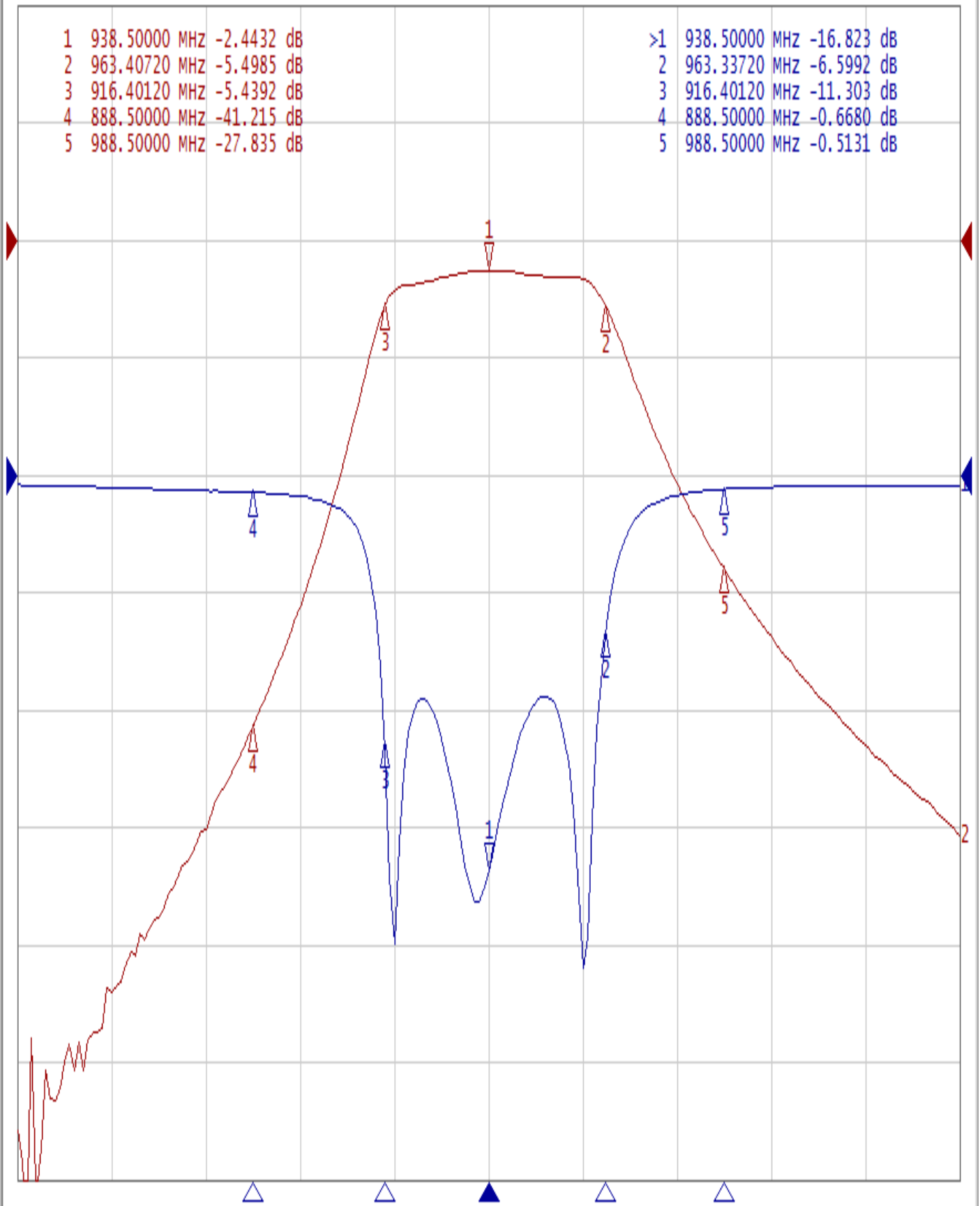
Performance-TF64933A-938.5M

201904043CD

Tr1 S11 Log Mag 5.000dB/ Ref 0.000dB [F2]
Tr2 S21 Log Mag 10.00dB/ Ref 0.000dB [F2]

1	938.50000 MHz	-2.4432 dB
2	963.40720 MHz	-5.4985 dB
3	916.40120 MHz	-5.4392 dB
4	888.50000 MHz	-41.215 dB
5	988.50000 MHz	-27.835 dB

>1	938.50000 MHz	-16.823 dB
2	963.33720 MHz	-6.5992 dB
3	916.40120 MHz	-11.303 dB
4	888.50000 MHz	-0.6680 dB
5	988.50000 MHz	-0.5131 dB



1 Center 938.5 MHz

IFBW 70 kHz

Span 200 MHz Cor |