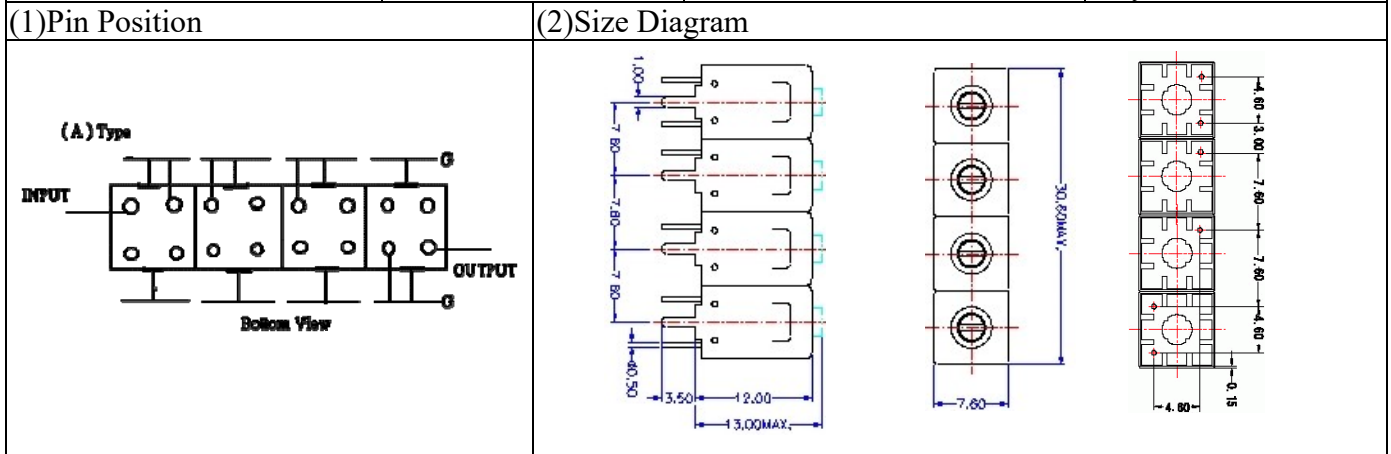


VHF UHF Helical Filter Specification Sheet

Customer Name		Temwell's Part No.	TF64932A-937.5M
Approval No. /dated	201904042CD	Temwell's Print Name	64932A 937.5M
Work Instruction No.	201904042CD	Date	May.17.2019



(3)Electric Charasteric

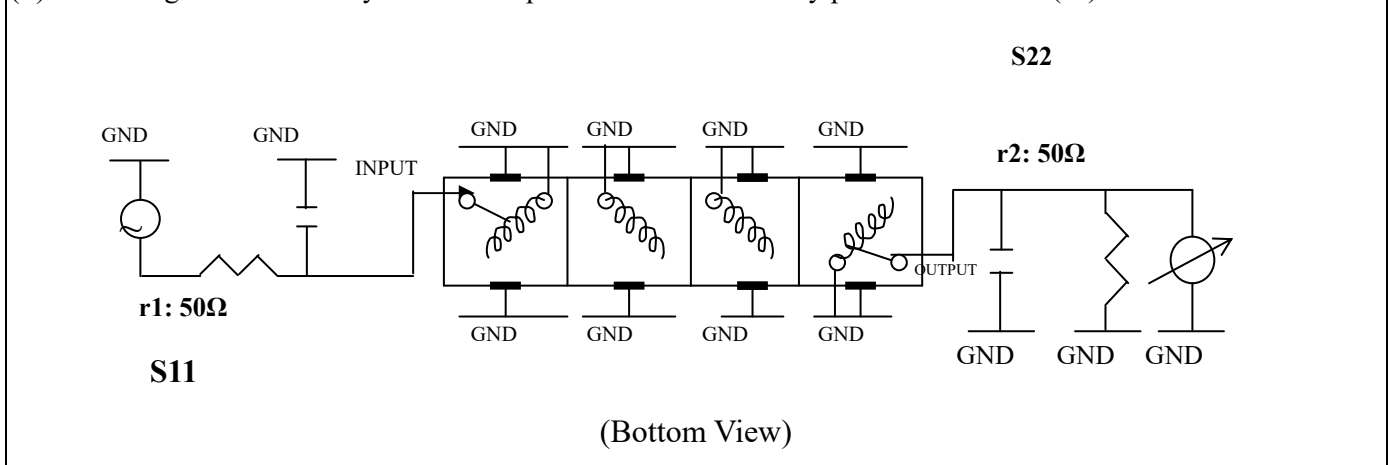
Item	Specify	Performance	
Center Freq.(Fo) +/- 0.5 %	937.5 MHz	937.5 MHz	
Insertion Loss	Typ. 11 dB	9.57 dB	
-3 dB Bandwidth	Typ. 5 MHz	8.63 MHz	
Sensitivity (Attenuation)	Fo - 10 MHz	Typ. 18 dBc	23 dBc
	Fo + 10 MHz	Typ. 13 dBc	18 dBc
	Fo - ()MHz	Typ. dBc	dBc
	Fo +()MHz	Typ. dBc	dBc
Return Loss	Min. 12 dB	25.9 dB	
Ripple	< 1 dB	dB	
Impedance	In / Out : 50 Ω	In / Out : 50 Ω	
(4)Torque for Tuning Screw	> 60gf • cm		

(5)Temperature Condition:

Operating Temperature	0°C ~ +60°C
Storage Temperature	-20°C ~ +70°C

(6)Input Power

(7) Measuring Circuit: ※Easy to match Impedance S11/S22 50Ω by parallel with about(- -).



Approval C.Y.Chang	Supervisor C.K.Chang	Designer C.S.Chang	Aperture size 7H4S(4*4.5)(4.53) 7H046LB4.3 聚 3
-----------------------	-------------------------	-----------------------	--

TEMWELL CORPORATION

Performance-TF64932A-937.5M

201904042CD

