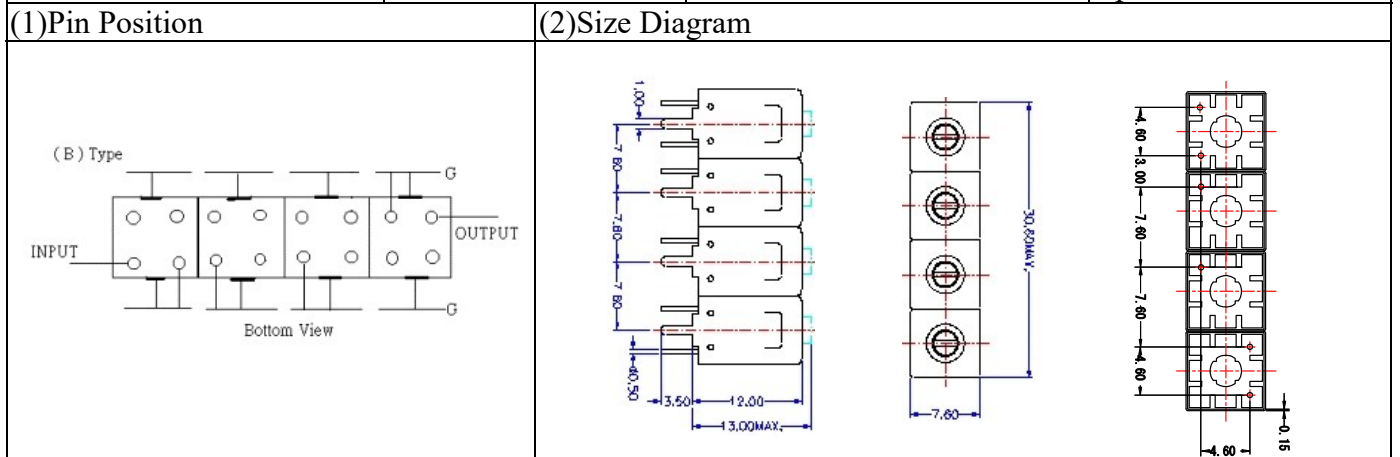


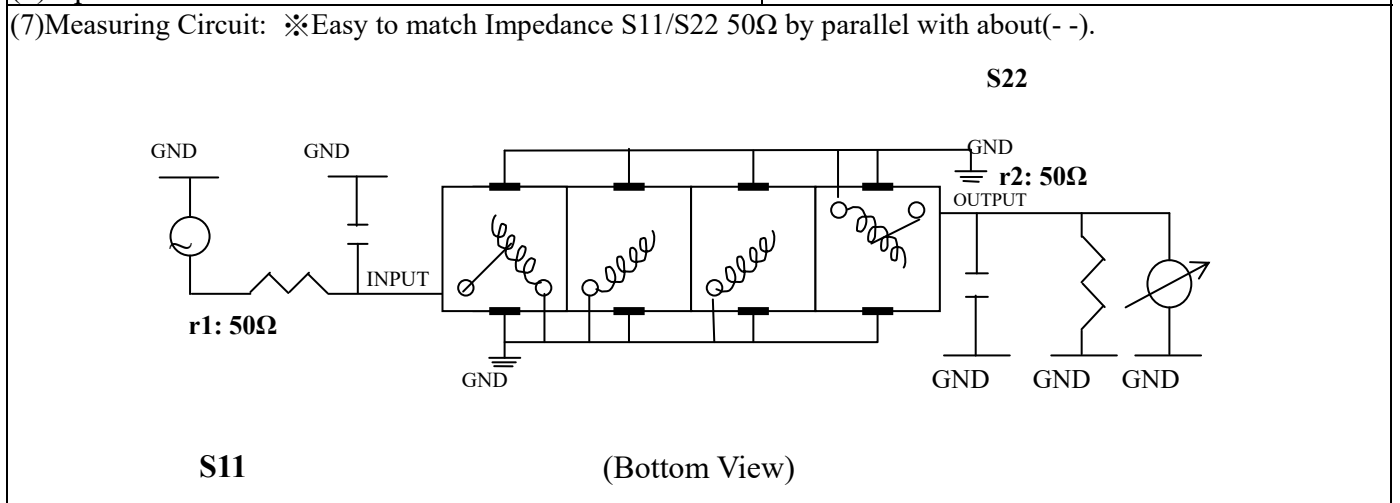
VHF UHF Helical Filter Specification Sheet

Customer Name		Temwell's Part No.	TF64921B-782M
Approval No. /dated	201903005CD	Temwell's Print Name	64921B 782M
Work Instruction No.	201903005CD	Date	Apr.12.2019



(3) Electric Chararistic		Specify	Performance
Item			
Center Freq.(Fo) +/- 0.5 %		782 MHz	782 MHz
Insertion Loss		Typ. 6.0 dB	5.59 dB
-3 dB Bandwidth		Typ. 10 MHz	11.5 MHz
Sensitivity (Attenuation)	Fo - 50 MHz	Typ. 63 dBc	73 dBc
	Fo + 50 MHz	Typ. 57 dBc	67 dBc
	Fo - ()MHz	Typ. dBc	dBc
	Fo + ()MHz	Typ. dBc	dBc
Return Loss		Min. 12 dB	25.7 dB
Ripple		< 1 dB	dB
Impedance		In / Out : 50 Ω	In / Out : 50 Ω
(4) Torque for Tuning Screw		> 60gf · cm	

(5) Temperature Condition:	
Operating Temperature	0°C ~ +60°C
Storage Temperature	-20°C ~ +70°C
(6) Input Power	> 1 Watt



Approval	Supervisor	Designer	Aperture size
C.Y.Chang	C.K.Chang	P.H.Chiang	7H4S(4*4.65)(4.68) 7H046RB4.3 聚 3
TEMWELL CORPORATION			

Performance-TF64921B-782M

201903005CD

Tr1 S11 Log Mag 5.000dB/ Ref 0.000dB [F2]
Tr2 S21 Log Mag 10.00dB/ Ref 0.000dB [F2]

