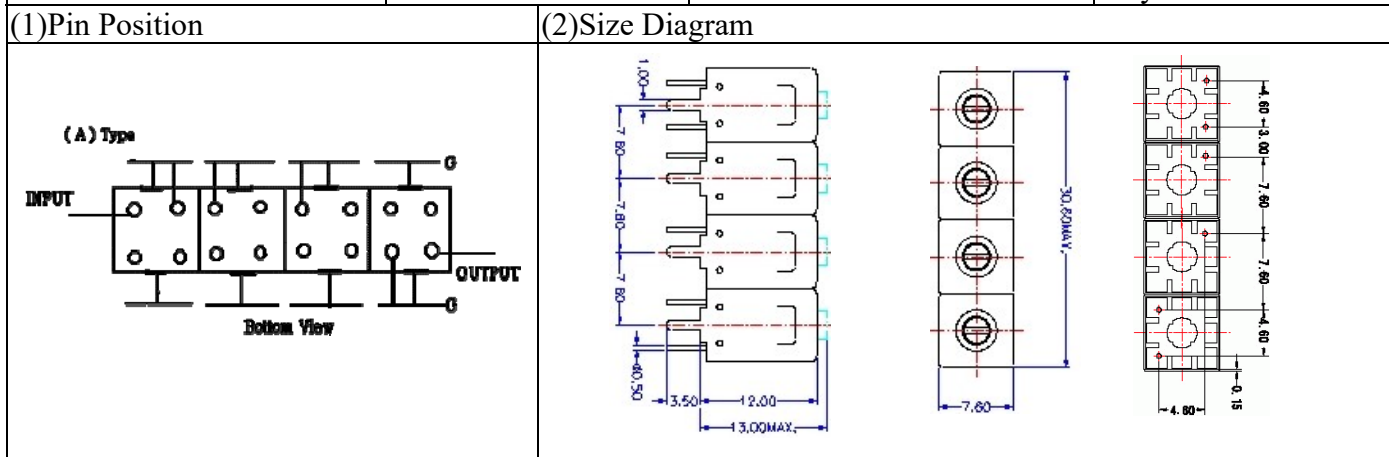


# VHF UHF Helical Filter Specification Sheet

Customer Name		Temwell's Part No.	TF64917A-833M
Approval No. /dated	201904021CD	Temwell's Print Name	64917A 833M
Work Instruction No.	201904021CD	Date	May.10.2019



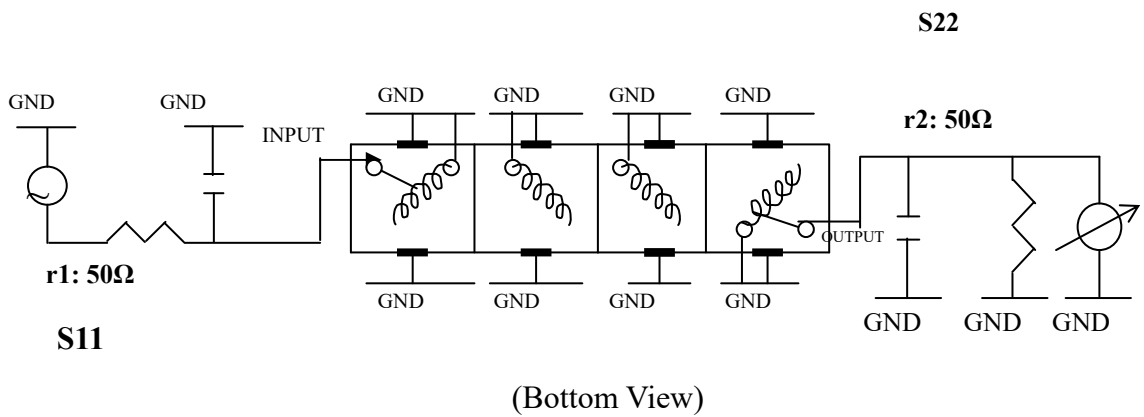
(3)Electric Charasteric			
Item		Specify	Performance
Center Freq.(Fo ) +/- 0.5 %		833 MHz	833 MHz
Insertion Loss		Typ. 11.0 dB	9.74 dB
-3 dB Bandwidth		Typ. 2 MHz	6.5 MHz
Sensitivity (Attenuation )	Fo - 50 MHz	Typ. 52 dBc	62 dBc
	Fo + 50 MHz	Typ. 50 dBc	55 dBc
	Fo - ( )MHz	Typ. dBc	dBc
	Fo +( )MHz	Typ. dBc	dBc
Return Loss		Min. 12 dB	16.2 dB
Ripple		< 1 dB	dB
Impedance		In / Out : 50 Ω	In / Out : 50 Ω

(4)Torque for Tuning Screw > 60gf • cm

(5)Temperature Condition:  
 Operating Temperature 0°C ~ +60°C  
 Storage Temperature -20°C ~ +70°C

(6)Input Power > 1Watt

(7) Measuring Circuit: ※Easy to match Impedance S11/S22 50Ω by parallel with about(- -).

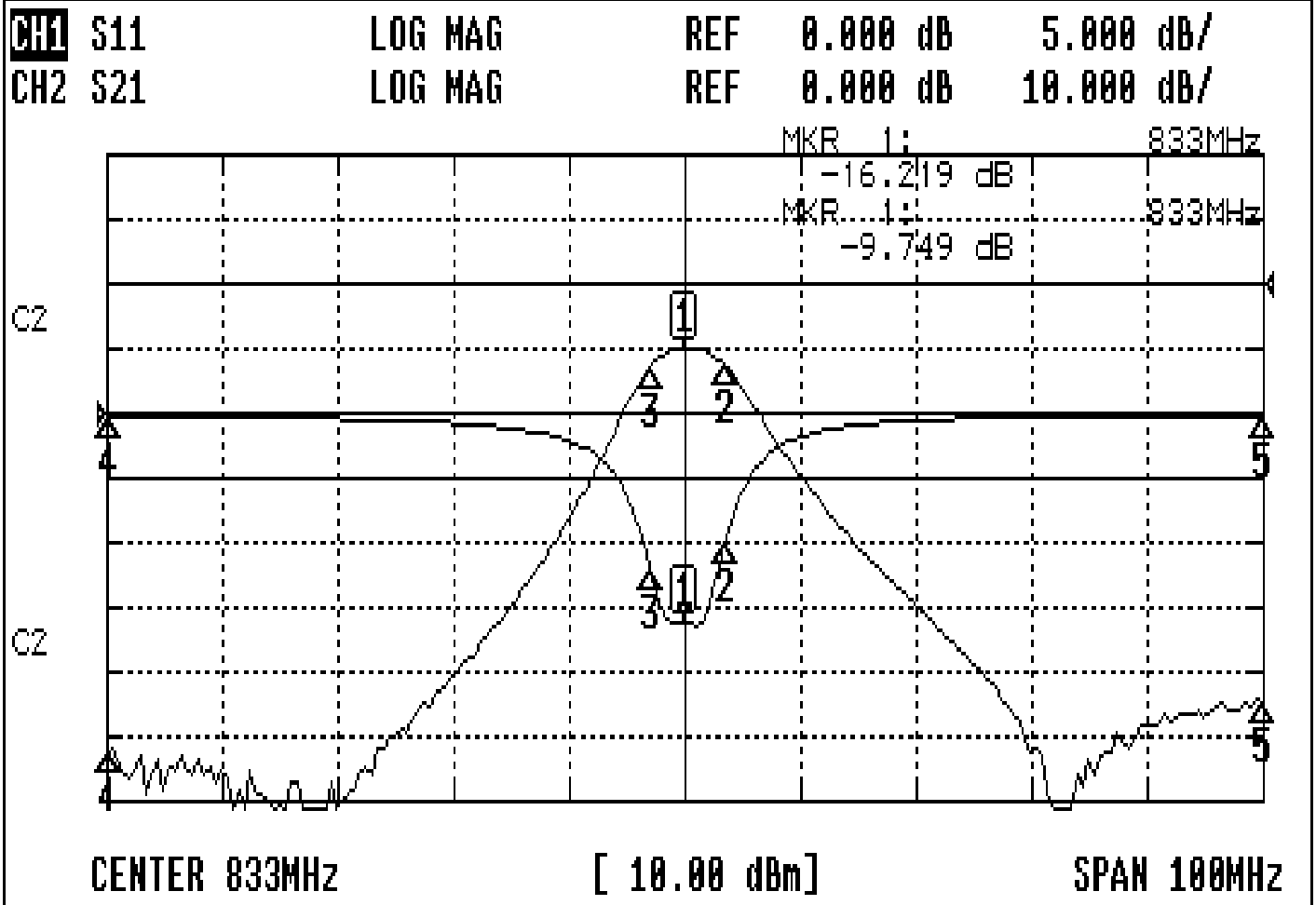


Approval	Supervisor	Designer	Aperture size
C.Y.Chang	C.K.Chang	M.Y.Kang	7H4S(4*4.65)(4.66) 7H046LB4.3 聚 3

TEMWELL CORPORATION

# Performance-TF64917A-833M

## 201904021CD



### CH1 MARKER LIST

1	833.000MHz	-16.219	dB
2	8336.620MHz	-9.722	dB
3	8330.075MHz	-12.141	dB
4	7833.000MHz	-0.266	dB
5	8833.000MHz	-0.229	dB

### CH2 MARKER LIST

1	833.000MHz	-9.749	dB
2	8336.620MHz	-12.782	dB
3	8330.075MHz	-12.738	dB
4	7833.000MHz	-72.215	dB
5	8833.000MHz	-64.983	dB