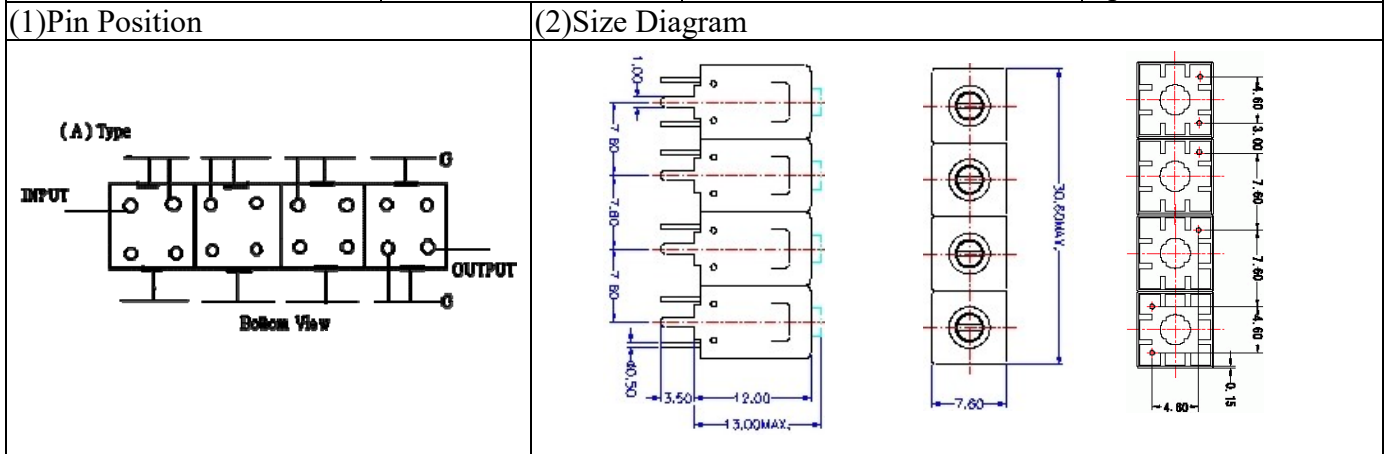


VHF UHF Helical Filter Specification Sheet

Customer Name		Temwell's Part No.	TF64914A-813.5M
Approval No. /dated	201903003CD	Temwell's Print Name	64914A 813.5M
Work Instruction No.	201903003CD	Date	Apr.02.2019



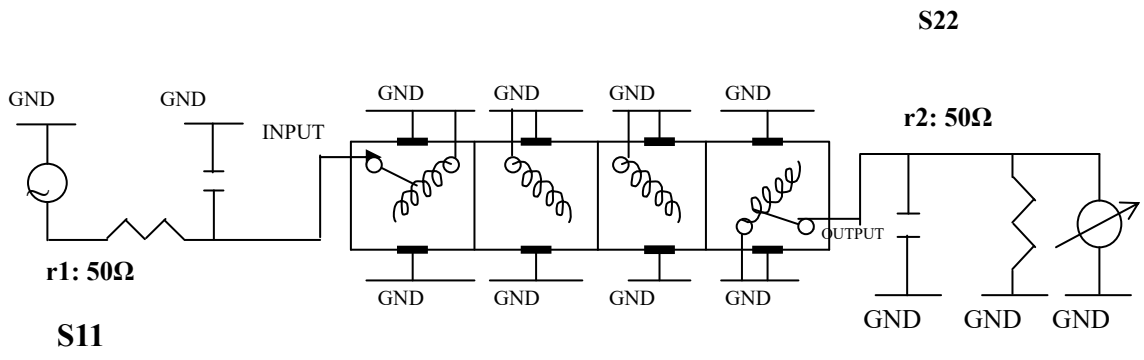
(3) Electric Characteristic		Item	Specify	Performance
Center Freq.(Fo) +/- 0.75 %			813.5 MHz	813.5 MHz
Insertion Loss		Typ.	5.0 dB	3.82 dB
-3 dB Bandwidth		Typ.	15 MHz	17.6 MHz
Sensitivity (Attenuation)	Fo - 50 MHz	Typ.	64 dBc	69 dBc
	Fo + 50 MHz	Typ.	51 dBc	56 dBc
	Fo - ()MHz	Typ.	dBc	dBc
	Fo +()MHz	Typ.	dBc	dBc
Return Loss		Min.	12 dB	27.5 dB
Ripple			< 1 dB	dB
Impedance			In / Out : 50 Ω	In / Out : 50 Ω

(4) Torque for Tuning Screw > 60gf · cm

(5) Temperature Condition:
 Operating Temperature 0°C ~ +60°C
 Storage Temperature -20°C ~ +70°C

(6) Input Power > 1Watt

(7) Measuring Circuit: ※Easy to match Impedance S11/S22 50Ω by parallel with about(- -).



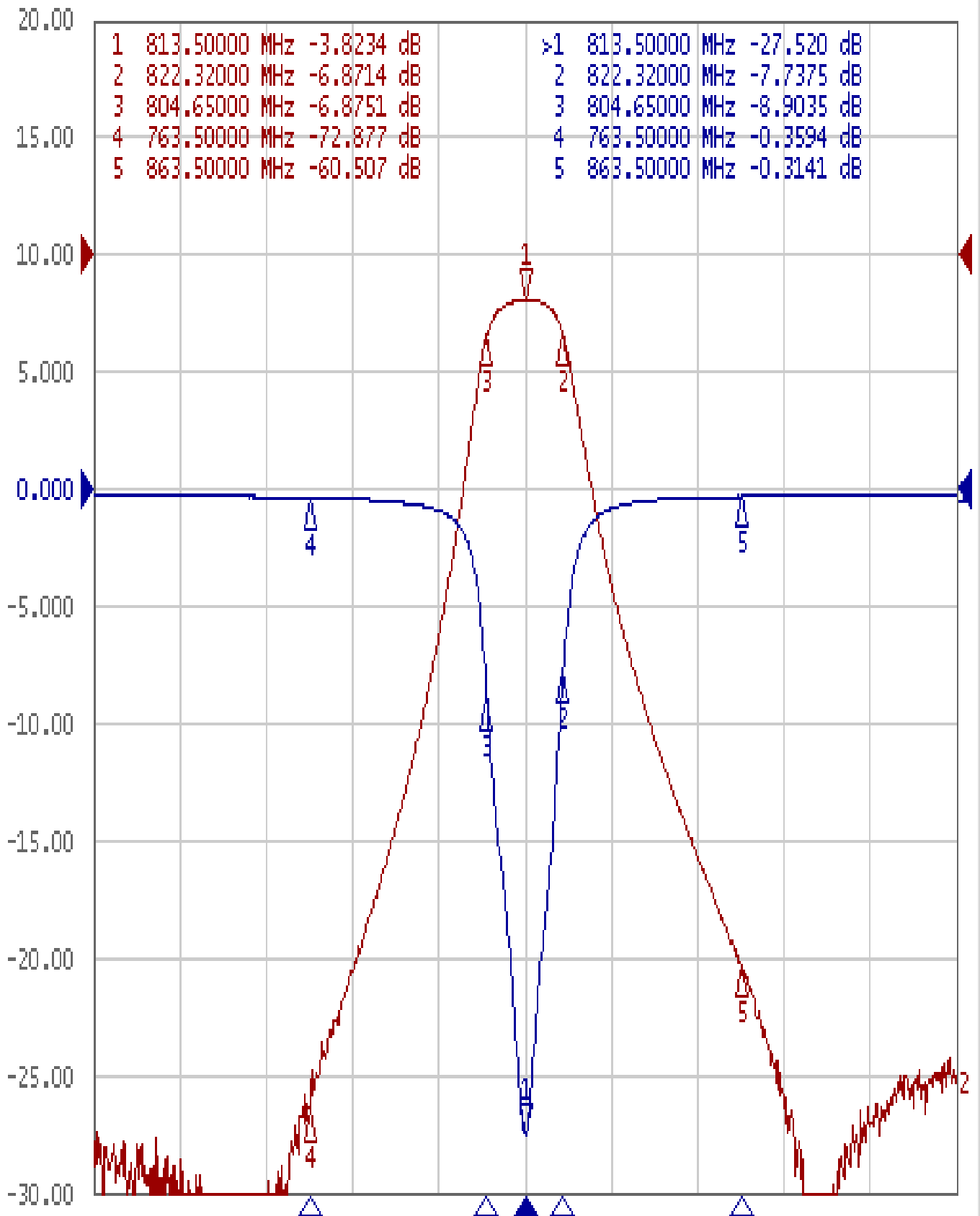
(Bottom View)

Approval C.Y.Chang	Supervisor C.S.Chang	Designer Z.Y.Wang	Aperture size 7H4S(4*5.5)(5.58) 7H046RB4(J2)
-----------------------	-------------------------	----------------------	--

Performance-TF64914A-813.5M

201903003CD

Tr1 S11 Log Mag 5.000dB/ Ref 0.000dB [F2]
Tr2 S21 Log Mag 10.00dB/ Ref 0.000dB [F2]



1 Center 813.5 MHz

IFBW 10 kHz

Span 200 MHz Cor !