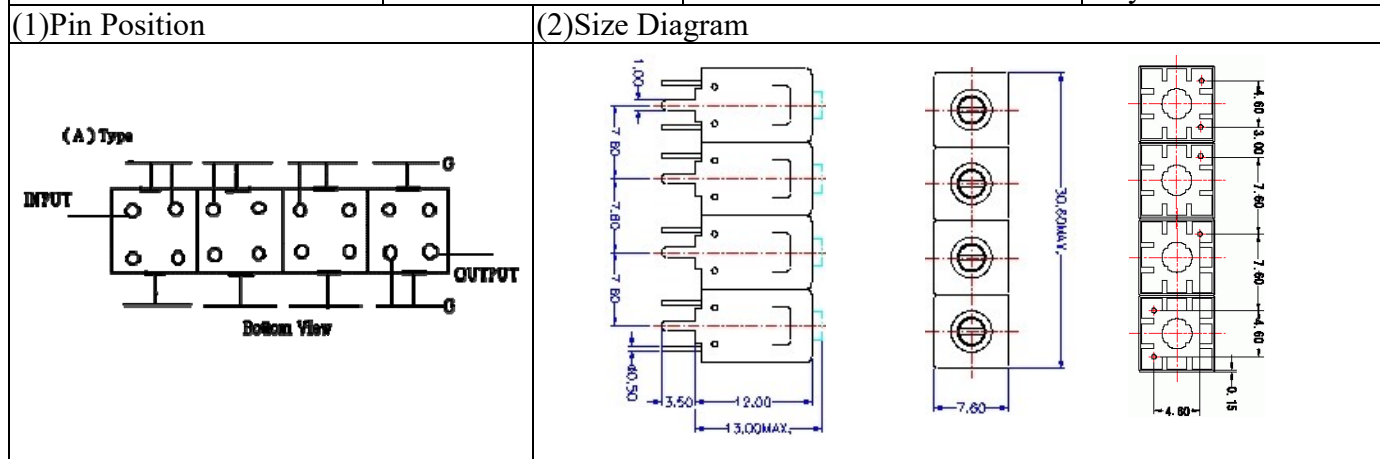


# VHF UHF Helical Filter Specification Sheet

Customer Name		Temwell's Part No.	TF64910A-780.5M
Approval No. /dated	201902049CD	Temwell's Print Name	64910A 780.5M
Work Instruction No.	201902049CD	Date	May.08.2019



### (3) Electric Characteristic

Item	Specify	Performance	
Center Freq.(Fo) +/- 0.5 %	780.5 MHz	780.5 MHz	
Insertion Loss	Typ. 2.5 dB	1.73 dB	
-3 dB Bandwidth	Typ. 45 MHz	46.2 MHz	
Sensitivity (Attenuation)	Fo - 50 MHz	Typ. 33 dBc	36 dBc
	Fo + 50 MHz	Typ. 22 dBc	25 dBc
	Fo - ( )MHz	Typ. dBc	dBc
	Fo +( )MHz	Typ. dBc	dBc
Return Loss	Min. 12 dB	22.9 dB	
Ripple	< 1 dB	dB	
Impedance	In / Out : 50 Ω	In / Out : 50 Ω	

### (4) Torque for Tuning Screw

> 60gf · cm

### (5) Temperature Condition:

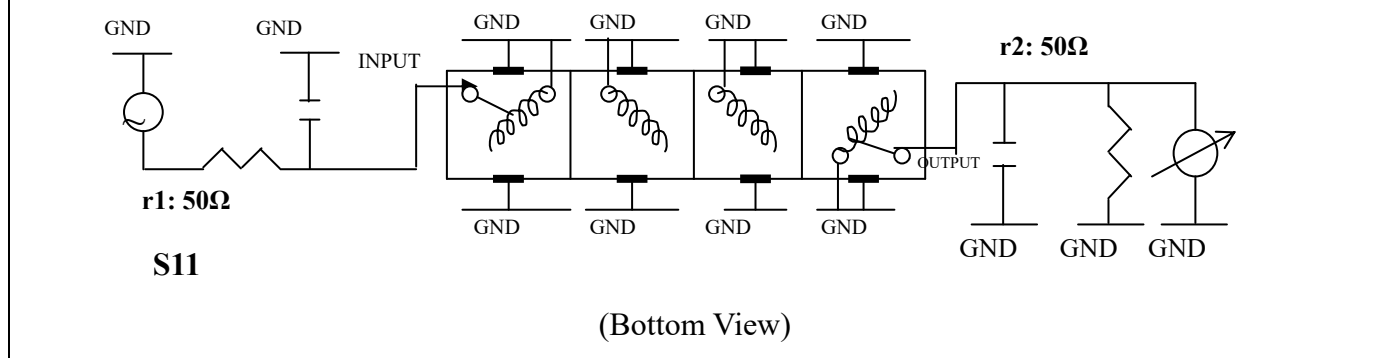
Operating Temperature 0°C ~ +60°C

Storage Temperature -20°C ~ +70°C

### (6) Input Power

> 1Watt

### (7) Measuring Circuit: ※Easy to match Impedance S11/S22 /50Ω by parallel with about(- -).

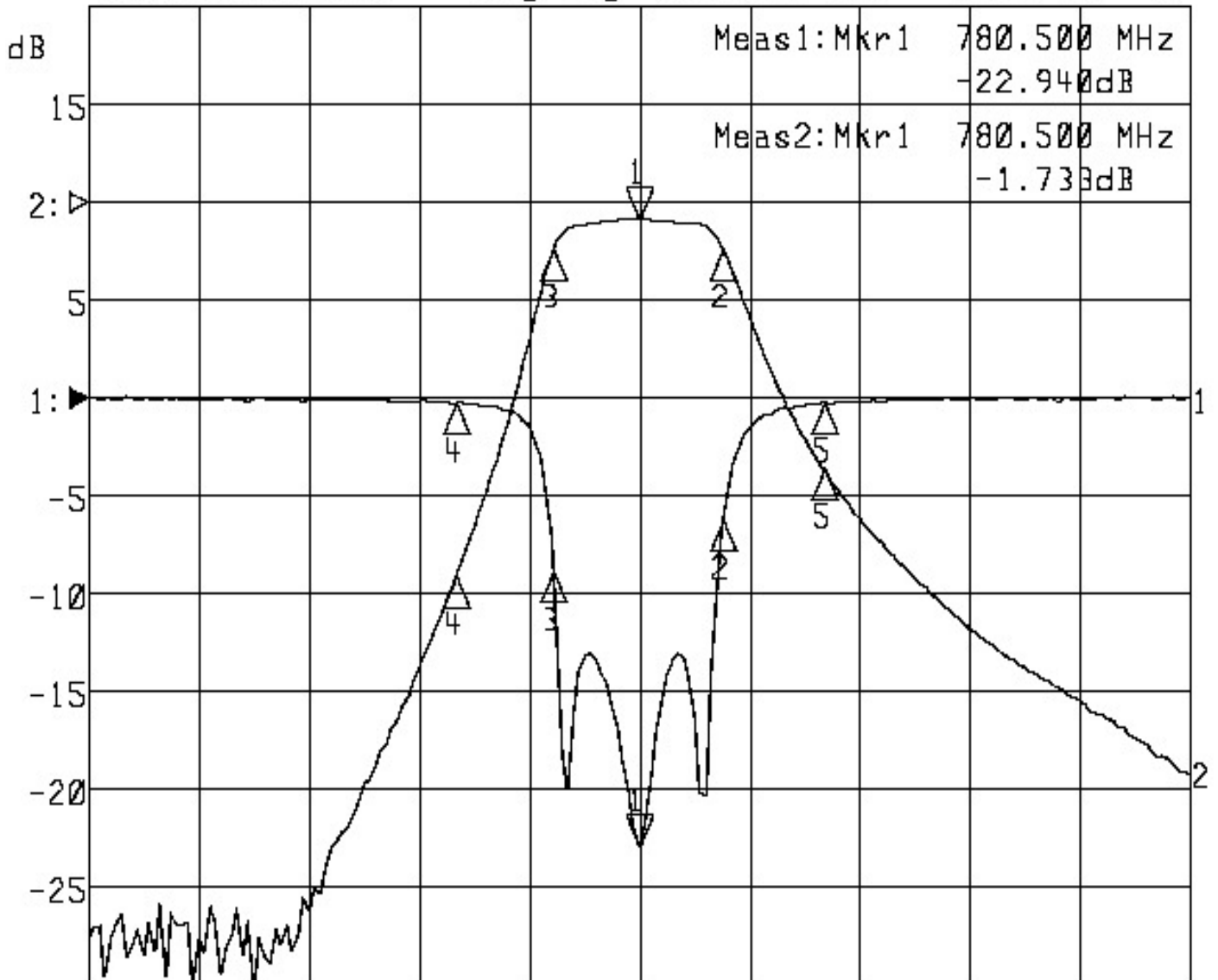


Approval	Supervisor	Designer	Aperture size
C.Y.Chang	C.K.Chang	Y.L.Lin	7H4S(4*7.5)(7.58) 7H046LB4.3 聚 3B
TEMWELL CORPORATION			

# Performance-TF64910A-780.5M

## 201902049CD

▶1: Reflection      Log Mag    5.0 dB/ Ref    0.00 dB    C  
 ▷2: Transmission    Log Mag    10.0 dB/ Ref    0.00 dB    C



Center 780.500 MHz

Span 300.000 MHz

1: Mkr (MHz)	dB	2: Mkr (MHz)	dB
1> 780.5000	-22.940	1> 780.5000	-1.733
2: 803.3000	-6.250	2: 803.3000	-4.760
3: 757.1000	-8.830	3: 757.1000	-4.717
4: 730.5000	-0.256	4: 730.5000	-38.206
5: 830.5000	-0.261	5: 830.5000	-27.220