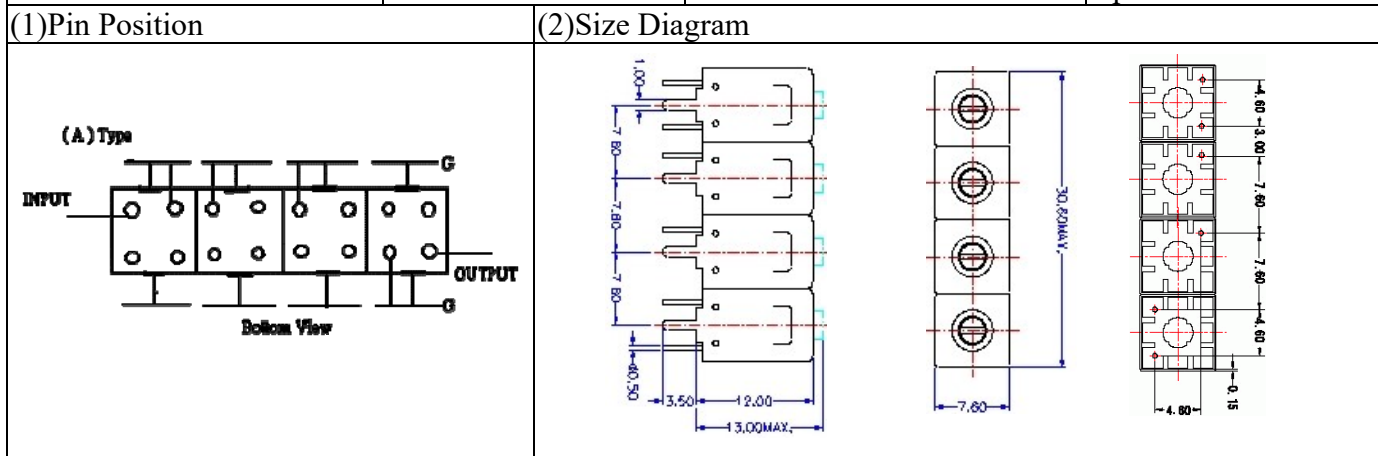


# VHF UHF Helical Filter Specification Sheet

Customer Name		Temwell's Part No.	TF64902A-725.5M
Approval No. /dated	201902041CD	Temwell's Print Name	64902A 725.5M
Work Instruction No.	201902041CD	Date	Apr.26.2019



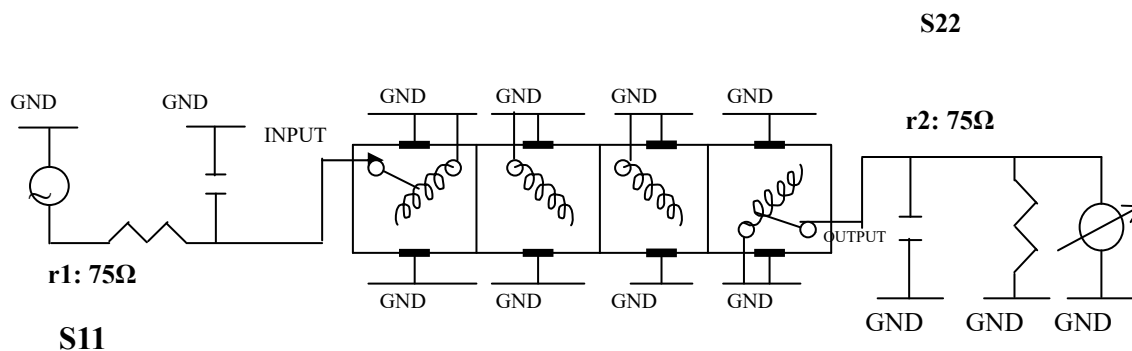
(3) Electric Chararistic		Specify		Performance	
Item					
Center Freq.(Fo) +/- 0.5 %		725.5 MHz		725.5 MHz	
Insertion Loss		Typ. 3.0 dB		1.72 dB	
-3 dB Bandwidth		Typ. 45 MHz		46.6 MHz	
Sensitivity (Attenuation)	Fo - 50 MHz	Typ. 35 dBc		38 dBc	
	Fo + 50 MHz	Typ. 23 dBc		26 dBc	
	Fo - ( )MHz	Typ. dBc		dBc	
	Fo +( )MHz	Typ. DBc		dBc	
Return Loss		Min. 12 dB		31.1 dB	
Ripple		< 1 dB		dB	
Impedance		In / Out : 50 Ω		In / Out : 50 Ω	

(4) Torque for Tuning Screw > 60gf · cm

(5) Temperature Condition:	
Operating Temperature	0°C ~ +60°C
Storage Temperature	-20°C ~ +70°C

(6) Input Power > 1Watt

(7) Measuring Circuit: ※Easy to match Impedance S11/S22 /75Ω by parallel with about(- -).



(Bottom View)

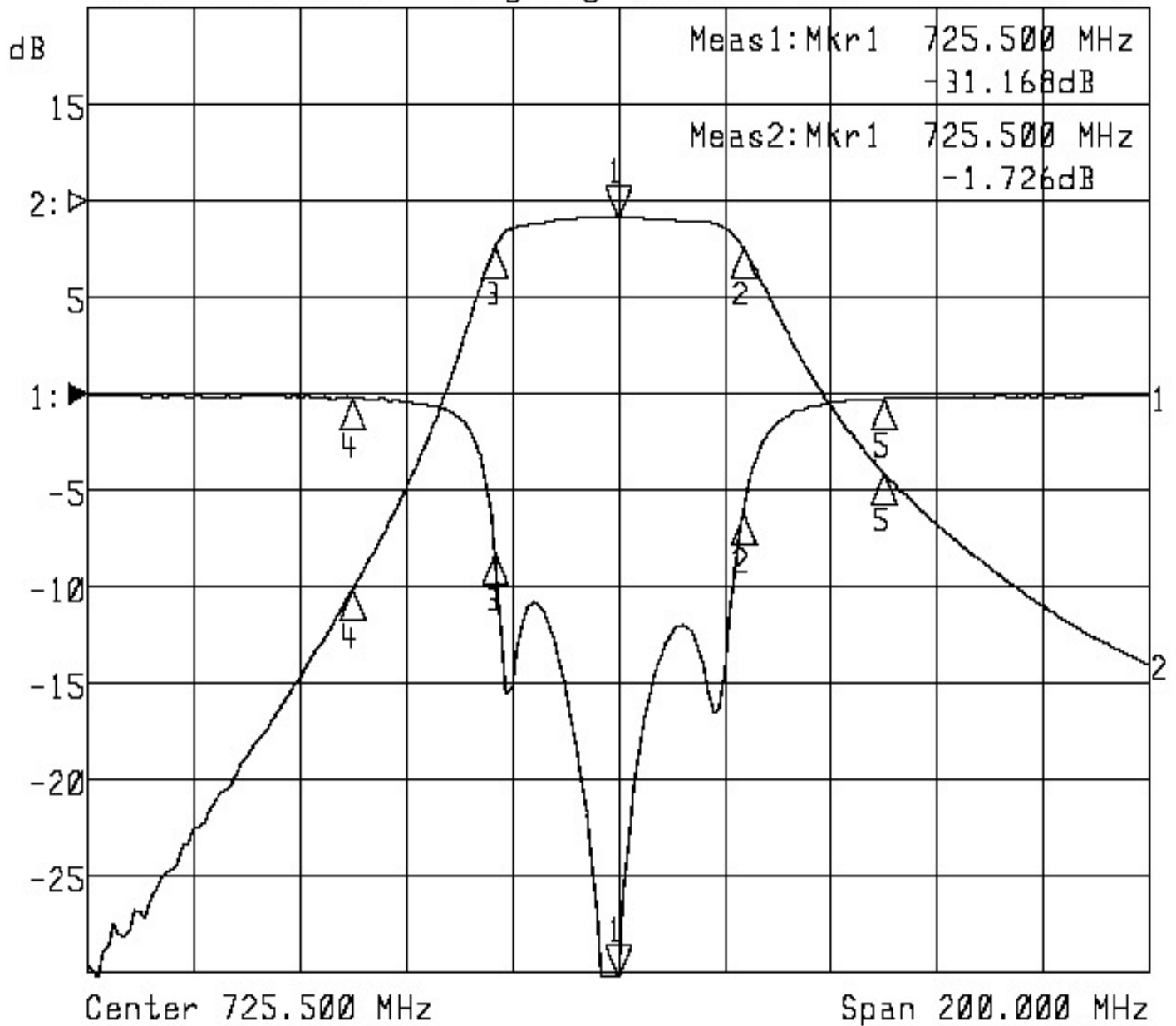
Approval	Supervisor	Designer	Aperture size
C.Y.Chang	C.K.Chang	Y.C.Li	7H4S(4*7.35)(7.37) 7H046LB4.3 聚 3B

TEMWELL CORPORATION

# Performance-TF64902A-725.5M

## 201902041CD

▶1: Reflection      Log Mag    5.0 dB/ Ref    0.00 dB    C  
 ▷2: Transmission    Log Mag    10.0 dB/ Ref    0.00 dB    C



1: Mkr (MHz)	dB	2: Mkr (MHz)	dB
1> 725.5000	-31.168	1> 725.5000	-1.726
2: 748.9000	-6.262	2: 748.9000	-4.726
3: 702.3000	-8.244	3: 702.3000	-4.716
4: 675.5000	-0.232	4: 675.5000	-40.340
5: 775.5000	-0.239	5: 775.5000	-28.179