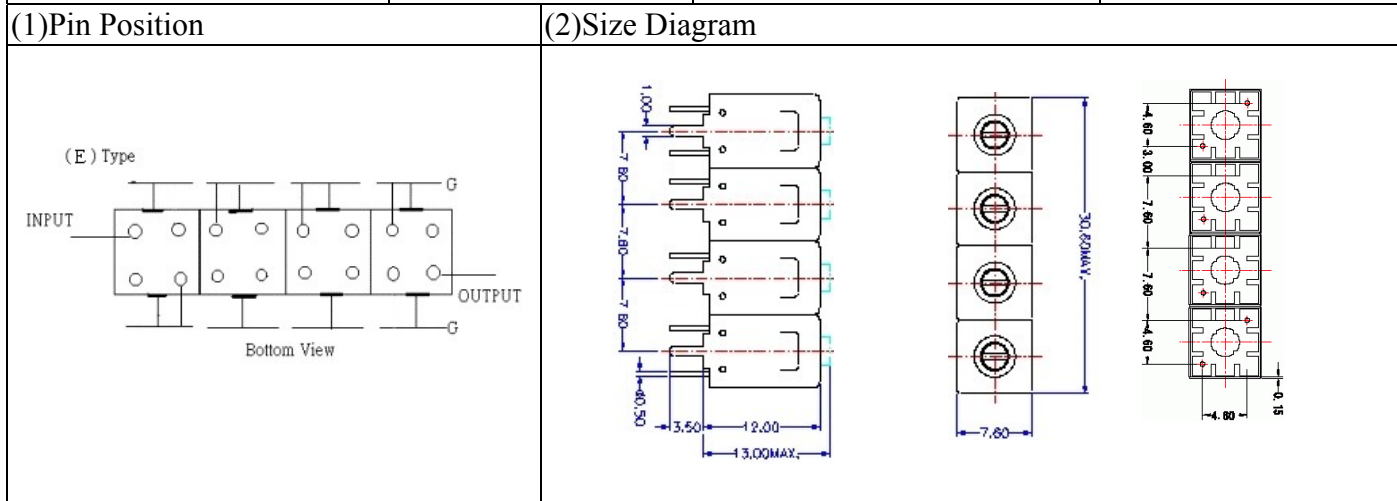


# VHF UHF Helical Filter Specification Sheet

Customer Name		Temwell's Part No.	TF6488E-98M
Approval No. /dated	0711089BD	Acceptable Fo Specify Range	96~107MHz
Work Instruction No.	0711089BD	Date	Dec.04.2007



(3) Electric Charasteric

Item	Specify	Performance
Center Freq.(Fo) +/- 0.5 %	98 MHz	98 MHz
Insertion Loss	Typ. 2.0 dB	1.35 dB
-3 dB Bandwidth	Typ. 20 MHz	21.7 MHz
Sensitivity (Attenuation)	Fo - 30 MHz	Typ. 50 dBc
	Fo + 30 MHz	Typ. 34 dBc
	Fo - ( )MHz	Typ. dBc
	Fo +( )MHz	Typ. dBc
Return Loss	Min. 12 dB	23.9 dB
Ripple	< 1 dB	dB
Impedance	In / Out : 50 Ω	In / Out : 50 Ω
(4) Torque for Tuning Screw	> 100gf · cm	

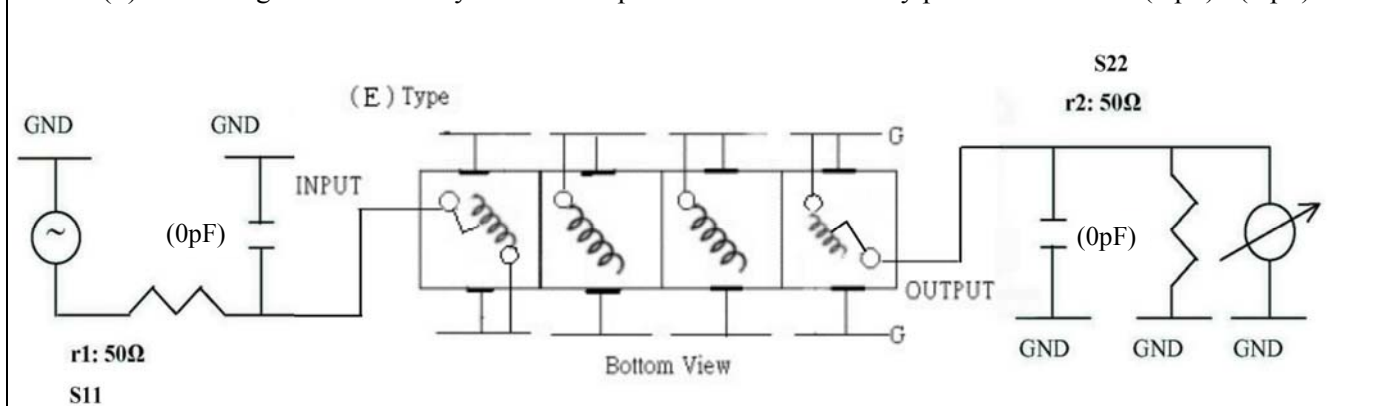
(5) Temperature Condition:

Operating Temperature	0°C ~ +60°C
Storage Temperature	-20°C ~ +70°C

(6) Input Power

> 1Watt
---------

(7) Measuring Circuit: ※Easy to match Impedance S11/S22 50Ω by parallel with about(0 pF) / (0 pF)



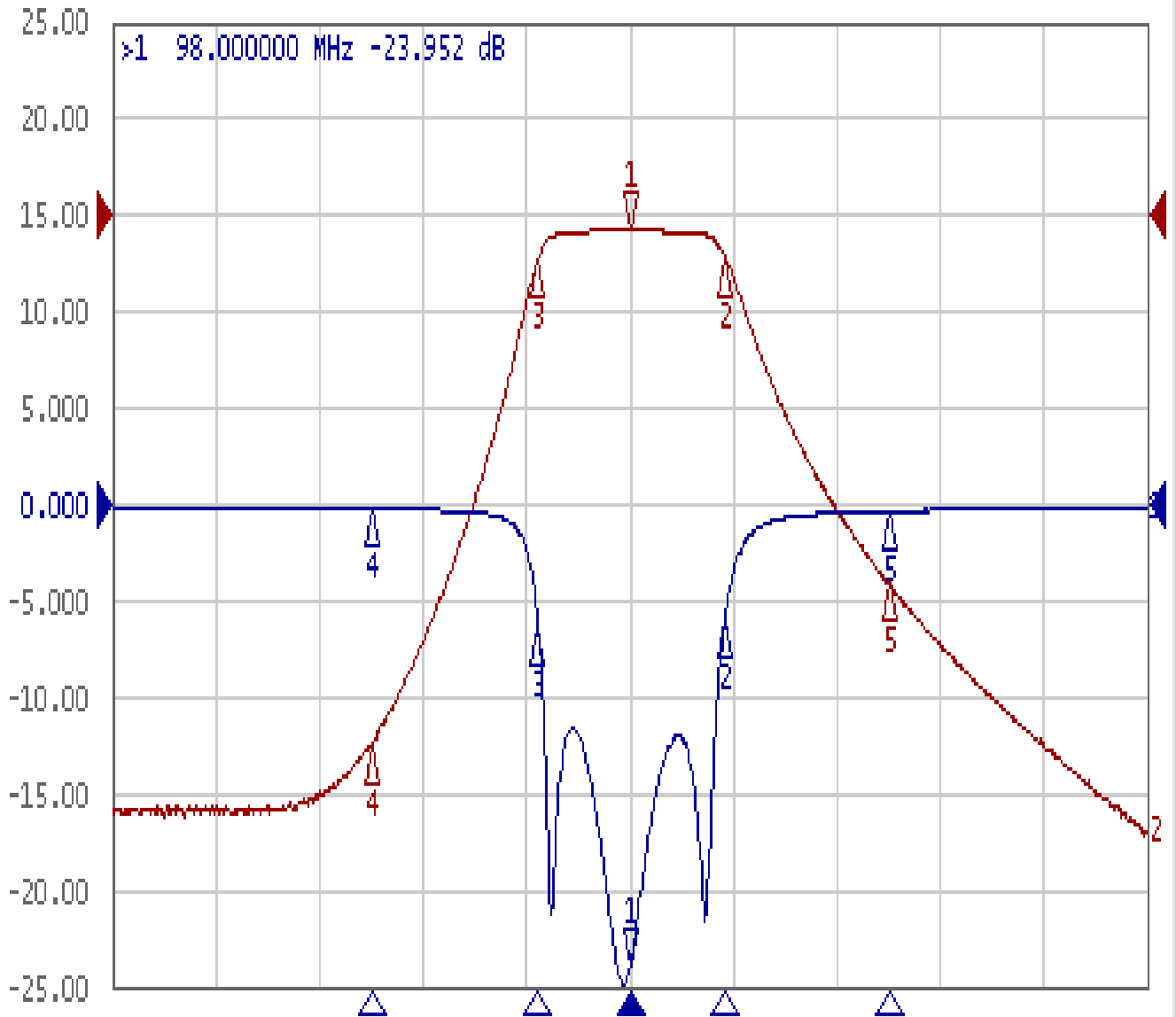
Approval	Supervisor	Designer	Aperture size
C.Y.Chang	C.S.Chang	C.S.Chang	7H4(4*7.5)F 7H024RB6.5

TEMWELL CORPORATION

# Performance-TF6488E-98M

## 0711089BD

Tr1 S11 Log Mag 5.000dB/ Ref 0.000dB [F2]  
Tr2 S21 Log Mag 10.00dB/ Ref 0.000dB [F2]



1 Center 98 MHz IFBW 10 kHz Span 120 MHz Cor

Ch1	Tr1	S11	>1	98.000000	MHz	-23.952	dB
Ch1	Tr1	S11	2	109.01200	MHz	-5.9353	dB
Ch1	Tr1	S11	3	87.350000	MHz	-6.3897	dB
Ch1	Tr1	S11	4	68.000000	MHz	-0.2332	dB
Ch1	Tr1	S11	5	128.00000	MHz	-0.3268	dB
Ch1	Tr2	S21	1	98.000000	MHz	-1.3529	dB
Ch1	Tr2	S21	2	109.01200	MHz	-4.3285	dB
Ch1	Tr2	S21	3	87.350000	MHz	-4.3800	dB
Ch1	Tr2	S21	4	68.000000	MHz	-54.928	dB
Ch1	Tr2	S21	5	128.00000	MHz	-38.259	dB