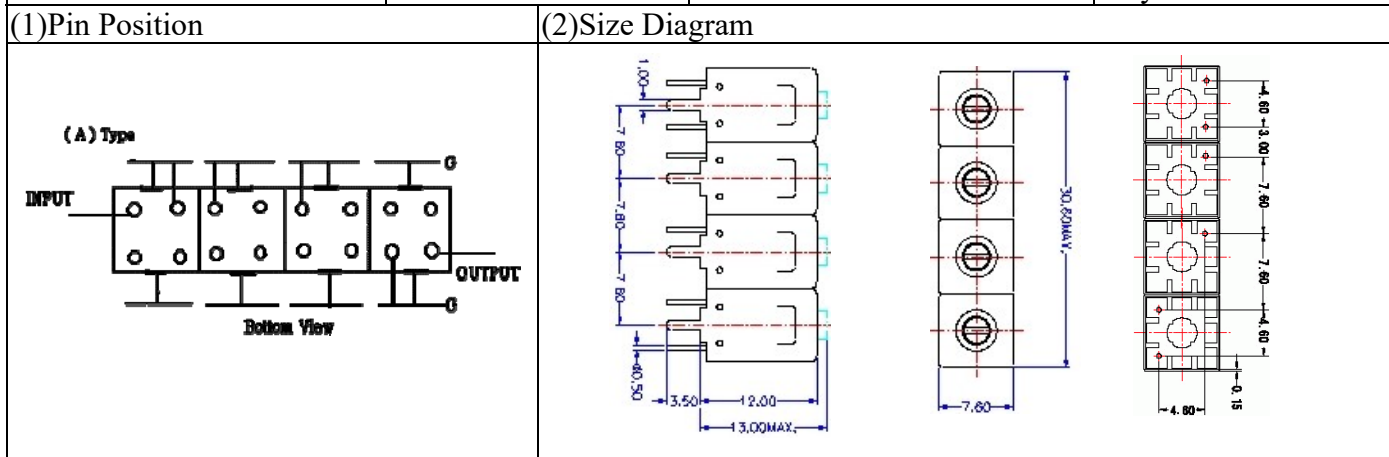


VHF UHF Helical Filter Specification Sheet

Customer Name		Temwell's Part No.	TF64876A-942.5M
Approval No. /dated	201904045CD	Temwell's Print Name	64876A 942.5M-
Work Instruction No.	201904045CD	Date	May.03.2019



(3) Electric Characteristic

Item	Specify	Performance	
Center Freq.(Fo) +/- 0.5 %	942.5 MHz	942.5 MHz	
Insertion Loss	Typ. 3.5 dB	2.81 dB	
-3 dB Bandwidth	Typ. 35 MHz	39.6 MHz	
Sensitivity (Attenuation)	Fo - 50 MHz	Typ. 37 dBc	42 dBc
	Fo + 50 MHz	Typ. 23 dBc	28 dBc
	Fo - ()MHz	Typ. dBc	dBc
	Fo +()MHz	Typ. dBc	dBc
Return Loss	Min. 12 dB	20.2 dB	
Ripple	< 1 dB	dB	
Impedance	In / Out : 50 Ω	In / Out : 50 Ω	

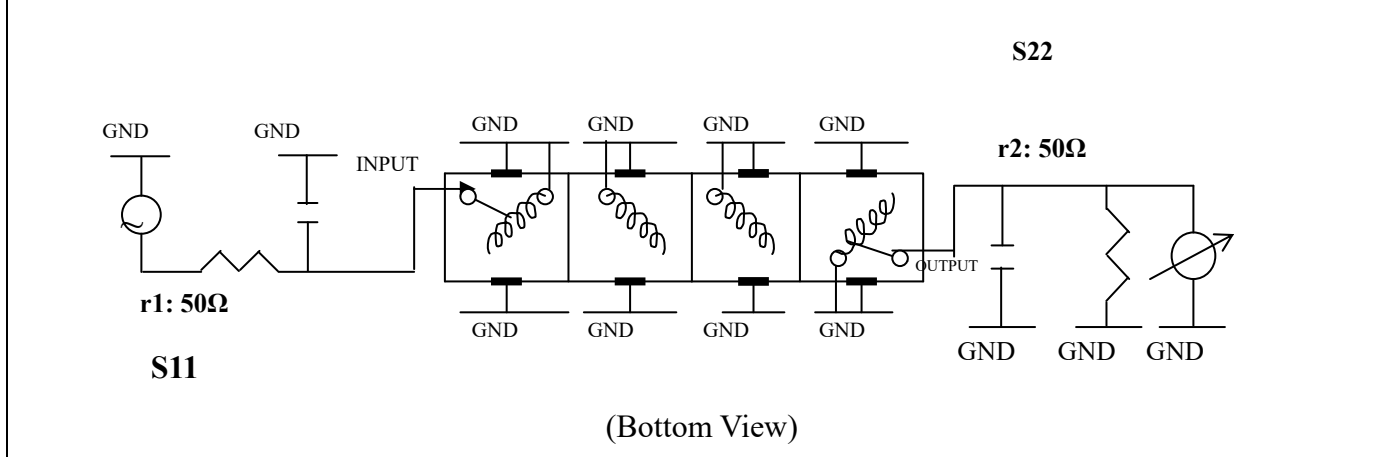
(4) Torque for Tuning Screw > 60gf · cm

(5) Temperature Condition:

Operating Temperature	0°C ~ +60°C
Storage Temperature	-20°C ~ +70°C

(6) Input Power > 1Watt

(7) Measuring Circuit: ※Easy to match Impedance S11/S22 50Ω by parallel with about(- -).



Approval	Supervisor	Designer	Aperture size
C.Y.Chang	C.K.Chang	C.S.Chang	7H4S(4*8.0)(8.06) 7H046LB4.3 聚 3

TEMWELL CORPORATION

Performance-TF64876A-942.5M-35M

201904045CD

