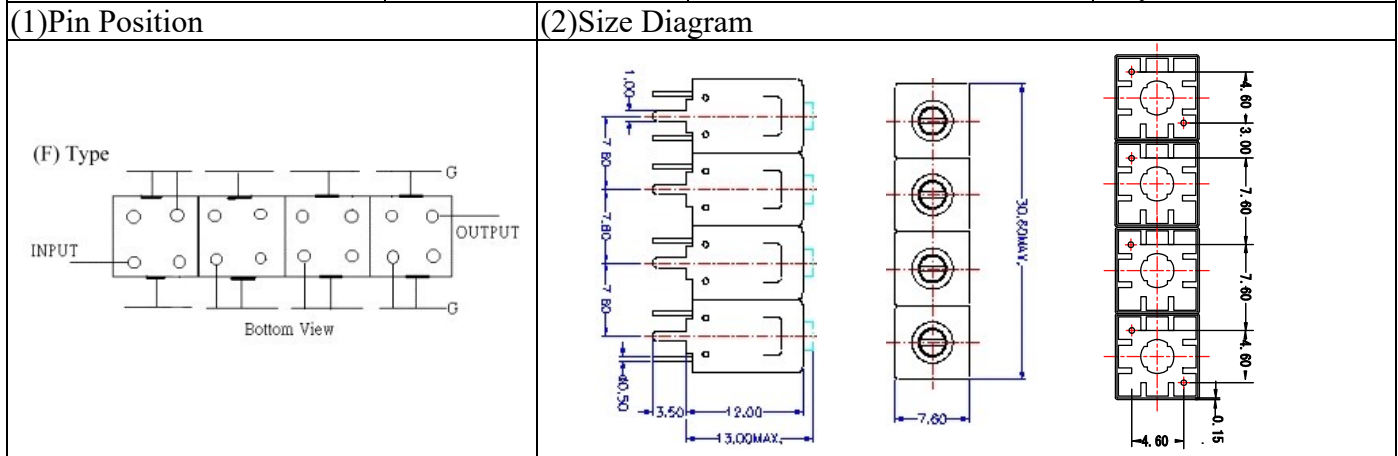


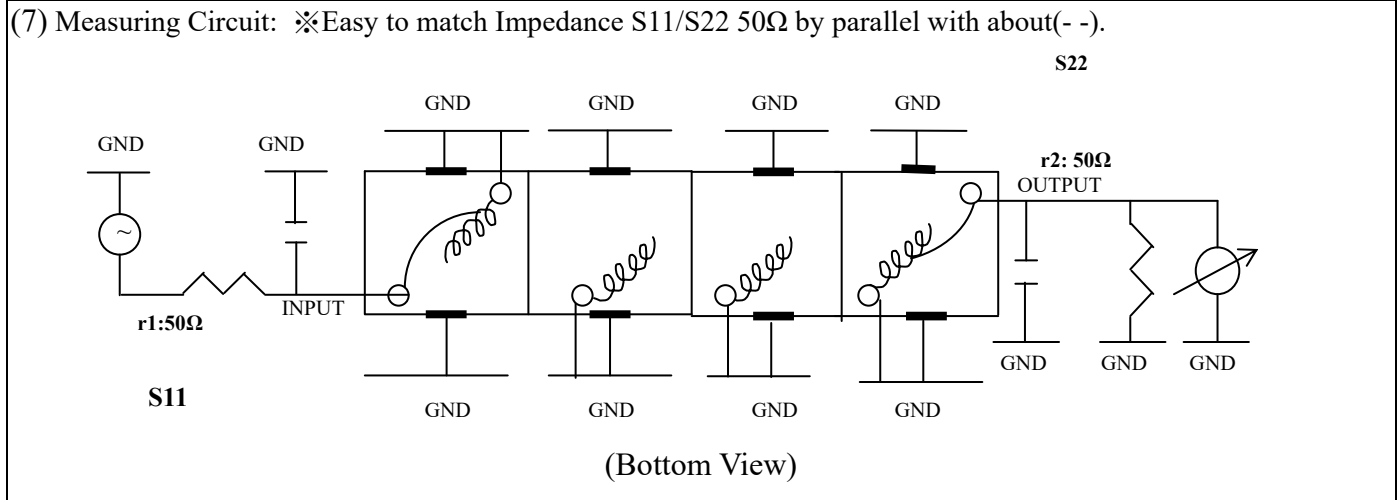
VHF UHF Helical Filter Specification Sheet

Customer Name		Temwell's Part No.	TF64874F-881.5M
Approval No. /dated	201904032CD	Temwell's Print name	64874F 881.5M
Work Instruction No.	201904032CD	Date	May.08.2019



(3) Electric Characteristic			
Item		Specify	Performance
Center Freq.(Fo) +/- 0.5 %		881.5 MHz	881.5 MHz
Insertion Loss		Typ. 4.5 dB	3.34 dB
-3 dB Bandwidth		Typ. 25 MHz	27.7 MHz
Sensitivity (Attenuation)	Fo - (50) MHz	Typ. 47 dBc	52 dBc
	Fo + (50) MHz	Typ. 32 dBc	37 dBc
	Fo - () MHz	Typ. dBc	dBc
	Fo + () MHz	Typ. dBc	dBc
Return Loss		Min. 12 dB	21.0 dB
Ripple		< 1 dB	dB
Impedance		In / Out : 50 Ω	In / Out : 50 Ω
(4) Torque for Tuning Screw		> 60gf • cm	

(5) Temperature Condition:	
Operating Temperature	0°C ~ +60°C
Storage Temperature	-20°C ~ +70°C
(6) Input Power	> 1Watt

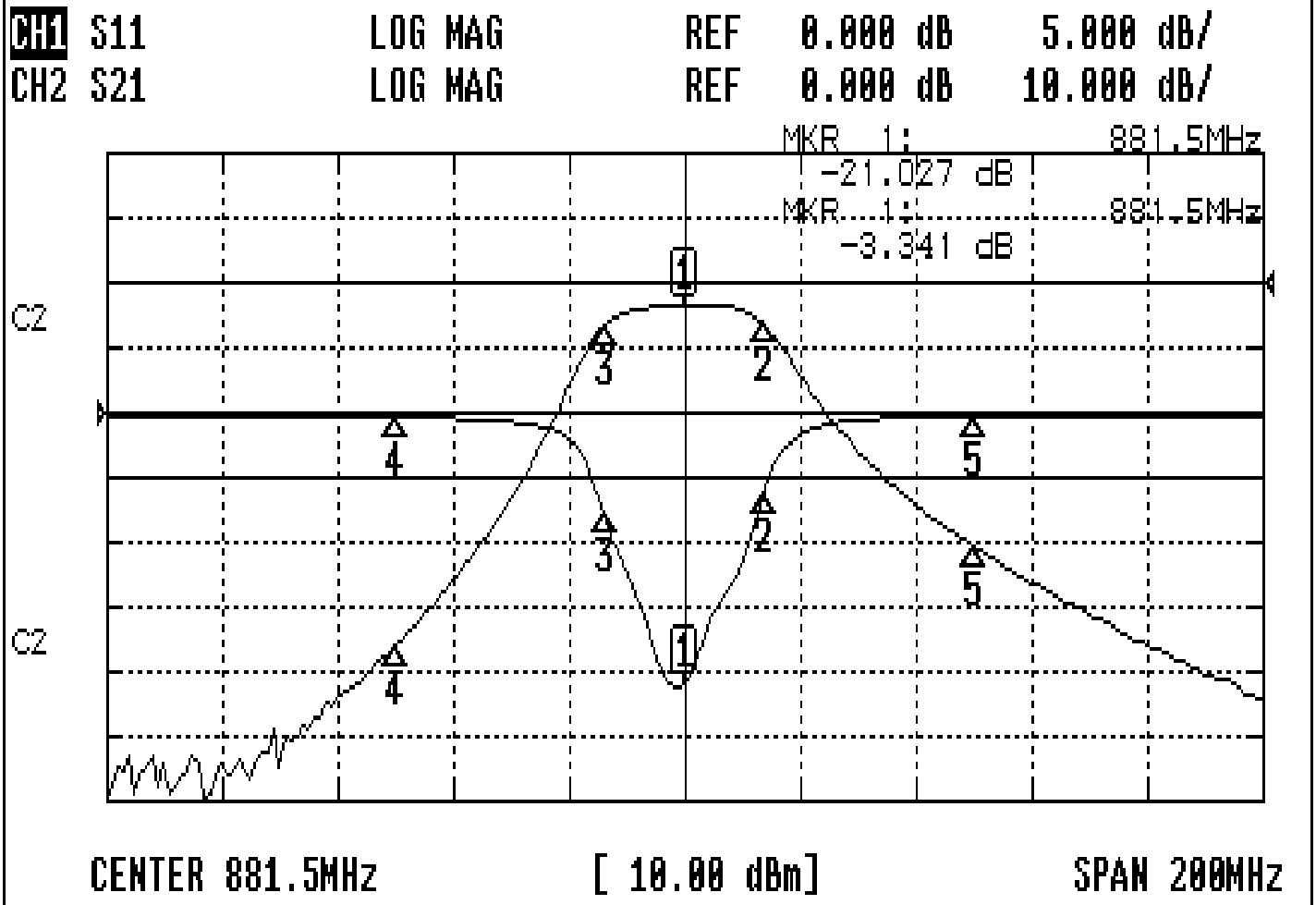


Approval	Supervisor	Designer	Aperture size
C.Y.Chang	C.K.Chang	Z.Y.Wang	7H4S(4*6.5)(6.58) 7H046LB4.3 聚 3(J1)

TEMWELL CORPORATION

Performance-TF64874F-881.5M

201904032CD



CH1 MARKER LIST

1	881.500MHz	-21.027	dB
2	895.300MHz	-6.087	dB
3	909.100MHz	-7.820	dB
4	922.900MHz	-0.320	dB
5	936.700MHz	-0.267	dB

CH2 MARKER LIST

1	881.500MHz	-3.344	dB
2	895.300MHz	1.600	dB
3	909.100MHz	1.600	dB
4	922.900MHz	1.600	dB
5	936.700MHz	40.793	dB