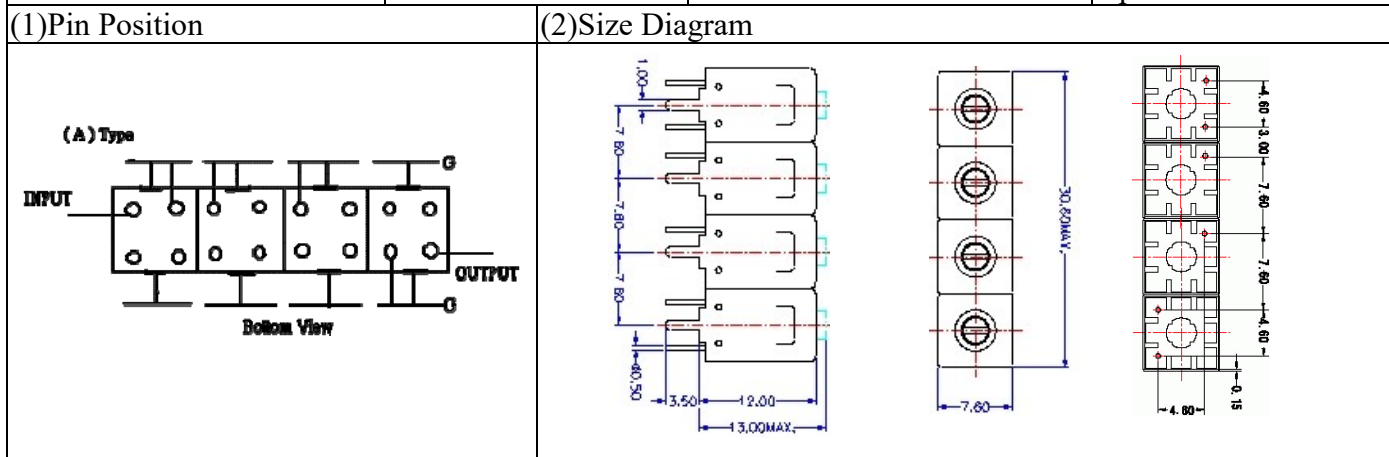


VHF UHF Helical Filter Specification Sheet

| | | | |
|----------------------|-------------|----------------------|----------------|
| Customer Name | | Temwell's Part No. | TF64871A-806M |
| Approval No. /dated | 201903011CD | Temwell's Print Name | 64871A 806M |
| Work Instruction No. | 201903011CD | Date | Apr.12.2019 |



(3)Electric Charasteric

| Item | Specify | Performance | |
|-------------------------------|-----------------|-----------------|--------|
| Center Freq.(Fo) +/- 0.5 % | 806 MHz | 806 MHz | |
| Insertion Loss | Typ. 3.5 dB | 2.67 dB | |
| -3 dB Bandwidth | Typ. 30 MHz | 31.4 MHz | |
| Sensitivity (Attenuation) | Fo - 50 MHz | Typ. 48 dBc | 53 dBc |
| | Fo + 50 MHz | Typ. 33 dBc | 38 dBc |
| | Fo - ()MHz | Typ. dBc | dBc |
| | Fo +()MHz | Typ. dBc | dBc |
| Return Loss | Min. 12 dB | 23.0 dB | |
| Ripple | < 1 dB | dB | |
| Impedance | In / Out : 50 Ω | In / Out : 50 Ω | |

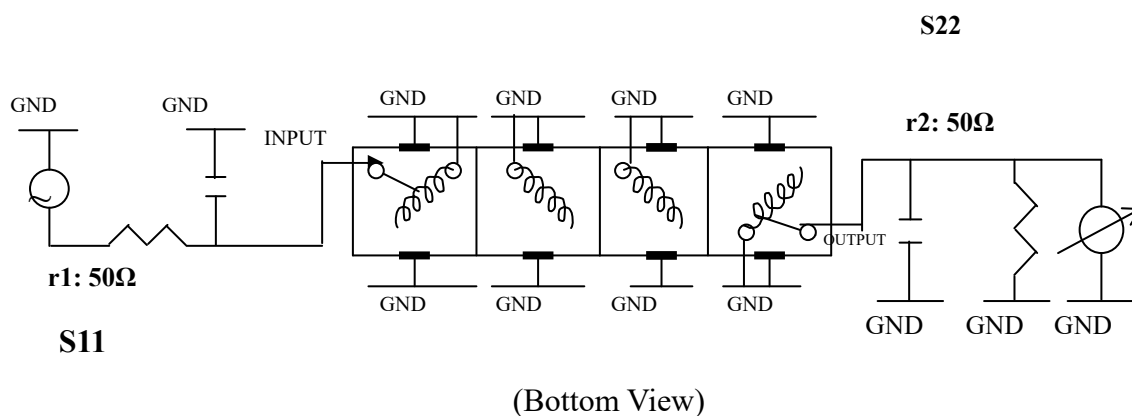
(4)Torque for Tuning Screw > 60gf • cm

(5)Temperature Condition:

| | |
|-----------------------|---------------|
| Operating Temperature | 0°C ~ +60°C |
| Storage Temperature | -20°C ~ +70°C |

(6)Input Power > 1Watt

(7) Measuring Circuit: ※Easy to match Impedance S11/S22 50Ω by parallel with about(- -).



| | | | |
|-----------|------------|------------|-------------------------------------|
| Approval | Supervisor | Designer | Aperture size |
| C.Y.Chang | C.K.Chang | P.H.Chiang | 7H4S(4*5.6)(5.68) 7H046LB4.3 聚 3 |

TEMWELL CORPORATION

Performance-TF64871A-806M

201903011CD

