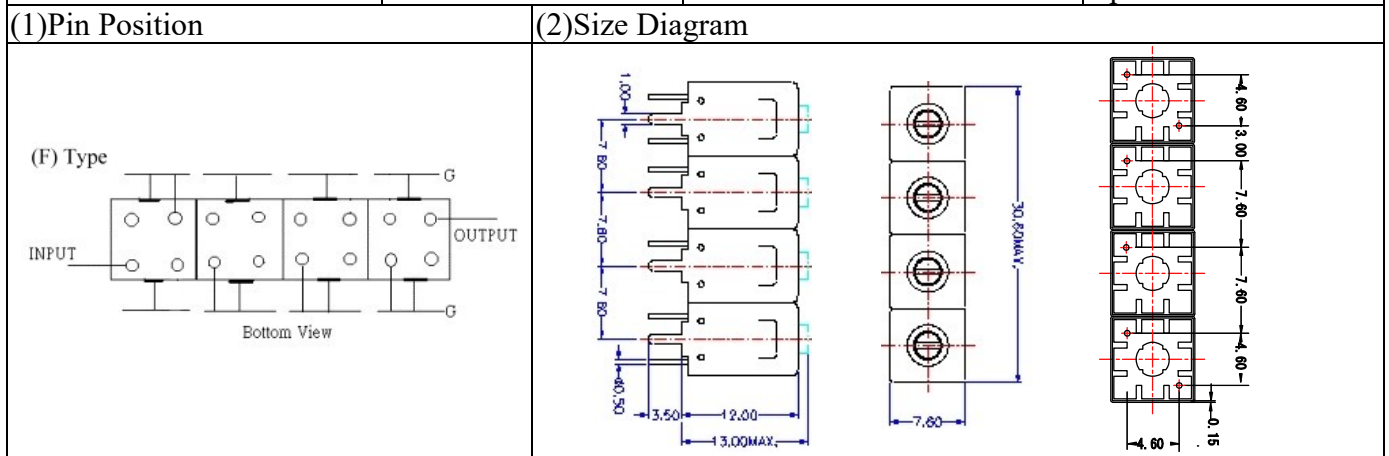


# VHF UHF Helical Filter Specification Sheet

Customer Name		Temwell's Part No.	TF64866F-837M
Approval No. /dated	201903013CD	Temwell's Print name	64866F 837M
Work Instruction No.	201903013CD	Date	Apr.12.2019



(3) Electric Characteristic

Item	Specify	Performance	
Center Freq.(Fo) +/- 0.5 %	837 MHz	837 MHz	
Insertion Loss	Typ. 5.5 dB	4.63 dB	
-3 dB Bandwidth	Typ. 15 MHz	16.2 MHz	
Sensitivity (Attenuation)	Fo - ( 50 ) MHz	Typ. 70 dBc	80 dBc
	Fo + ( 50 ) MHz	Typ. 50 dBc	59 dBc
	Fo - ( ) MHz	Typ. dBc	dBc
	Fo + ( ) MHz	Typ. dBc	dBc
Return Loss	Min. 12 dB	40.2 dB	
Ripple	< 1 dB	dB	
Impedance	In / Out : 50 Ω	In / Out : 50 Ω	

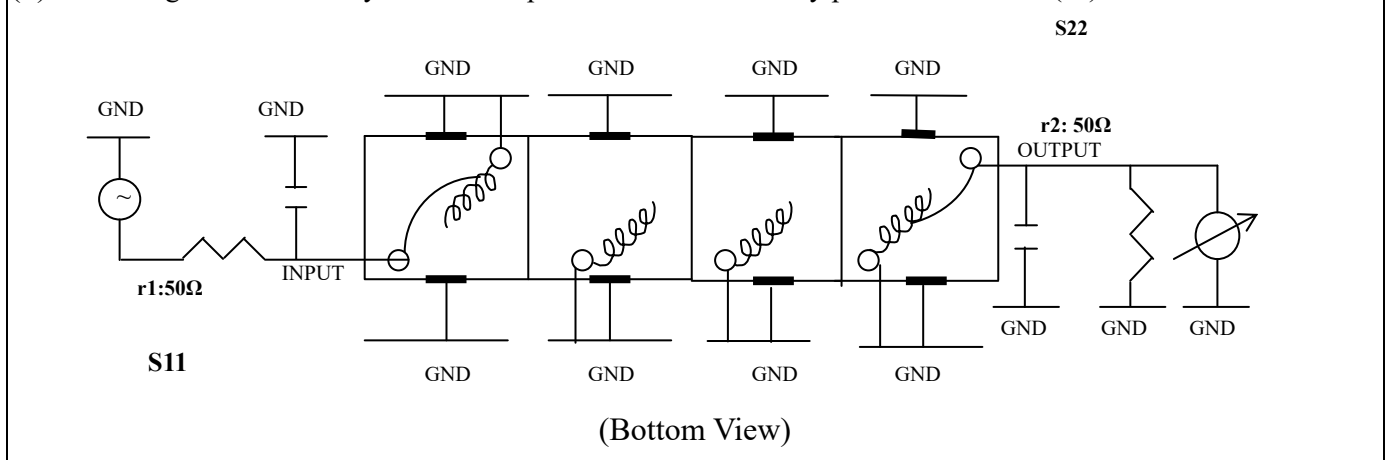
(4) Torque for Tuning Screw > 60gf · cm

(5) Temperature Condition:

Operating Temperature	0°C ~ +60°C
Storage Temperature	-20°C ~ +70°C

(6) Input Power > 1Watt

(7) Measuring Circuit: ※Easy to match Impedance S11/S22 50Ω by parallel with about(- -).



Approval	Supervisor	Designer	Aperture size
C.Y.Chang	C.K.Chang	P.H.Chiang	7H4S(4*4.65)(4.68) 7H046LB4.3 聚 3 (J1)

TEMWELL CORPORATION

# Performance-TF64866F-837M

## 201903013CD

