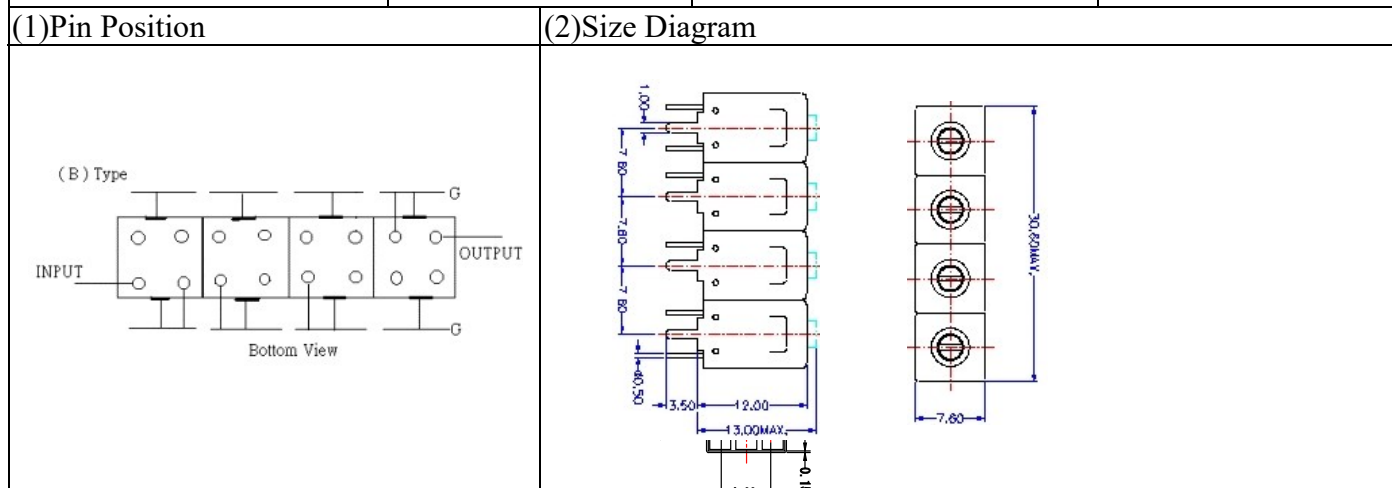


# VHF UHF Helical Filter Specification Sheet

Customer Name		Temwell's Part No.	TF64864B-713M
Approval No. /dated	201812022CD	Temwell's Print Name	64864B 713M
Work Instruction No.	201812022CD	Date	Dec.10.2018



**(3) Electric Characteristic**

Item	Specify	Performance
Center Freq.(Fo) +/- 0.5 %	713 MHz	713 MHz
Insertion Loss	3.0 dB	2.28 dB
-3 dB Bandwidth	Typ. 30 MHz	33.6 MHz
Sensitivity (Attenuation)	Fo - 50 MHz	Typ. 45 dB
	Fo +50 MHz	Typ. 30 dB
	Fo - ( )MHz	Typ. dB
	Fo +( )MHz	Typ. dB
Return Loss	Min. 12 dB	24.6 dB
Ripple	< 1 dB	
Impedance	In / Out : 50 Ω	In / Out : 50 Ω

**(4) Torque for Tuning Screw**

	> 60gf · cm
--	-------------

**(5) Temperature Condition:**

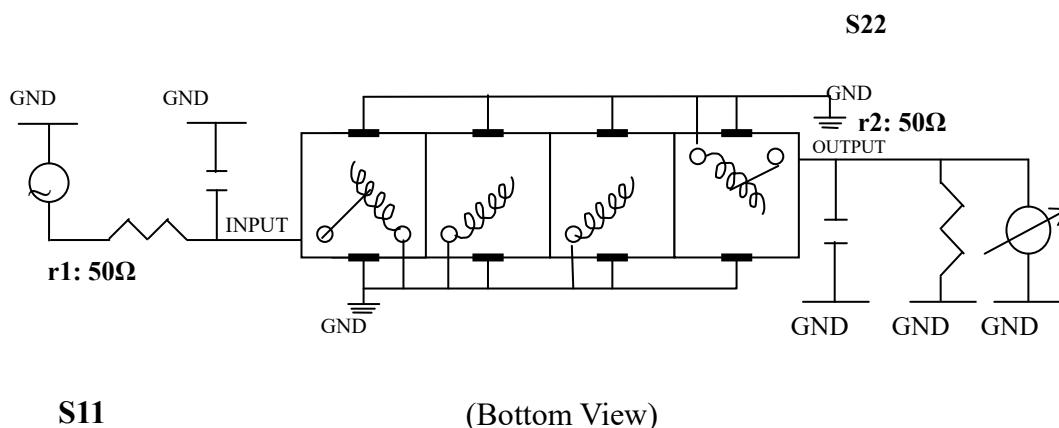
Operating Temperature	0°C ~ +60°C
-----------------------	-------------

Storage Temperature	-20°C ~ +70°C
---------------------	---------------

**(6) Input Power**

	> 1Watt
--	---------

**(7) Measuring Circuit: ※Easy to match Impedance S11/S22 50Ω by parallel with about(- -).**



Approval	Supervisor	Designer	Aperture size
C.Y.Chang	C.K.Chang	P.H.Chiang	7H4S(4*5.6)(5.65) 7H046RB4

TEMWELL CORPORATION

# Performance-TF64864B-713M

## 201812022CD

