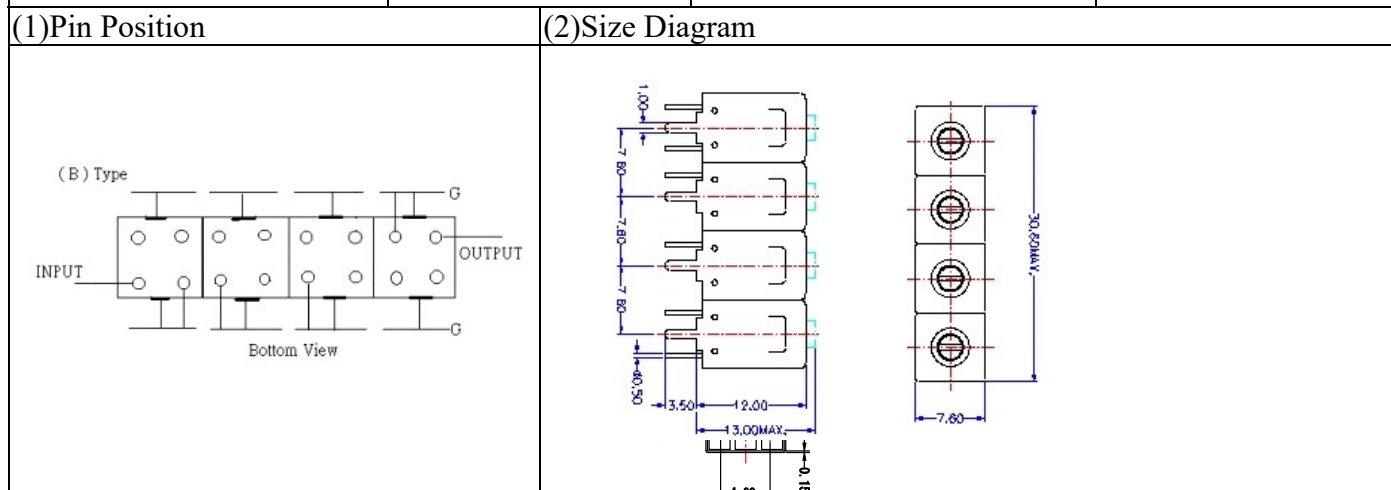


# VHF UHF Helical Filter Specification Sheet

Customer Name		Temwell's Part No.	TF64863B-710M
Approval No. /dated	201812021CD	Temwell's Print Name	64863B 710M
Work Instruction No.	201812021CD	Date	Dec.10.2018



### (3)Electric Charasteric

Item	Specify	Performance
Center Freq.(Fo ) +/- 0.5 %	710 MHz	710 MHz
Insertion Loss	5.5 dB	4.65 dB
-3 dB Bandwidth	Typ. 12 MHz	14.6 MHz
Sensitivity (Attenuation)	Fo - 100 MHz	Typ. 60 dB
	Fo +100 MHz	Typ. 60 dB
	Fo - ( )MHz	Typ. dB
	Fo +( )MHz	Typ. dB
Return Loss	Min. 12 dB	31.8 dB
Ripple	< 1 dB	dB
Impedance	In / Out : 50 Ω	In / Out : 50 Ω

### (4)Torque for Tuning Screw

(4)Torque for Tuning Screw	> 60gf • cm
----------------------------	-------------

### (5)Temperature Condition:

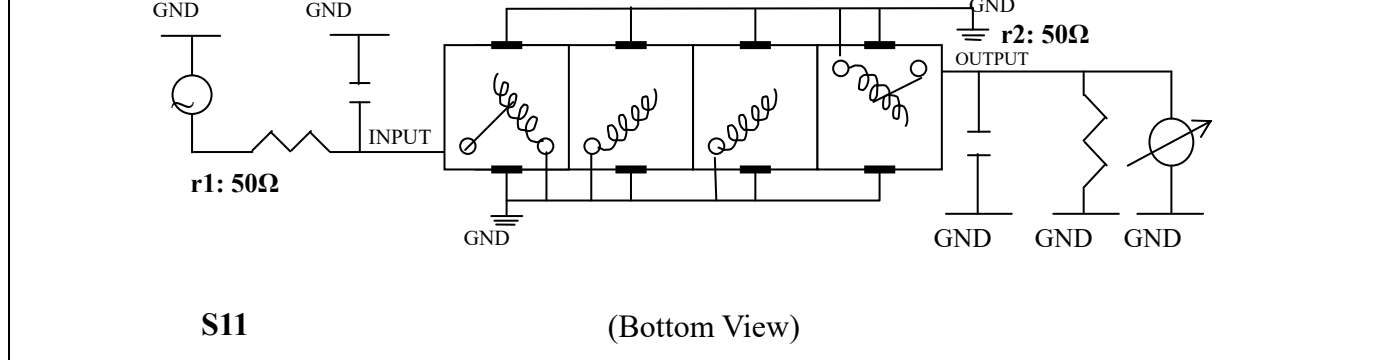
Operating Temperature	0°C ~ +60°C
-----------------------	-------------

Storage Temperature	-20°C ~ +70°C
---------------------	---------------

### (6)Input Power

(6)Input Power	> 1Watt
----------------	---------

### (7)Measuring Circuit: ※Easy to match Impedance S11/S22 50Ω by parallel with about(- -).



Approval	Supervisor	Designer	Aperture size
C.Y.Chang	C.K.Chang	P.H.Chiang	7H4S(4*4.65)(4.68) 7H046RB4.3 聚 3

TEMWELL CORPORATION

# Performance-TF64863B-710M

## 201812021CD

