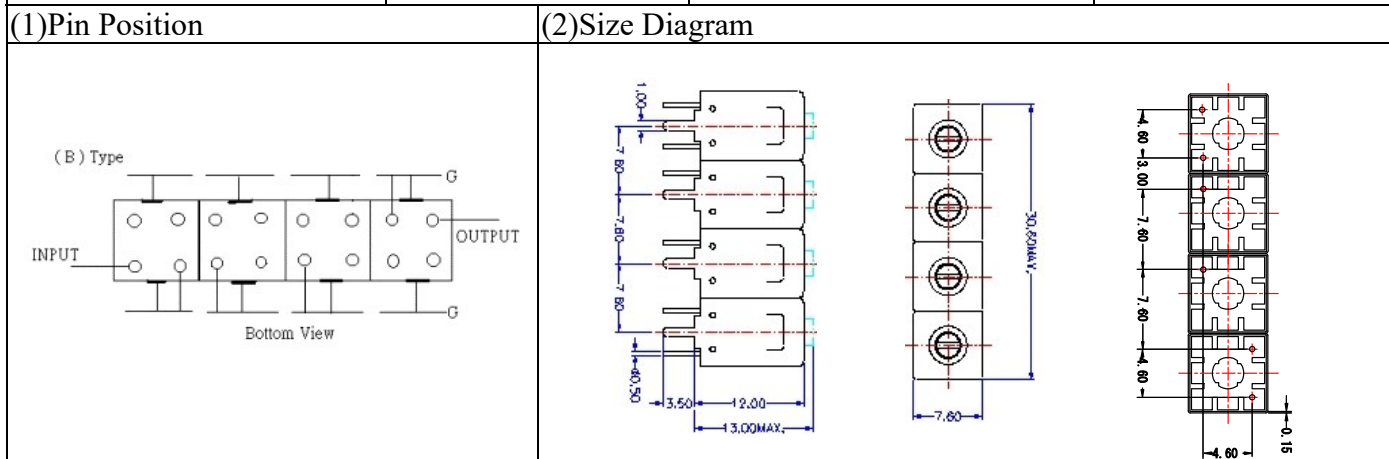


# VHF UHF Helical Filter Specification Sheet

Customer Name		Temwell's Part No.	TF64862B-707M
Approval No. /dated	201812020CD	Temwell's Print Name	64862B 707M
Work Instruction No.	201812020CD	Date	Dec.12.2018



**(3) Electric Characteristic**

Item	Specify	Performance	
Center Freq.(Fo) +/- 0.5 %	707 MHz	707 MHz	
Insertion Loss	Typ. 4.5 dB	3.37 dB	
-3 dB Bandwidth	Typ. 18 MHz	21.5 MHz	
Sensitivity (Attenuation)	Fo - 50 MHz	Typ. 53 dBc	63 dBc
	Fo + 50 MHz	Typ. 41 dBc	46 dBc
	Fo - ( )MHz	Typ. dBc	dBc
	Fo +( )MHz	Typ. dBc	dBc
Return Loss	Min. 12 dB	17.3 dB	
Ripple	< 1 dB	dB	
Impedance	In / Out : 50 Ω	In / Out : 50 Ω	

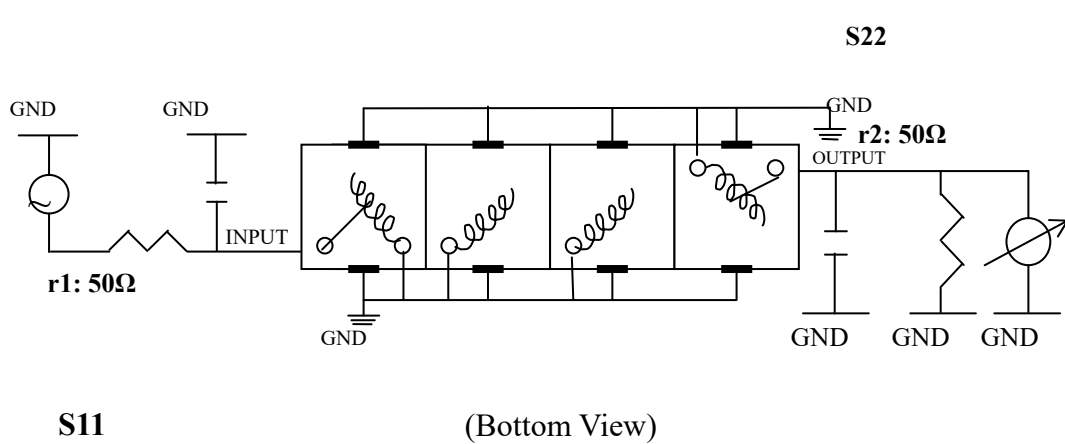
(4) Torque for Tuning Screw > 60gf · cm

(5) Temperature Condition:

Operating Temperature	0°C ~ +60°C
Storage Temperature	-20°C ~ +70°C

(6) Input Power > 1Watt

(7) Measuring Circuit: ※Easy to match Impedance S11/S22 50Ω by parallel with about(- -).



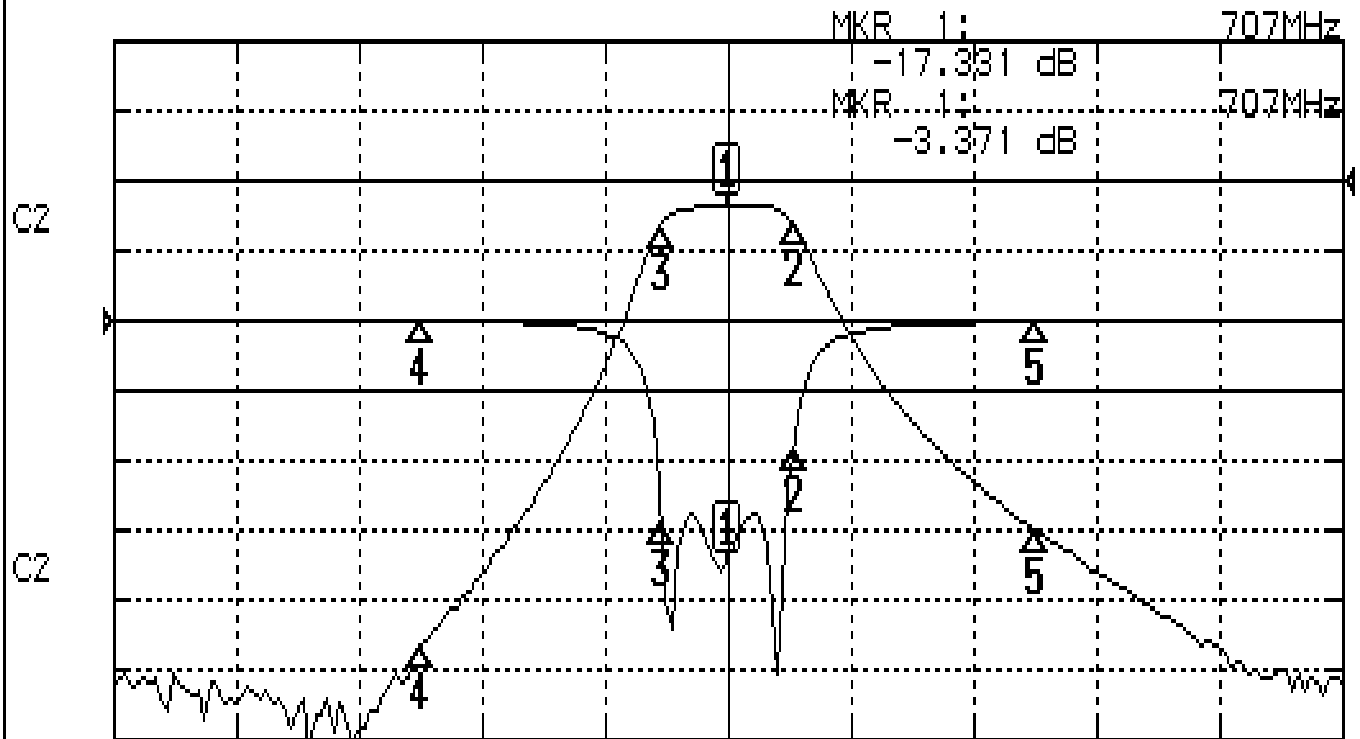
Approval	Supervisor	Designer	Aperture size
C.Y.Chang	C.K.Chang	M.Y.Kang	7H4S(4*5.35)(5.38) 7H046RB4

TEMWELL CORPORATION

# Performance-TF64862B-707M

## 201812020CD

CH1 S11 LOG MAG REF 0.000 dB 5.000 dB/  
CH2 S21 LOG MAG REF 0.000 dB 10.000 dB/



CENTER 707MHz

[ 10.00 dBm ]

SPAN 200MHz

### CH1 MARKER LIST

1:	707.0000MHz	-17.331 dB
2:	717.8333MHz	-8.815 dB
3:	696.3333MHz	-14.599 dB
4:	657.0000MHz	-0.007 dB
5:	757.0000MHz	-0.073 dB

### CH2 MARKER LIST

1:	707.0000MHz	-3.373 dB
2:	717.8333MHz	-6.371 dB
3:	696.3333MHz	-6.334 dB
4:	657.0000MHz	-6.837 dB
5:	757.0000MHz	-49.788 dB