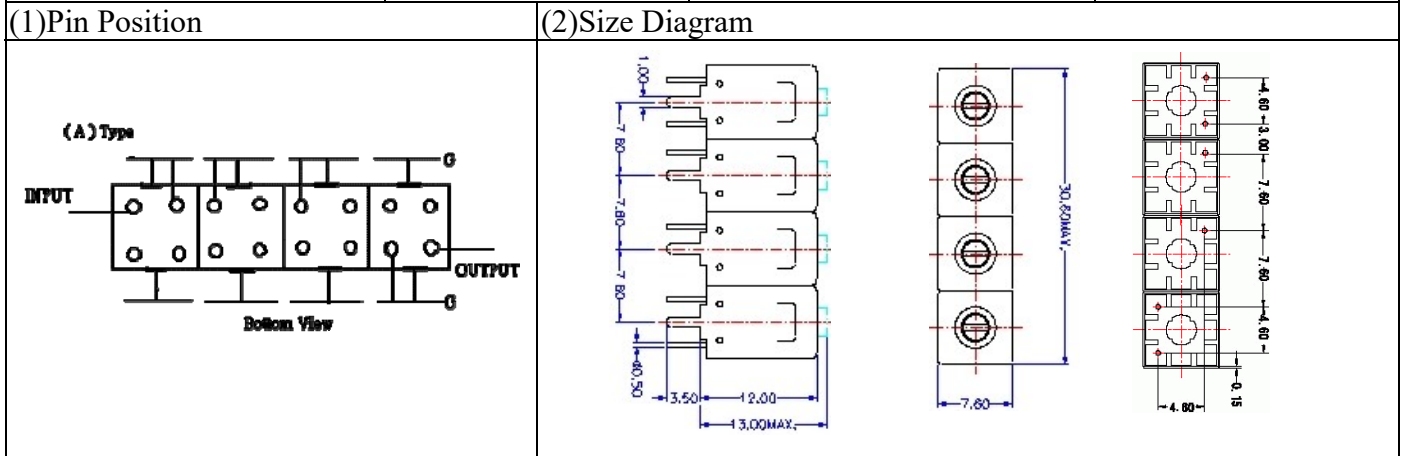


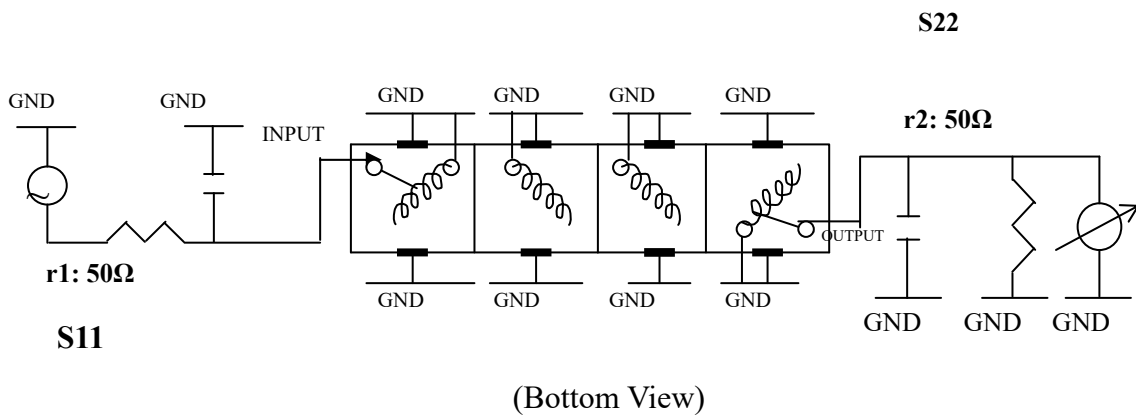
VHF UHF Helical Filter Specification Sheet

Customer Name		Temwell's Part No.	TF64861A-707.5M
Approval No. /dated	201812019CD	Temwell's Print Name	64861A 707.5M
Work Instruction No.	201812019CD	Date	Dec.14.2018



(3)Electric Charasteric			
Item		Specify	Performance
Center Freq.(Fo) +/- 0.5 %		707.5 MHz	707.5 MHz
Insertion Loss		Typ. 4.5 dB	3.46 dB
-3 dB Bandwidth		Typ. 17 MHz	20.6 MHz
Sensitivity (Attenuation)	Fo - 50 MHz	Typ. 58 dBc	68 dBc
	Fo + 50 MHz	Typ. 44 dBc	49 dBc
	Fo - ()MHz	Typ. dBc	dBc
	Fo +()MHz	Typ. dBc	dBc
Return Loss		Min. 12 dB	25.3 dB
Ripple		< 1 dB	dB
Impedance		In / Out : 50 Ω	In / Out : 50 Ω
(4)Torque for Tuning Screw		> 60gf • cm	
(5)Temperature Condition:			
Operating Temperature		0°C ~ +60°C	
Storage Temperature		-20°C ~ +70°C	
(6)Input Power		> 1Watt	

(7) Measuring Circuit: ※Easy to match Impedance S11/S22 50Ω by parallel with about(- -).

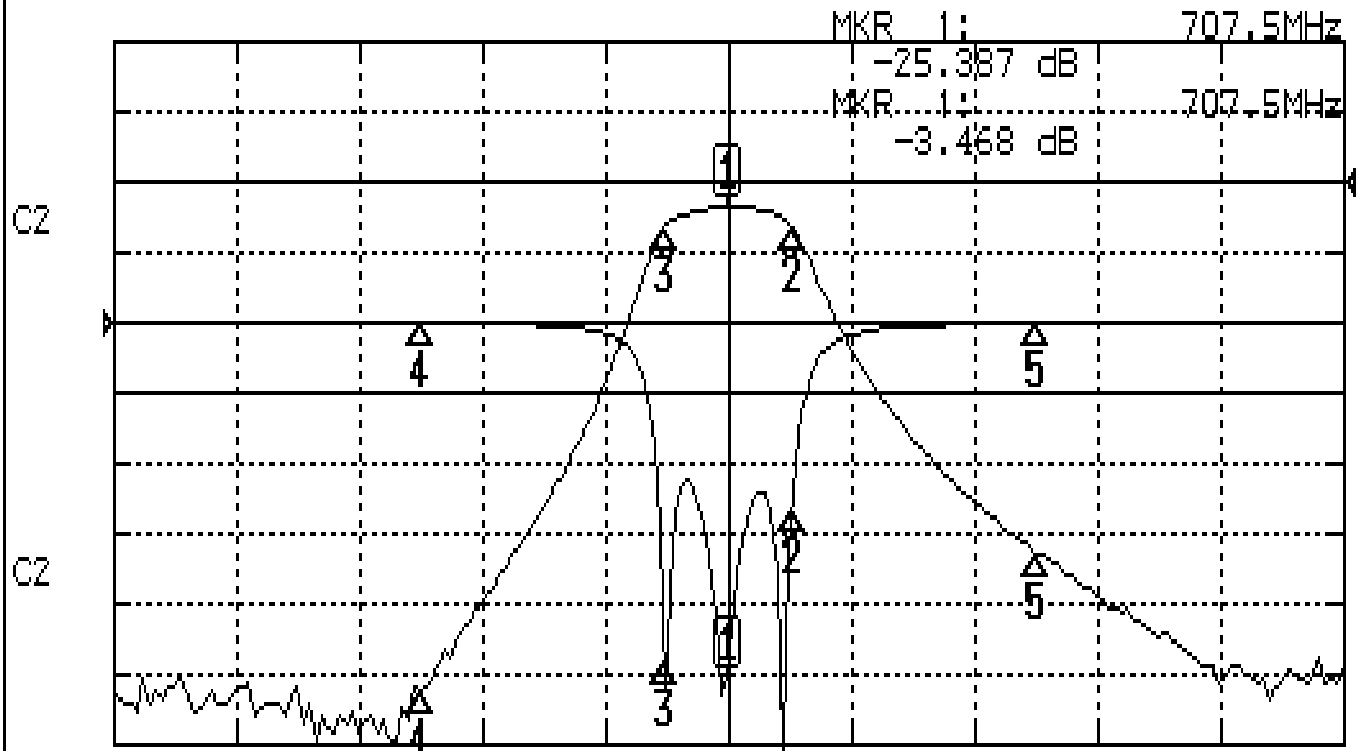


Approval	Supervisor	Designer	Aperture size
C.Y.Chang	C.K.Chang	M.Y.Kang	7H4S(4*5.35)(5.38) 7H046LB4.3 聚 3

Performance-TF64861A-707.5M

201812019CD

CH1 S11 LOG MAG REF 0.000 dB 5.000 dB/
CH2 S21 LOG MAG REF 0.000 dB 10.000 dB/



CENTER 707.5MHz

[10.00 dBm]

SPAN 200MHz

CH1 MARKER LIST

1:	707.500MHz	-25.387	dB
2:	717.950MHz	-13.609	dB
3:	697.260MHz	-23.494	dB
4:	657.500MHz	-0.008	dB
5:	757.500MHz	-0.029	dB

CH2 MARKER LIST

1:	707.500MHz	-3.468	dB
2:	717.950MHz	-6.460	dB
3:	697.260MHz	-6.449	dB
4:	657.500MHz	-72.192	dB
5:	757.500MHz	-52.635	dB