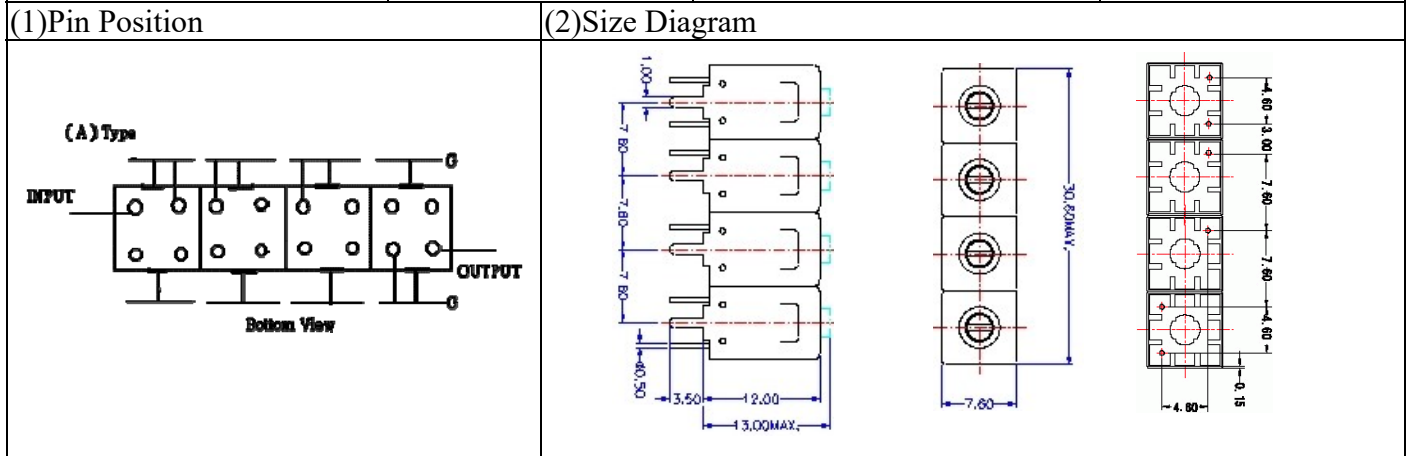


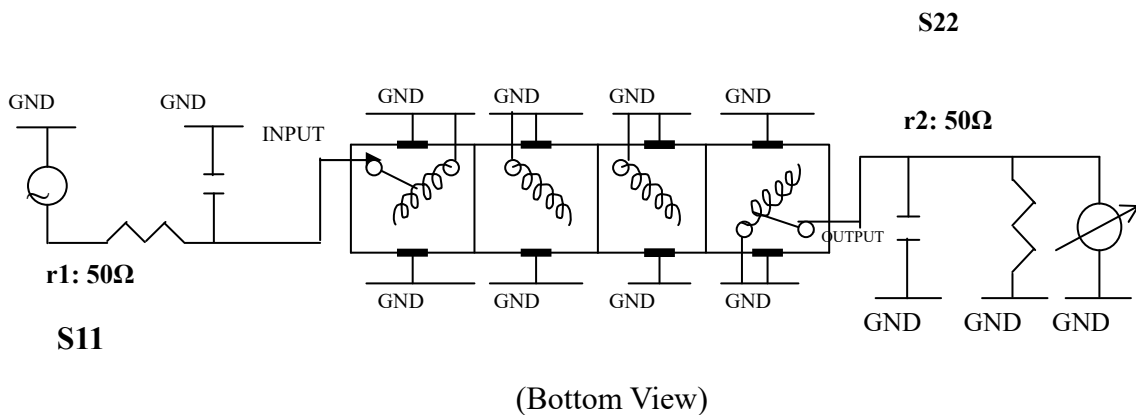
VHF UHF Helical Filter Specification Sheet

Customer Name		Temwell's Part No.	TF64860A-680.5M
Approval No. /dated	201812018CD	Temwell's Print Name	64860A 680.5M
Work Instruction No.	201812018CD	Date	Dec.07.2018



(3) Electric Characteristic			
Item		Specify	Performance
Center Freq.(Fo) +/- 0.5 %		680.5 MHz	680.5 MHz
Insertion Loss		Typ. 3.0 dB	2.06 dB
-3 dB Bandwidth		Typ. 35 MHz	38.4 MHz
Sensitivity (Attenuation)	Fo - 50 MHz	Typ. 44 dBc	49 dBc
	Fo + 50 MHz	Typ. 26 dBc	31 dBc
	Fo - ()MHz	Typ. dBc	dBc
	Fo +()MHz	Typ. dBc	dBc
Return Loss		Min. 12 dB	28.7 dB
Ripple		< 1 dB	dB
Impedance		In / Out : 50 Ω	In / Out : 50 Ω
(4) Torque for Tuning Screw		> 60gf · cm	
(5) Temperature Condition:			
Operating Temperature		0°C ~ +60°C	
Storage Temperature		-20°C ~ +70°C	
(6) Input Power		> 1Watt	

(7) Measuring Circuit: ※Easy to match Impedance S11/S22 50Ω by parallel with about(- -).



Approval	Supervisor	Designer	Aperture size
C.Y.Chang	C.K.Chang	M.Y.Kang	7H4S(4*7.5)(7.56) 7H046LB4.3 聚 3

TEMWELL CORPORATION

TEMWELL

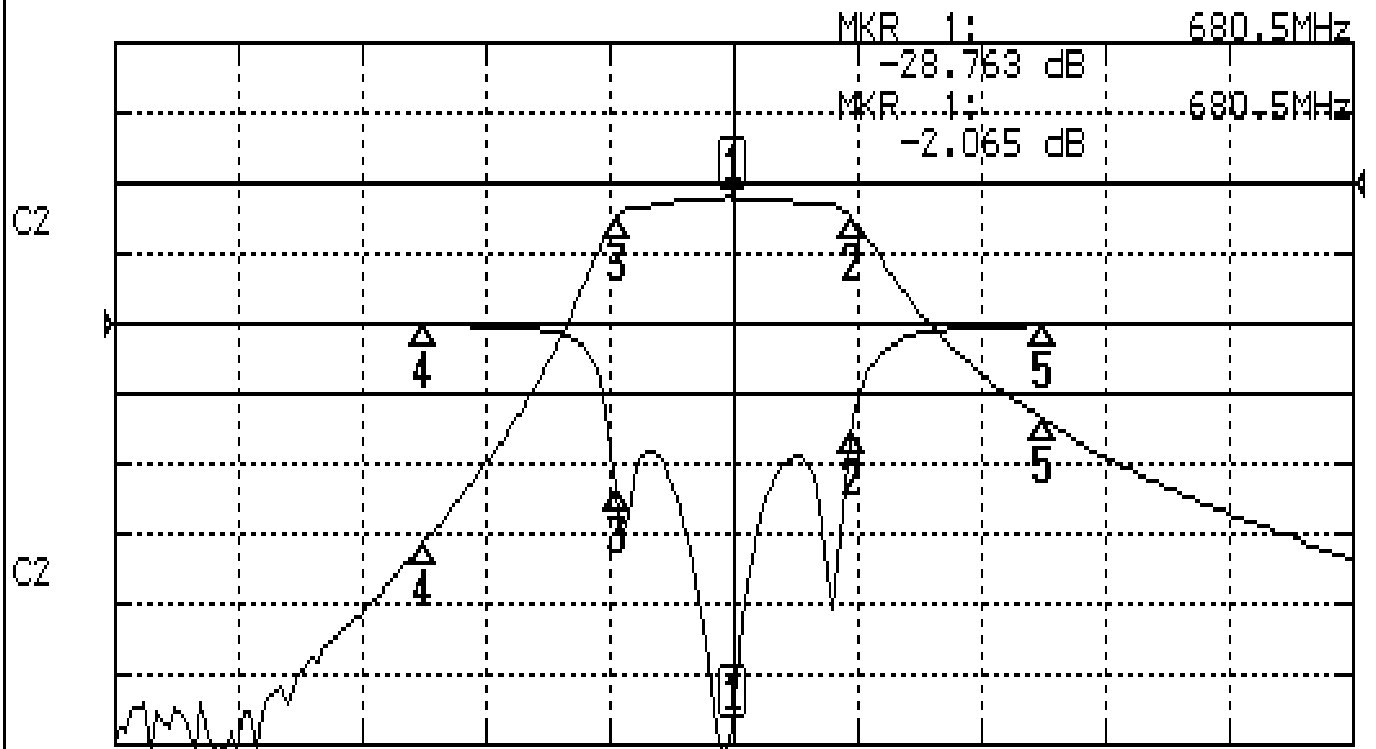
Form10-7H4A Vision D

RP (M.Y)

Performance-TF64860A-680.5M

201812018CD

CH1 S11 LOG MAG REF 0.000 dB 5.000 dB/
CH2 S21 LOG MAG REF 0.000 dB 10.000 dB/



CENTER 680.5MHz

[10.00 dBm]

SPAN 200MHz

CH1 MARKER LIST

1:	680.500MHz	-28.783 dB
2:	699.900MHz	-7.337 dB
3:	661.450MHz	-11.469 dB
4:	630.500MHz	-0.071 dB
5:	730.500MHz	-0.131 dB

CH2 MARKER LIST

1:	680.500MHz	-2.065 dB
2:	699.900MHz	-7.063 dB
3:	661.450MHz	-11.041 dB
4:	630.500MHz	-11.059 dB
5:	730.500MHz	-33.794 dB