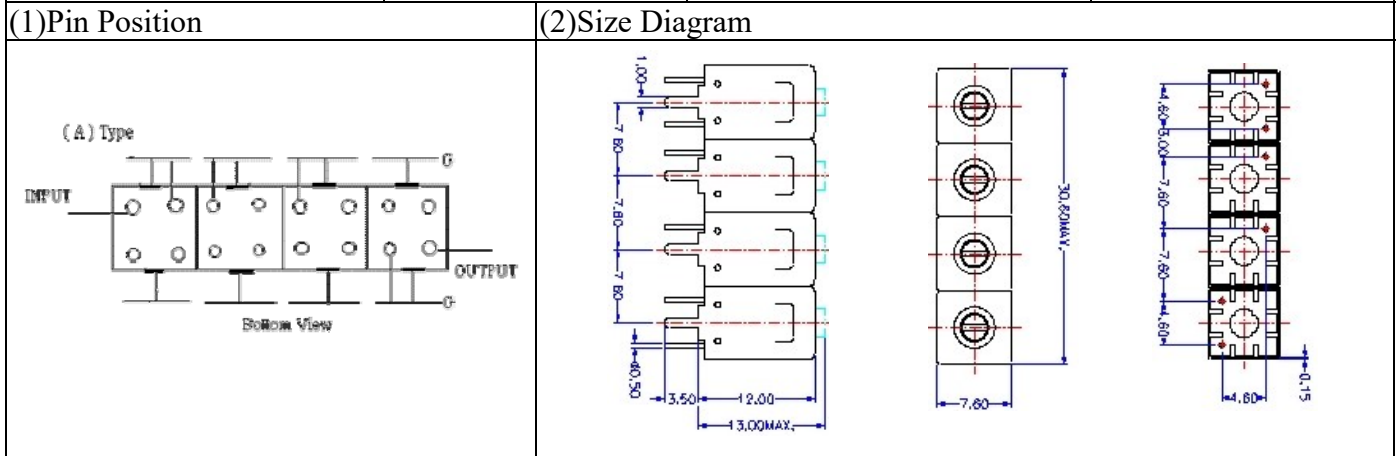


# VHF UHF Helical Filter Specification Sheet

Customer Name		Temwell's Part No.	TF64859A-634.5M
Approval No. /dated	201812017CD	Temwell's Print Name	64859A 634.5M
Work Instruction No.	201812017CD	Date	Dec.05.2018



(3) Electric Characteristic			
Item		Specify	Performance
Center Freq.(Fo) +/- 0.5 %		634.5 MHz	634.5 MHz
Insertion Loss		Typ. 3.0 dB	1.96 dB
-3 dB Bandwidth		Typ. 35 MHz	38.0 MHz
Sensitivity (Attenuation)	Fo - 100 MHz	Typ. 63 dBc	73 dBc
	Fo + 100 MHz	Typ. 46 dBc	51 dBc
	Fo - ( )MHz	Typ. dBc	dBc
	Fo +( )MHz	Typ. dBc	dBc
Return Loss		Min. 12 dB	33.6 dB
Ripple		< 1 dB	dB
Impedance		In / Out : 50 Ω	In / Out : 50 Ω

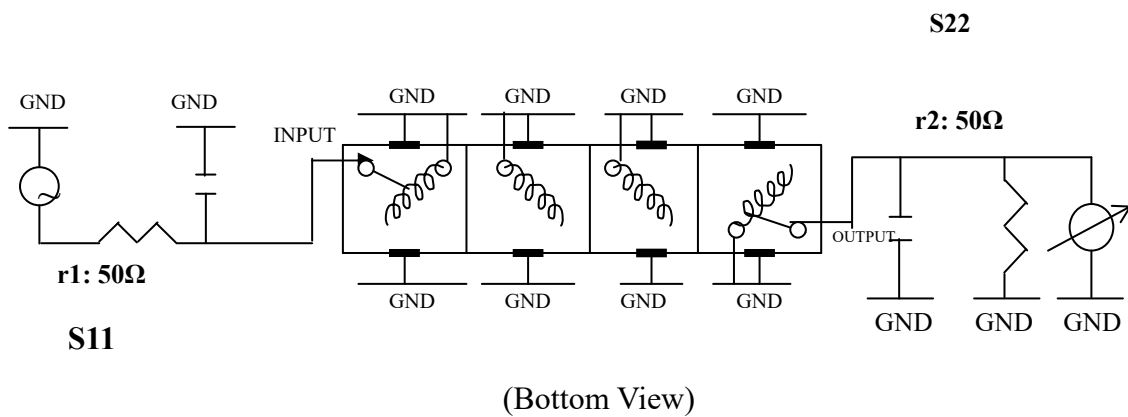
(4) Torque for Tuning Screw > 60gf · cm

(5) Temperature Condition:

Operating Temperature	0°C ~ +60°C
Storage Temperature	20°C ~ +70°C

(6) Input Power > 1 Watt

(7) Measuring Circuit: ※Easy to match Impedance S11/S22 50Ω/ by parallel with about(--)

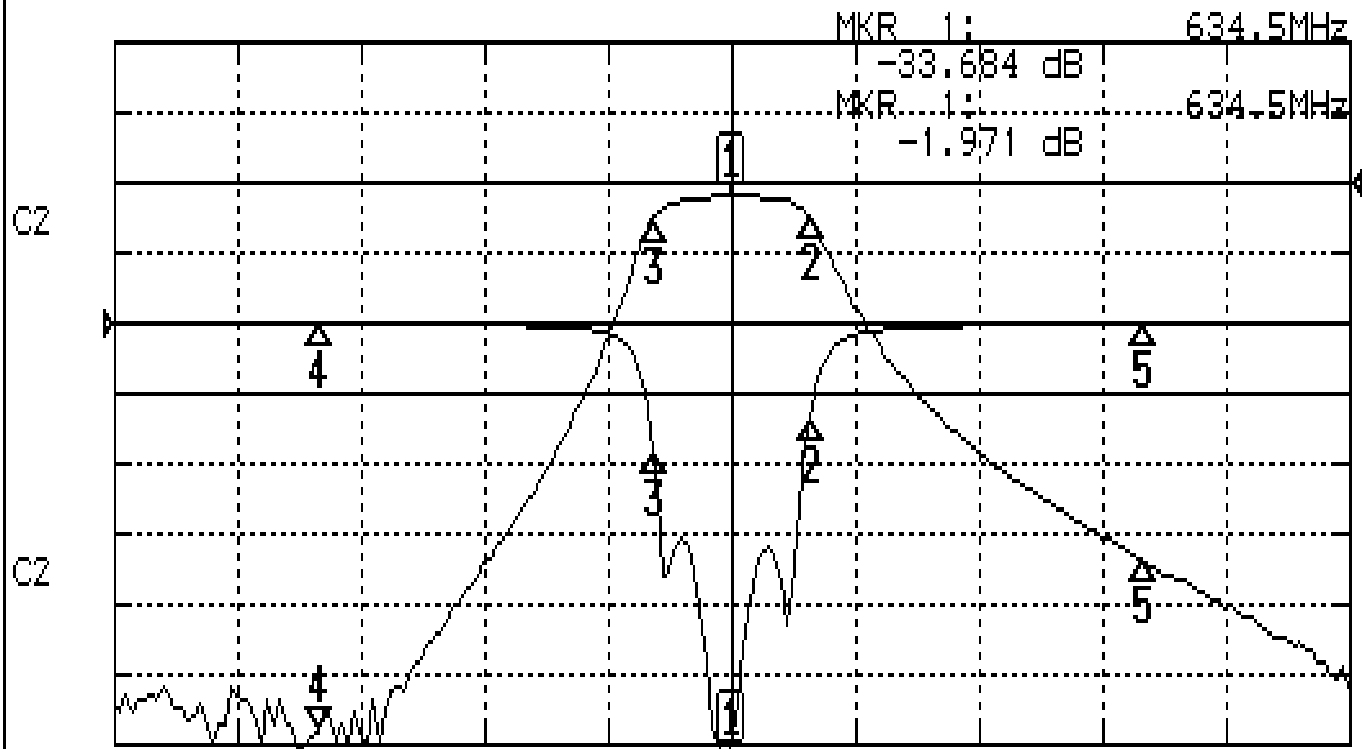


Approval C.Y.Chang	Supervisor C.K.Chang	Designer C.H.Yeh	Aperture size 7H4S(4*5.5)(5.58) 7H046LB5
TEMWELL CORPORATION			

# Performance-TF64859A-634.5M

## 201812017CD

CH1 S11 LOG MAG REF 0.000 dB 5.000 dB/  
CH2 S21 LOG MAG REF 0.000 dB 10.000 dB/



CENTER 634.5MHz

[ 10.00 dBm ]

SPAN 300MHz

### CH1 MARKER LIST

1:	634.500MHz	-33.684	dB
2:	653.520MHz	-16.666	dB
3:	615.500MHz	-19.151	dB
4:	534.500MHz	-10.027	dB
5:	734.500MHz	-0.029	dB

### CH2 MARKER LIST

1:	634.500MHz	-1.968	dB
2:	653.520MHz	-4.937	dB
3:	615.500MHz	-4.961	dB
4:	534.500MHz	-75.873	dB
5:	734.500MHz	-53.667	dB