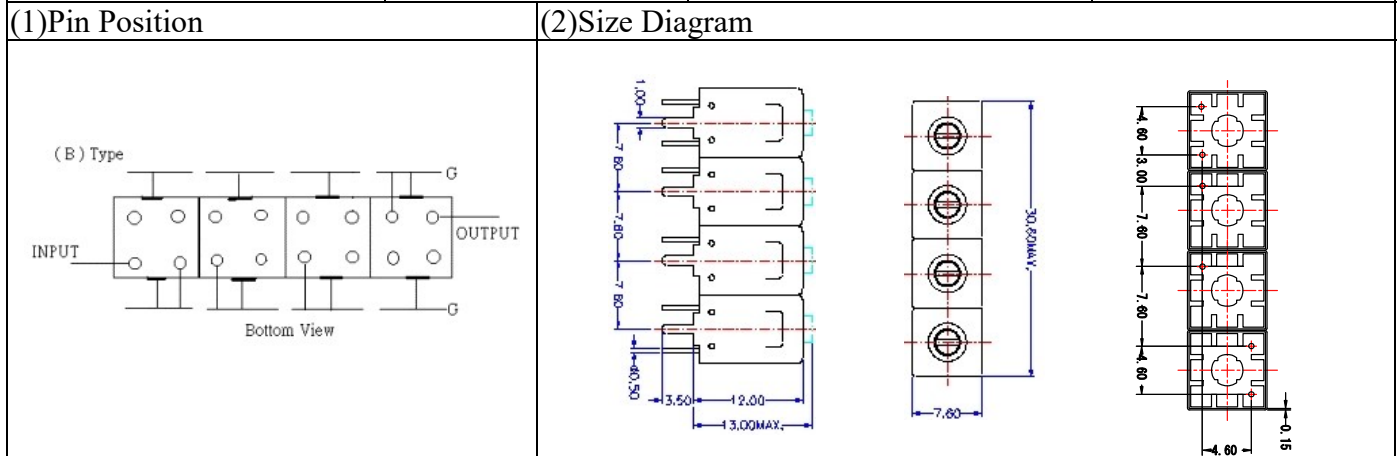


VHF UHF Helical Filter Specification Sheet

| | | | |
|----------------------|-------------|----------------------|----------------|
| Customer Name | | Temwell's Part No. | TF64851B-455M |
| Approval No. /dated | 201812009CD | Temwell's Print Name | 64851B 455M |
| Work Instruction No. | 201812009CD | Date | Dec.05.2018 |



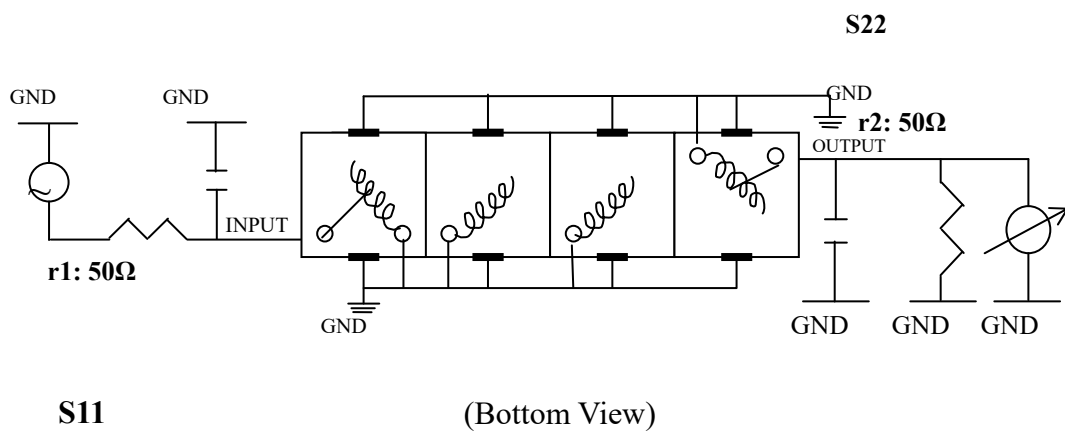
| (3) Electric Characteristic | | | |
|------------------------------|-------------|-----------------|-----------------|
| Item | | Specify | Performance |
| Center Freq.(Fo) +/- 0.5 % | | 455 MHz | 455 MHz |
| Insertion Loss | | 7.0 dB | 5.94 dB |
| -3 dB Bandwidth | | Typ. 5 MHz | 7.7 MHz |
| Sensitivity (Attenuation) | Fo - 50 MHz | Typ. 60 dB | 79 dB |
| | Fo +50 MHz | Typ. 60 dB | 79 dB |
| | Fo - ()MHz | Typ. dB | dB |
| | Fo +()MHz | Typ. dB | dB |
| Return Loss | | Min. 12 dB | 22.7 dB |
| Ripple | | < 1 dB | dB |
| Impedance | | In / Out : 50 Ω | In / Out : 50 Ω |

(4) Torque for Tuning Screw > 60gf • cm

| (5) Temperature Condition: | |
|----------------------------|---------------|
| Operating Temperature | 0°C ~ +60°C |
| Storage Temperature | -20°C ~ +70°C |

(6) Input Power > 1 Watt

(7) Measuring Circuit: ※Easy to match Impedance S11/S22 50Ω by parallel with about(- -).



| | | | |
|-----------|------------|------------|--------------------------------------|
| Approval | Supervisor | Designer | Aperture size |
| C.Y.Chang | C.K.Chang | P.H.Chiang | 7H4S(4*4.65)(4.67) 7H046RB4.3 聚 3 |

TEMWELL CORPORATION

Performance-TF64851B-455M

201812009CD

