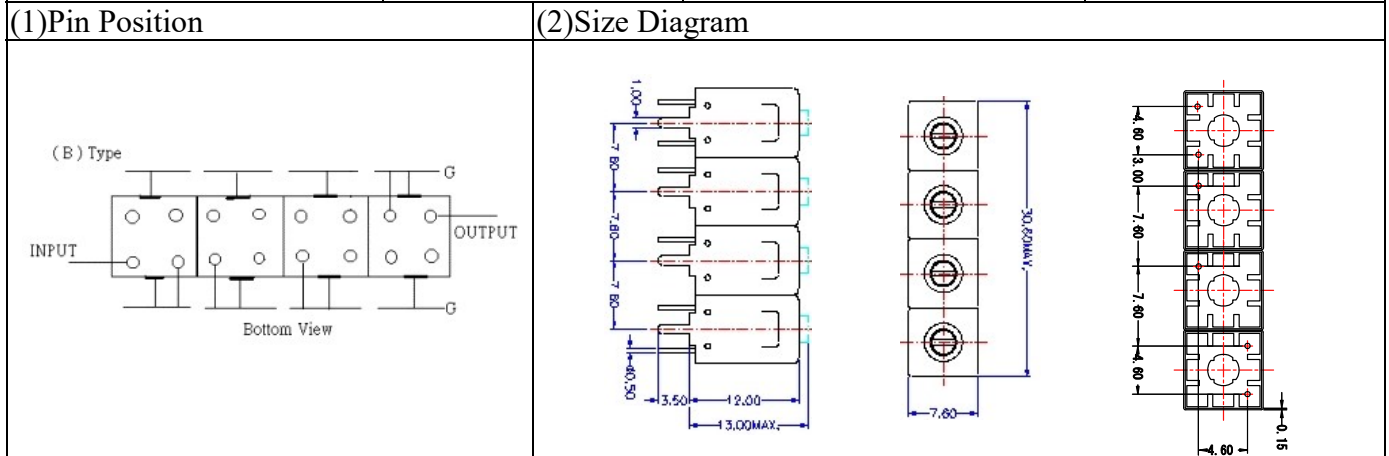


# VHF UHF Helical Filter Specification Sheet

Customer Name		Temwell's Part No.	TF64850B-454M
Approval No. /dated	201812008CD	Temwell's Print Name	64850B 454M
Work Instruction No.	201812008CD	Date	Dec.04.2018



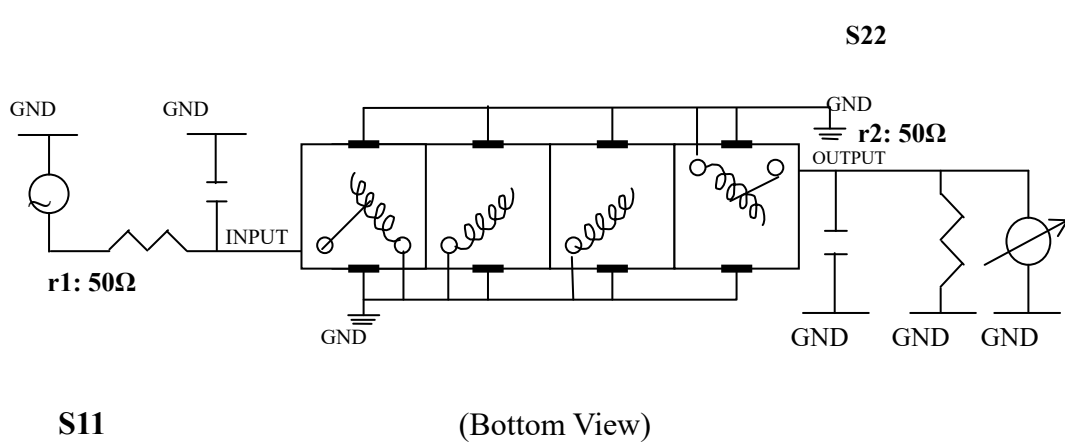
(3) Electric Characteristic			
Item		Specify	Performance
Center Freq.(Fo) +/- 0.5 %		454 MHz	454 MHz
Insertion Loss		6.0 dB	5.02 dB
-3 dB Bandwidth		Typ. 7 MHz	9.2 MHz
Sensitivity (Attenuation)	Fo - 50 MHz	Typ. 60 dB	81 dB
	Fo +50 MHz	Typ. 60 dB	76 dB
	Fo - ( )MHz	Typ. dB	dB
	Fo +( )MHz	Typ. dB	dB
Return Loss		Min. 12 dB	23.1 dB
Ripple		< 1 dB	dB
Impedance		In / Out : 50 Ω	In / Out : 50 Ω

(4) Torque for Tuning Screw > 60gf · cm

(5) Temperature Condition:	
Operating Temperature	0°C ~ +60°C
Storage Temperature	-20°C ~ +70°C

(6) Input Power > 1Watt

(7) Measuring Circuit: ※Easy to match Impedance S11/S22 50Ω by parallel with about(- -).



Approval	Supervisor	Designer	Aperture size
C.Y.Chang	C.K.Chang	P.H.Chiang	7H4S(4*4.65)(4.69) 7H046RB4.3 聚 3

TEMWELL CORPORATION

# Performance-TF64850B-454M

## 201812008CD

