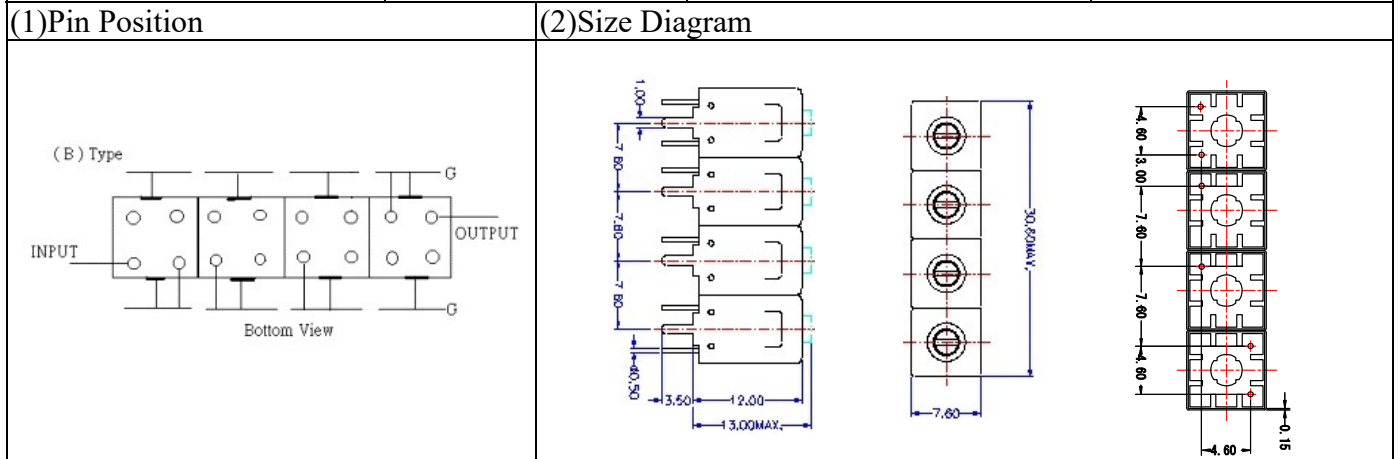


# VHF UHF Helical Filter Specification Sheet

Customer Name		Temwell's Part No.	TF64848B-452.5M
Approval No. /dated	201812006CD	Temwell's Print Name	64848B 452.5M
Work Instruction No.	201812006CD	Date	Dec.04.2018



### (3) Electric Characteristic

Item	Specify	Performance
Center Freq.(Fo) +/- 0.5 %	452.5 MHz	452.5 MHz
Insertion Loss	7.0 dB	5.97 dB
-3 dB Bandwidth	Typ. 5 MHz	7.4 MHz
Sensitivity (Attenuation)	Fo - 50 MHz	Typ. 65 dBc
	Fo +50 MHz	Typ. 68 dBc
	Fo - ( )MHz	Typ. dBc
	Fo +( )MHz	Typ. dBc
Return Loss	Min. 12 dB	19.8 dB
Ripple	< 1 dB	
Impedance	In / Out : 50 Ω	In / Out : 50 Ω

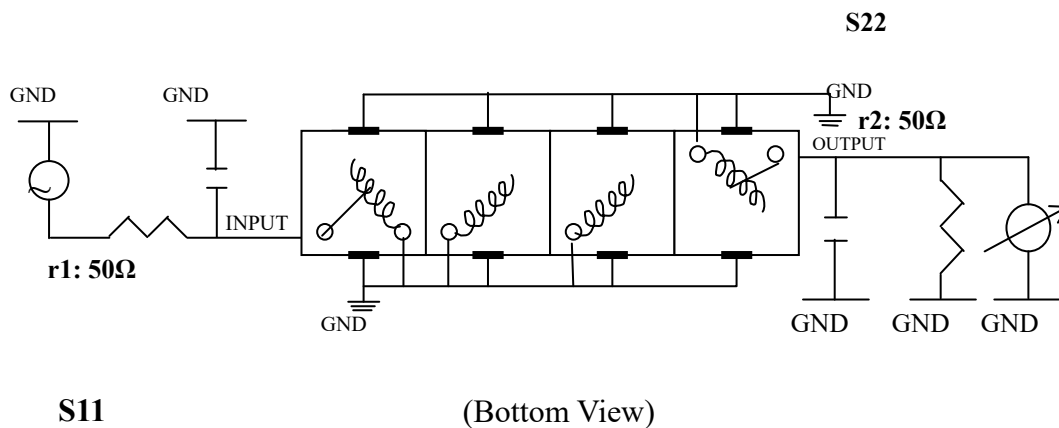
(4) Torque for Tuning Screw > 60gf · cm

(5) Temperature Condition:

Operating Temperature	0°C ~ +60°C
Storage Temperature	-20°C ~ +70°C

(6) Input Power > 1 Watt

(7) Measuring Circuit: ※Easy to match Impedance S11/S22 50Ω by parallel with about(- -).



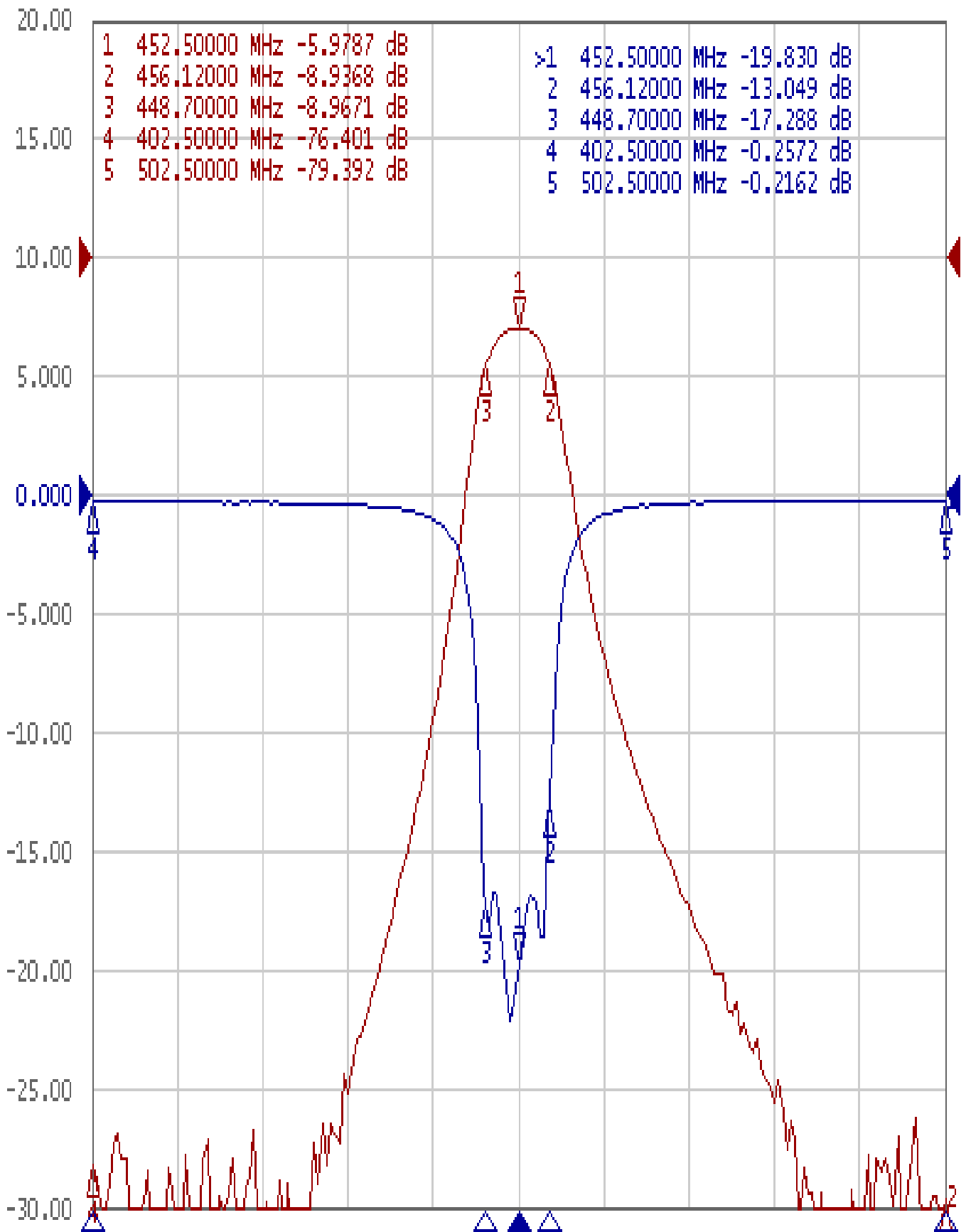
Approval	Supervisor	Designer	Aperture size
C.Y.Chang	C.K.Chang	W.W.Wang	7H4S(4*4.65)(4.68) 7H046RB4.3 聚 3

TEMWELL CORPORATION

# Performance-TF64848B-452.5M

## 201812006CD

Tr1 S11 Log Mag 5.000dB/ Ref 0.000dB [F2]  
Tr2 S21 Log Mag 10.00dB/ Ref 0.000dB [F2]



1 Center 452.5 MHz

IFBW 70 kHz

Span 100 MHz Cor !