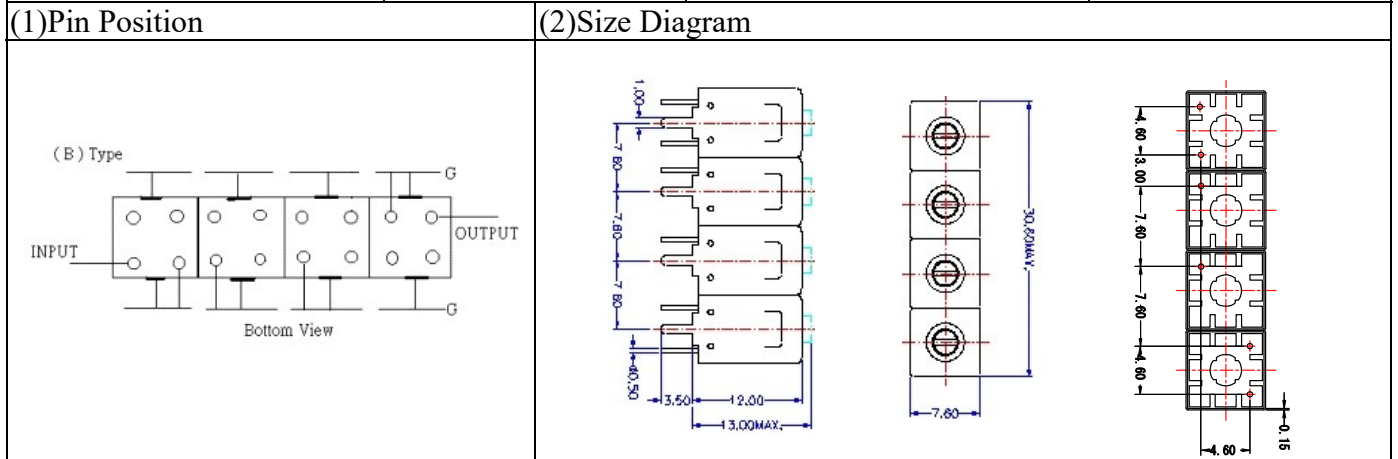


# VHF UHF Helical Filter Specification Sheet

Customer Name		Temwell's Part No.	TF64846B-425M
Approval No. /dated	201812004CD	Temwell's Print Name	64846B 425M
Work Instruction No.	201812004CD	Date	Dec.06.2018



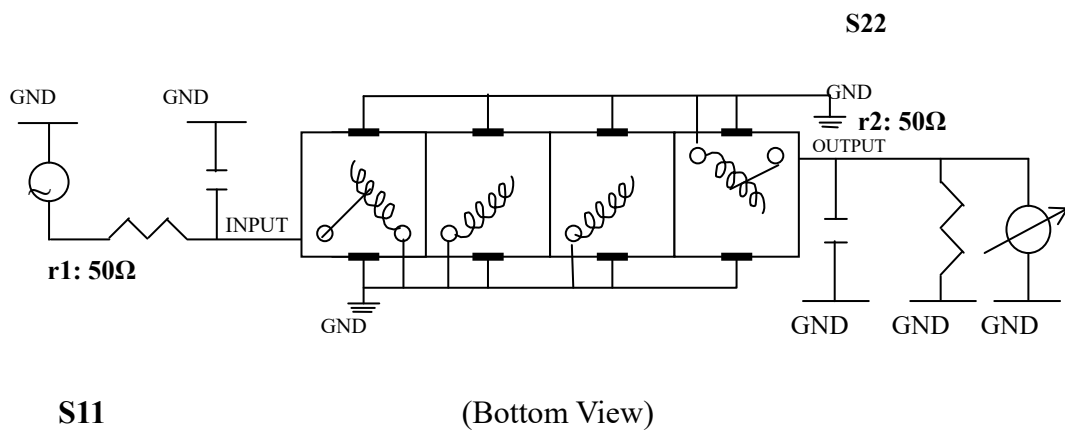
(3) Electric Characteristic			
Item		Specify	Performance
Center Freq.(Fo) +/- 0.5 %		425 MHz	425 MHz
Insertion Loss		Typ. 5.0 dB	3.91 dB
-3 dB Bandwidth		Typ. 10 MHz	12.0 MHz
Sensitivity (Attenuation)	Fo - 50 MHz	Typ. 67 dBc	77 dBc
	Fo +50 MHz	Typ. 59 dBc	64 dBc
	Fo - ( )MHz	Typ. dBc	dBc
	Fo +( )MHz	Typ. dBc	dBc
Return Loss		Min. 12 dB	31.3 dB
Ripple		< 1 dB	dB
Impedance		In / Out : 50 Ω	In / Out : 50 Ω

(4) Torque for Tuning Screw > 60gf · cm

(5) Temperature Condition:	
Operating Temperature	0°C ~ +60°C
Storage Temperature	-20°C ~ +70°C

(6) Input Power > 1 Watt

(7) Measuring Circuit: ※Easy to match Impedance S11/S22 50Ω by parallel with about(- -).

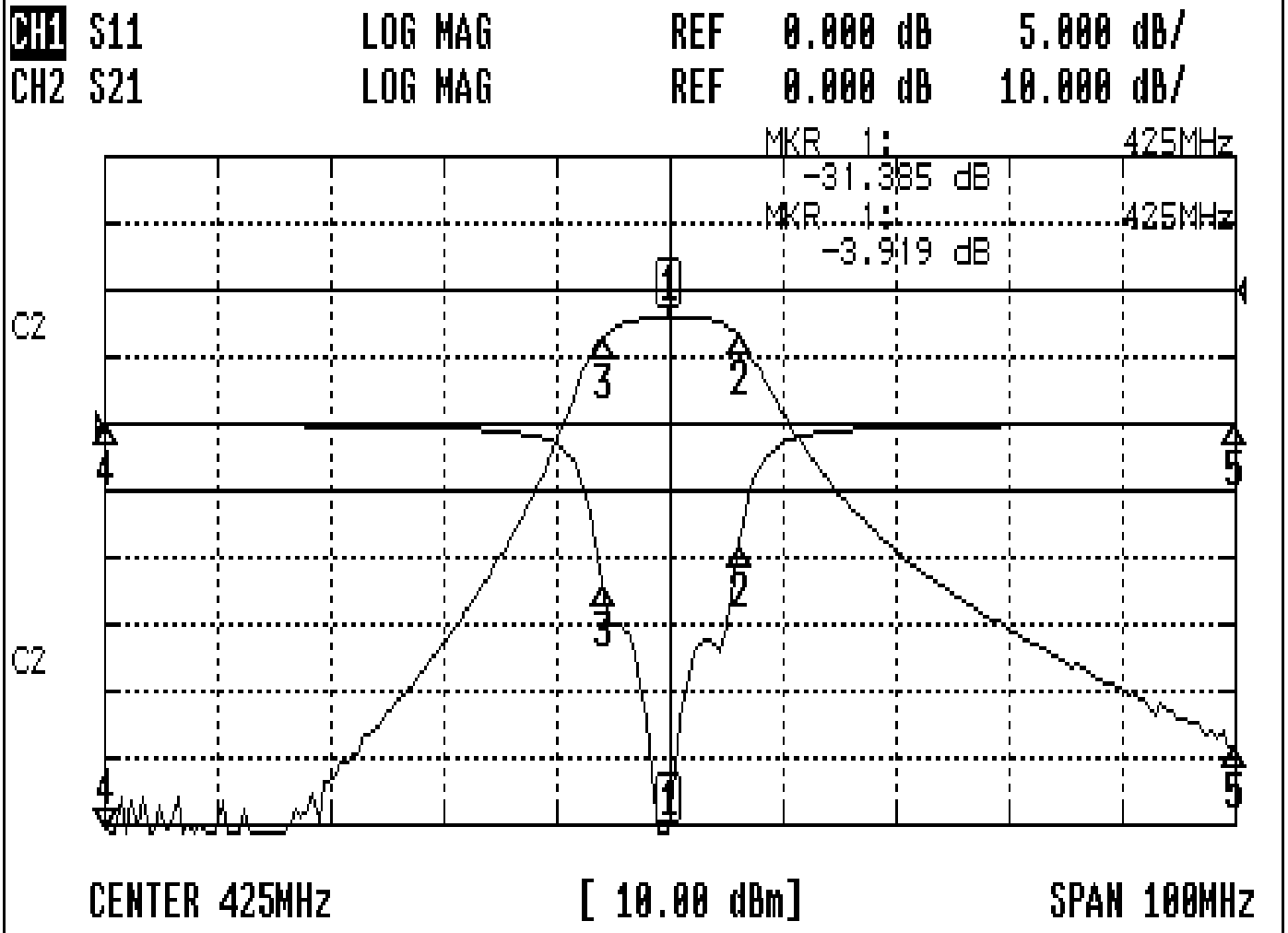


Approval	Supervisor	Designer	Aperture size
C.Y.Chang	C.K.Chang	C.H.Yeh	7H4S(4*5.6)(5.67) 7H046RB4

TEMWELL CORPORATION

# Performance-TF64846B-425M

## 201812004CD



### CH1 MARKER LIST

1:	425.000MHz	-31.385 dB
2:	431.180MHz	-8.923 dB
3:	419.083MHz	-12.088 dB
4:	375.000MHz	-0.073 dB
5:	475.000MHz	-0.055 dB

### CH2 MARKER LIST

1:	425.000MHz	-3.919 dB
2:	431.180MHz	-6.911 dB
3:	419.083MHz	-6.942 dB
4:	375.000MHz	-81.114 dB
5:	475.000MHz	-68.128 dB