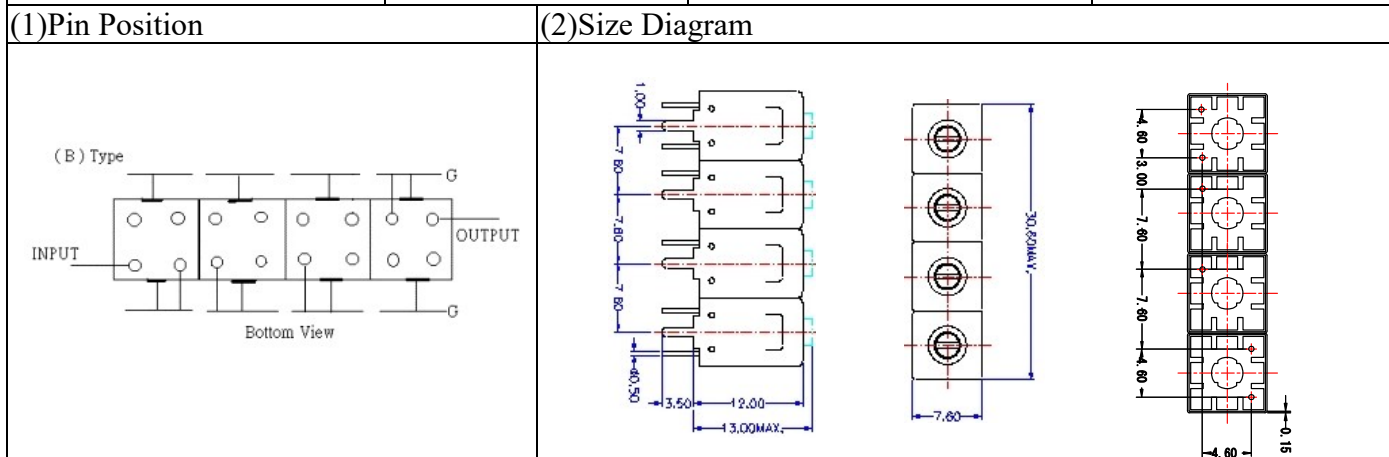


VHF UHF Helical Filter Specification Sheet

Customer Name		Temwell's Part No.	TF64845B-415M
Approval No. /dated	201812003CD	Temwell's Print Name	64845B 415M
Work Instruction No.	201812003CD	Date	Dec.07.2018



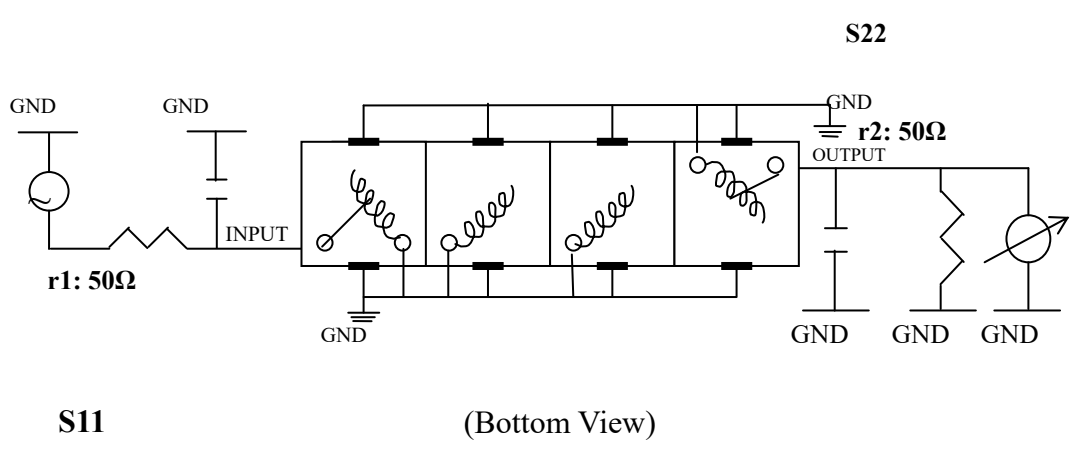
(3) Electric Characteristic		Specify	Performance
Center Freq.(Fo) +/- 0.5 %		415 MHz	415 MHz
Insertion Loss		Typ. 5.0 dB	3.83 dB
-3 dB Bandwidth		Typ. 10 MHz	12.1 MHz
Sensitivity (Attenuation)	Fo - 50 MHz	Typ. 63 dBc	73 dBc
	Fo +50 MHz	Typ. 58 dBc	68 dBc
	Fo - ()MHz	Typ. dBc	dBc
	Fo +()MHz	Typ. dBc	dBc
Return Loss		Min. 12 dB	24.9 dB
Ripple		< 1 dB	dB
Impedance		In / Out : 50 Ω	In / Out : 50 Ω

(4) Torque for Tuning Screw > 60gf · cm

(5) Temperature Condition:	
Operating Temperature	0°C ~ +60°C
Storage Temperature	-20°C ~ +70°C

(6) Input Power > 1Watt

(7) Measuring Circuit: ※Easy to match Impedance S11/S22 50Ω by parallel with about(- -).



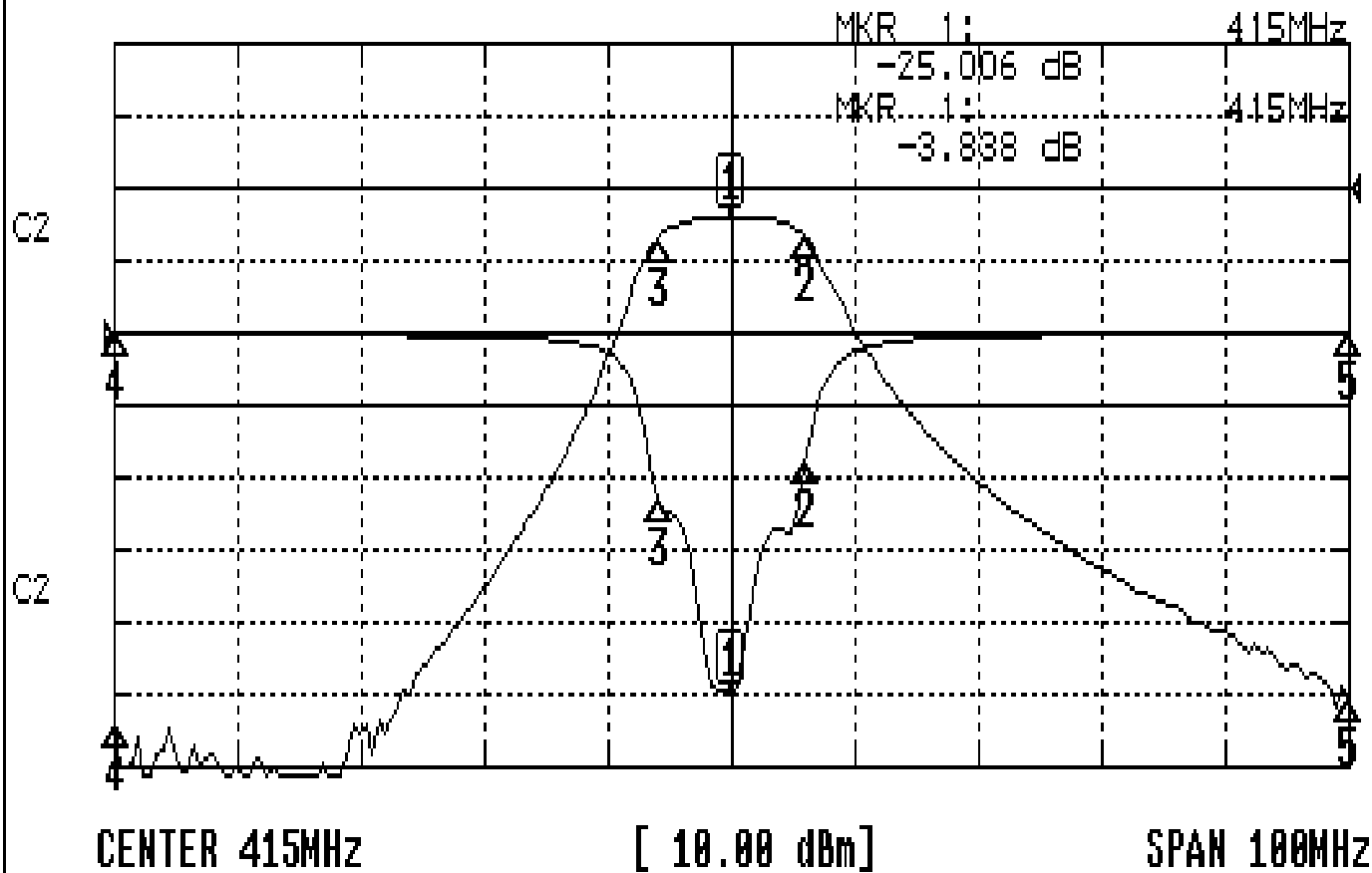
Approval	Supervisor	Designer	Aperture size
C.Y.Chang	C.K.Chang	C.H.Yeh	7H4S(4*5.6)(5.68) 7H046RB4

TEMWELL CORPORATION

Performance-TF64845B-415M

201812003CD

CH1 S11 LOG MAG REF 0.000 dB 5.000 dB/
CH2 S21 LOG MAG REF 0.000 dB 10.000 dB/



CH1 MARKER LIST

1:	415.000MHz	-24.980	dB
2:	421.110MHz	-8.631	dB
3:	409.000MHz	-11.433	dB
4:	365.000MHz	-0.060	dB
5:	465.000MHz	-0.047	dB
6:			
7:			
8:			
9:			
10:			

CH2 MARKER LIST

1:	415.000MHz	-3.838	dB
2:	421.110MHz	-6.835	dB
3:	409.000MHz	-6.851	dB
4:	365.000MHz	-77.620	dB
5:	465.000MHz	-72.015	dB
6:			
7:			
8:			
9:			
10:			