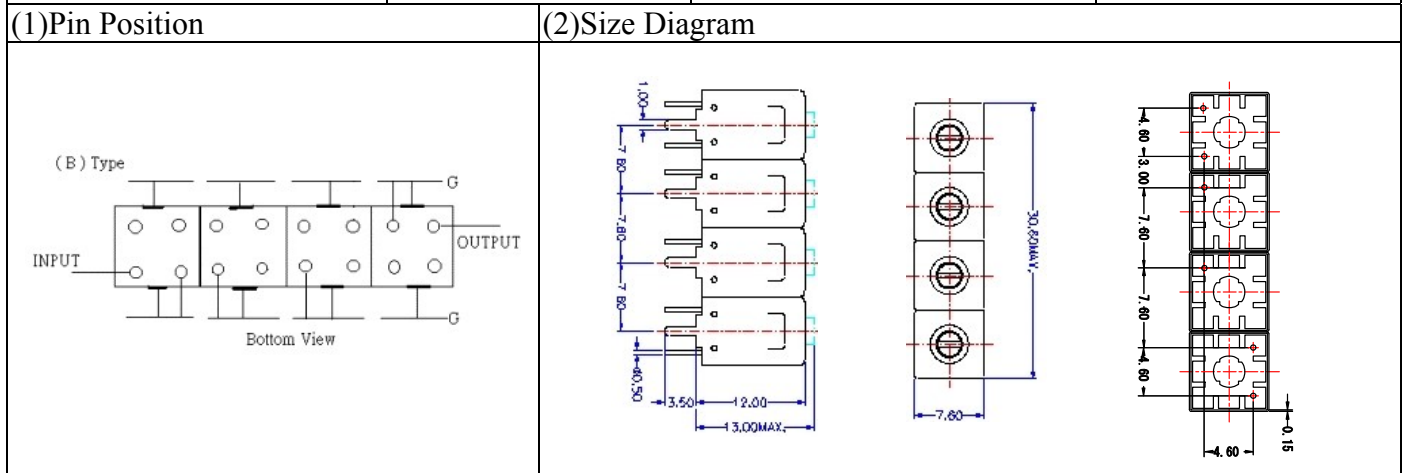


VHF UHF Helical Filter Specification Sheet

Customer Name		Temwell's Part No.	TF64803B-1282M-120M
Approval No. /dated	201805049CD	Temwell's Print Name	64803B 1282M
Work Instruction No.	201805049CD	Date	Jun.21.2018



(3) Electric Characteristic

Item	Specify	Performance	
Center Freq.(Fo) +/- 0.5 %	1282 MHz	1282 MHz	
Insertion Loss	Typ. 3.0 dB	1.93 dB	
-3 dB Bandwidth	Typ. 120 MHz	128.0 MHz	
Sensitivity (Attenuation)	Fo - 150 MHz	Typ. 41 dBc	44 dBc
	Fo + 150 MHz	Typ. 24 dBc	28 dBc
	Fo - ()MHz	Typ. dBc	dBc
	Fo +()MHz	Typ. dBc	dBc
Return Loss	Min. 12 dB	30.2 dB	
Ripple	< 1 dB	dB	
Impedance	In / Out : 50 Ω	In / Out : 50 Ω	

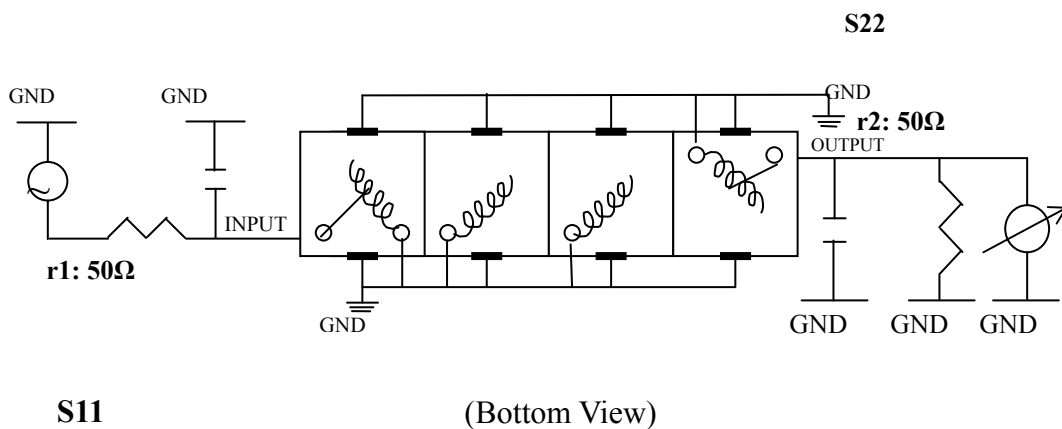
(4) Torque for Tuning Screw > 60gf · cm

(5) Temperature Condition:

Operating Temperature	0°C ~ +60°C
Storage Temperature	-20°C ~ +70°C

(6) Input Power > 1 Watt

(7) Measuring Circuit: ※ Easy to match Impedance S11/S22 50Ω by parallel with about(- -).



Approval	Supervisor	Designer	Aperture size
C.Y.Chang	C.K.Chang	Z.Y.Wang	7H4S(4*6.35)(6.38) 7H046RB6.5

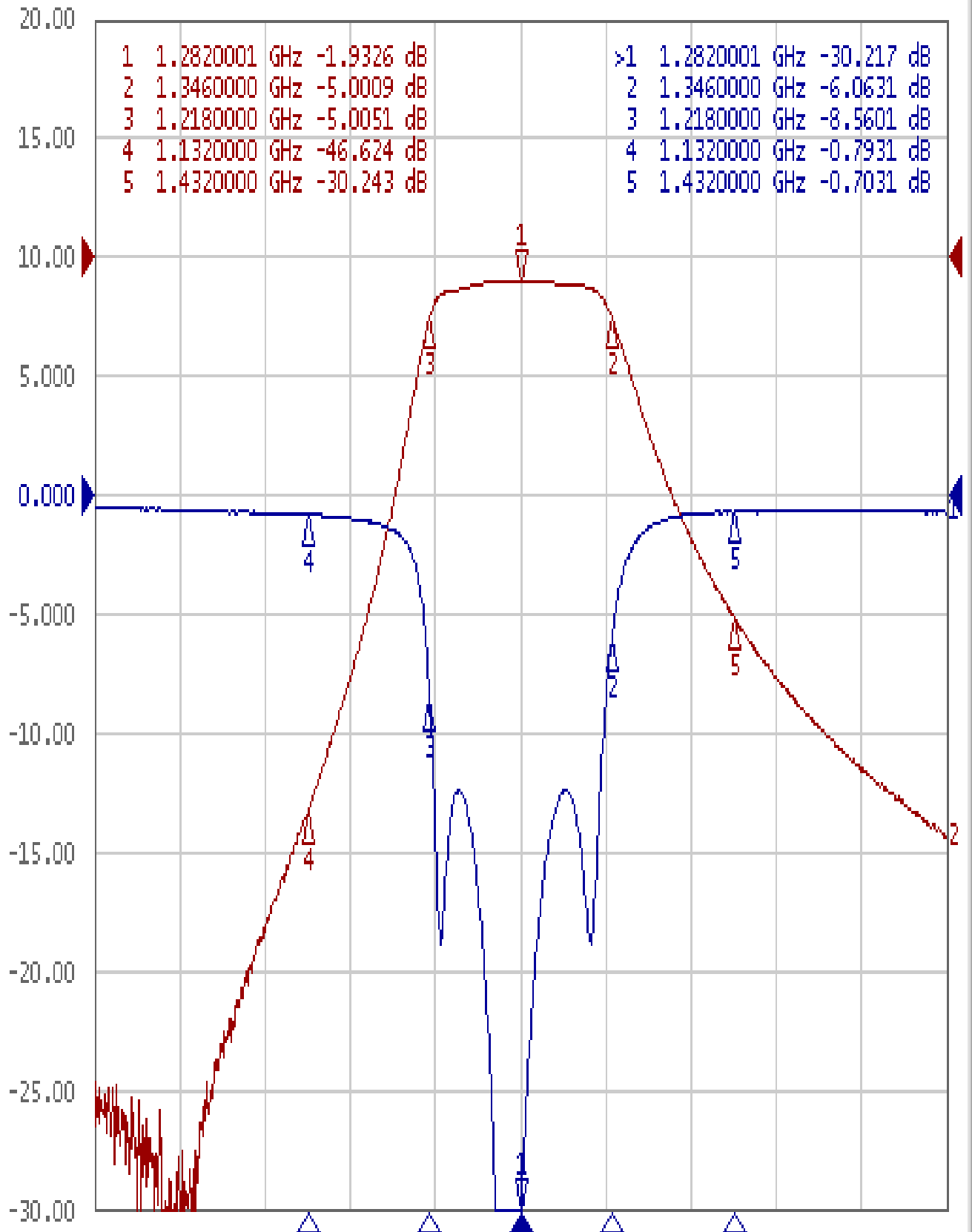
TEMWELL CORPORATION

Performance-TF64803B-1282M-120M

201805049CD

Tr1 S11 Log Mag 5.000dB/ Ref 0.000dB [F2]

Tr2 S21 Log Mag 10.00dB/ Ref 0.000dB [F2]



1 Center 1.282 GHz

IFBW 70 kHz

Span 600 MHz Cor !