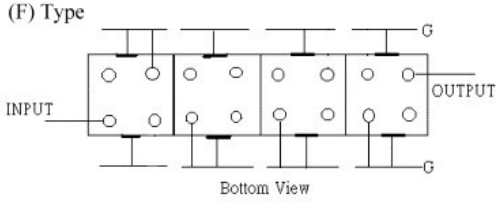
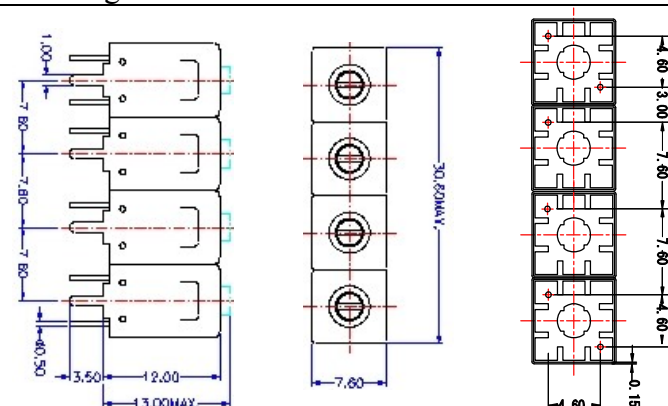


VHF UHF Helical Filter Specification Sheet

Customer Name		Temwell's Part No.	TF64794F-223.5M-20M
Approval No. /dated	201805040CD	Temwell's Print name	64794F 223.5M
Work Instruction No.	201805040CD	Date	May.29.2018

(1)Pin Position	(2)Size Diagram
<p>(F) Type</p>  <p>Bottom View</p>	

(3)Electric Charasteric

Item	Specify	Performance	
Center Freq.(Fo) +/- 0.5 %	223.5 MHz	223.5 MHz	
Insertion Loss	Typ. 3.0 dB	2.17 dB	
-3 dB Bandwidth	Typ. 20 MHz	21.3 MHz	
Sensitivity (Attenuation)	Fo - 100 MHz	Typ. 60 dBc	71 dBc
	Fo + 100 MHz	Typ. 80 dBc	95 dBc
	Fo - MHz	Typ. dBc	dBc
	Fo + MHz	Typ. dBc	dBc
Return Loss	Min. 12 dB	18.0 dB	
Ripple	< 1 dB	dB	
Impedance	In / Out : 50 Ω	In / Out : 50 Ω	

(4)Torque for Tuning Screw > 60gf · cm

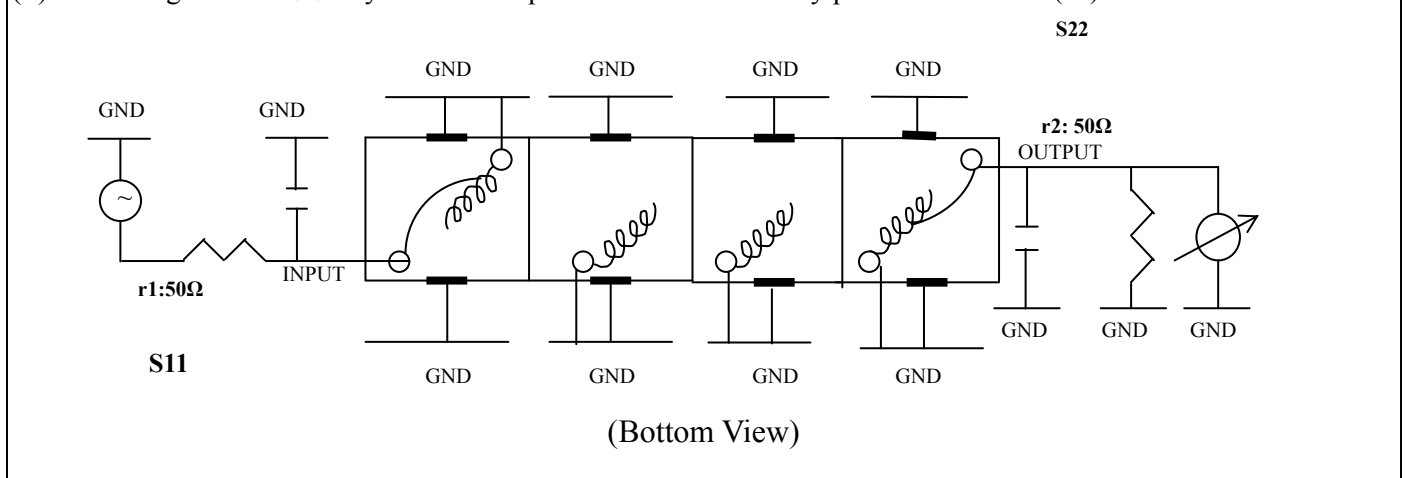
(5)Temperature Condition:

Operating Temperature 0°C ~ +60°C

Storage Temperature -20°C ~ +70°C

(6)Input Power > 1Watt

(7) Measuring Circuit: ※Easy to match Impedance S11/S22 50Ω by parallel with about(- -).



Approval	Supervisor	Designer	Aperture size
C.Y.Chang	C.K.Chang	P.H.Chiang	7H4S(4*6.35)(6.39) 7H046RB6.5-J1

TEMWELL CORPORATION

Performance-TF64794F-223.5M-20M

201805040CD

