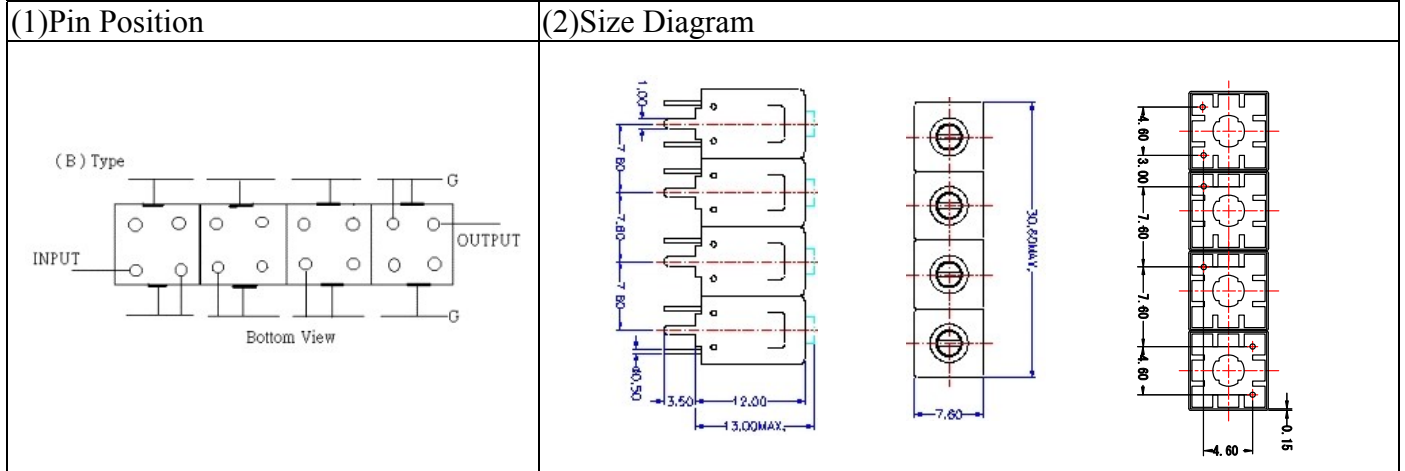
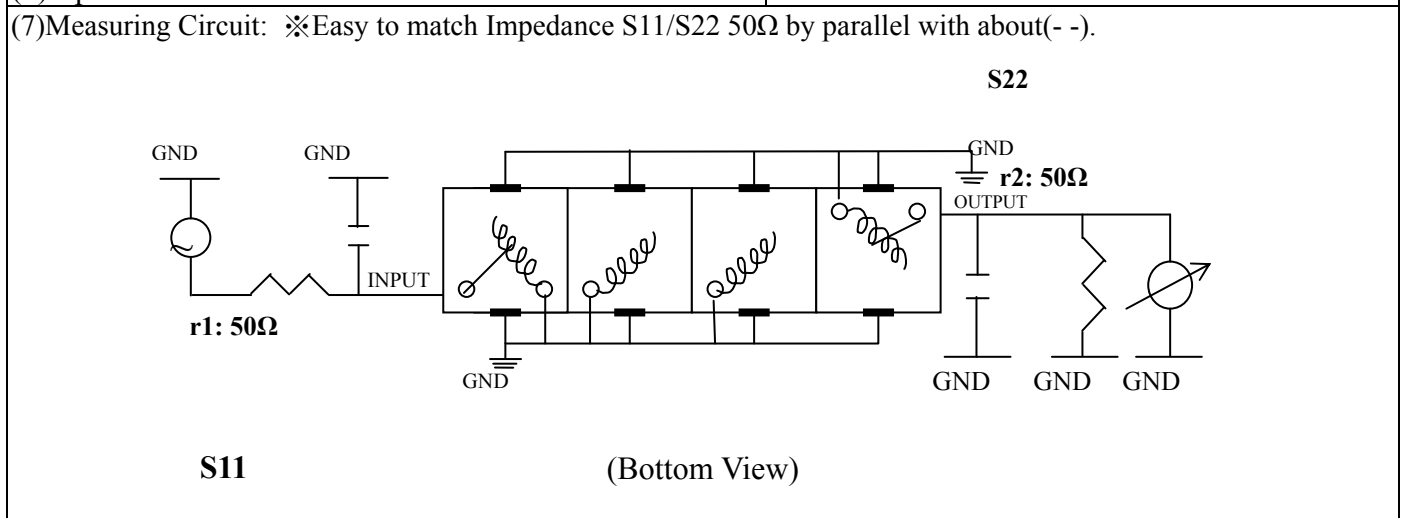


VHF UHF Helical Filter Specification Sheet

Customer Name		Temwell's Part No.	TF64790B-146M-10M
Approval No. /dated	201805036CD	Temwell's Print Name	64790B 146M
Work Instruction No.	201805036CD	Date	May.29.2018



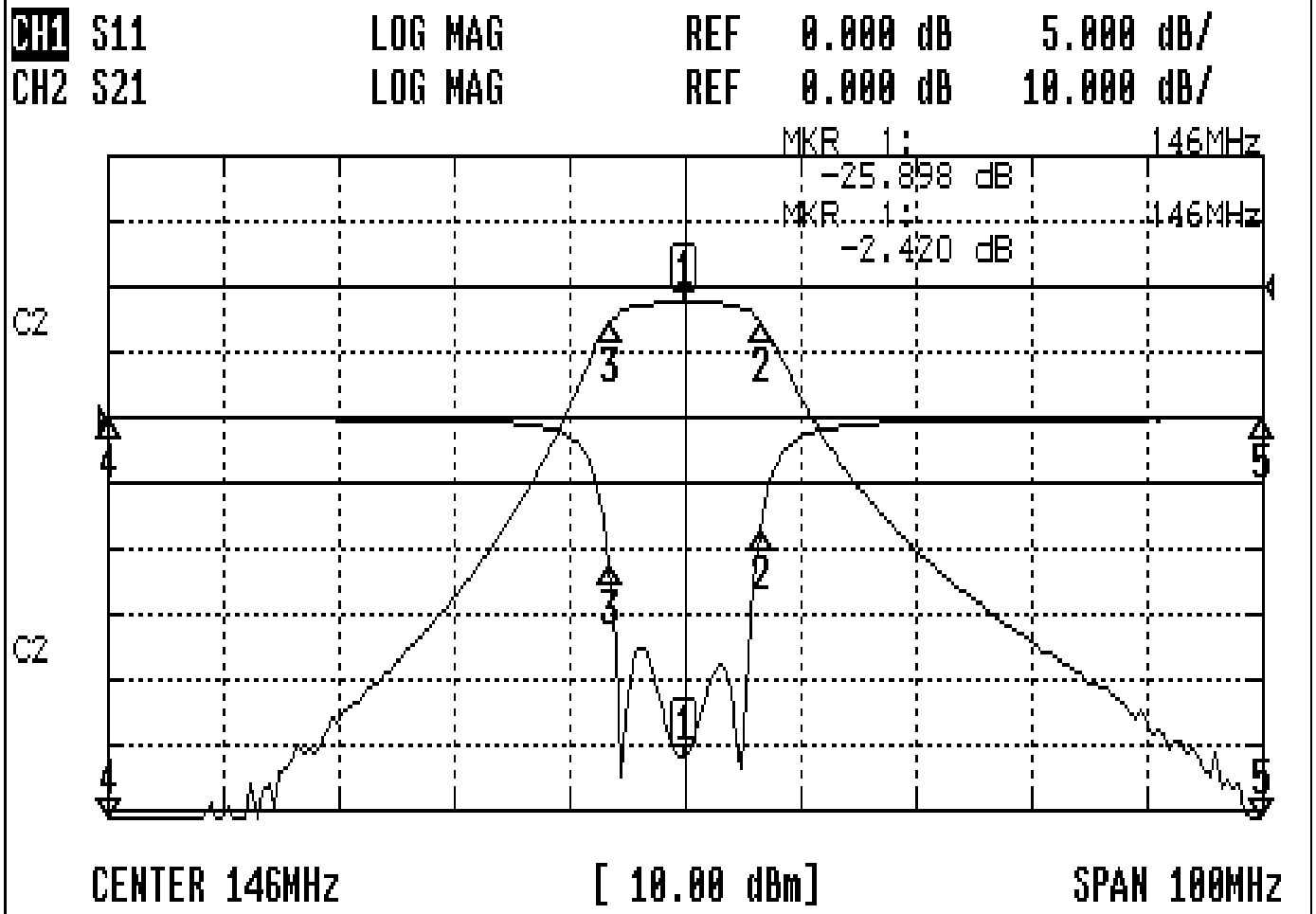
(3) Electric Characteristic			
Item	Specify		Performance
Center Freq.(Fo) +/- 0.5 %	146	MHz	146 MHz
Insertion Loss	Typ. 3.0	dB	2.42 dB
-3 dB Bandwidth	Typ. 10	MHz	13.0 MHz
Sensitivity (Attenuation)	Fo - 50 MHz	Typ. 75 dBc	86 dBc
	Fo + 50 MHz	Typ. 70 dBc	80 dBc
	Fo - ()MHz	Typ. dBc	dBc
	Fo +()MHz	Typ. dBc	dBc
Return Loss	Min. 12	dB	25.8 dB
Ripple	< 1	dB	dB
Impedance	In / Out : 50 Ω		In / Out : 50 Ω
(4) Torque for Tuning Screw		> 60gf · cm	
(5) Temperature Condition:			
Operating Temperature		0°C ~ +60°C	
Storage Temperature		-20°C ~ +70°C	
(6) Input Power		> 1Watt	



Approval	Supervisor	Designer	Aperture size
C.Y.Chang	C.K.Chang	M.Y.Kang	7H4S(4*4.65)(4.70) 7H024RB6.5
TEMWELL CORPORATION			

Performance-TF64790B-146M-10M

201805036CD



CH1 MARKER LIST

Marker	Frequency (MHz)	Magnitude (dB)
1	146.000MHz	-25.898
2	152.560MHz	-8.555
3	139.480MHz	-11.141
4	96.000MHz	-0.105
5	196.000MHz	-0.129

CH2 MARKER LIST

Marker	Frequency (MHz)	Magnitude (dB)
1	146.000MHz	-2.420
2	152.560MHz	-11.438
3	139.480MHz	-11.438
4	96.000MHz	-88.760
5	196.000MHz	-83.000