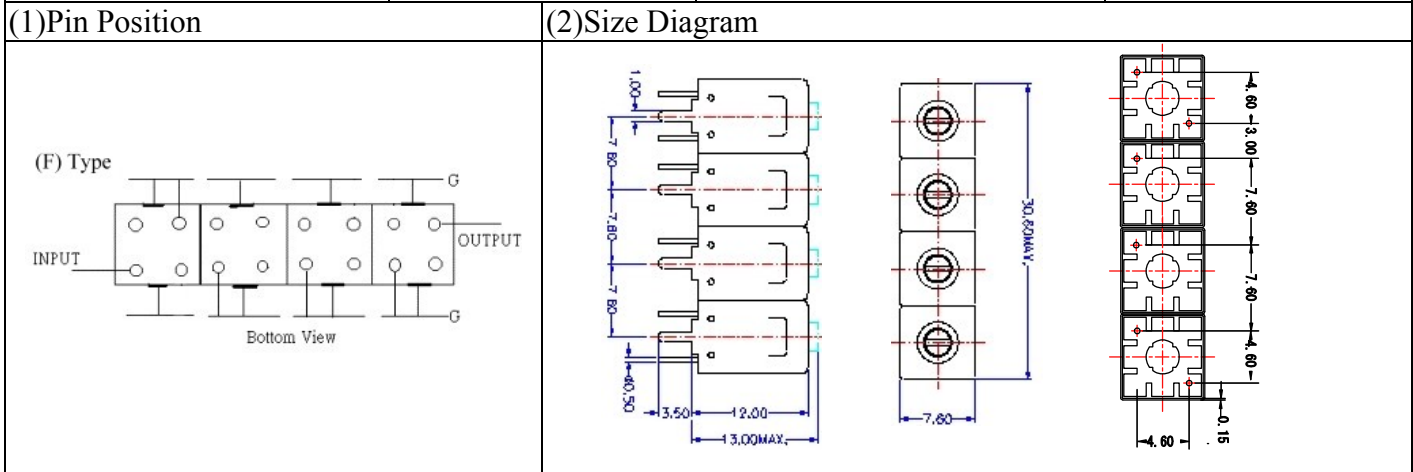


# VHF UHF Helical Filter Specification Sheet

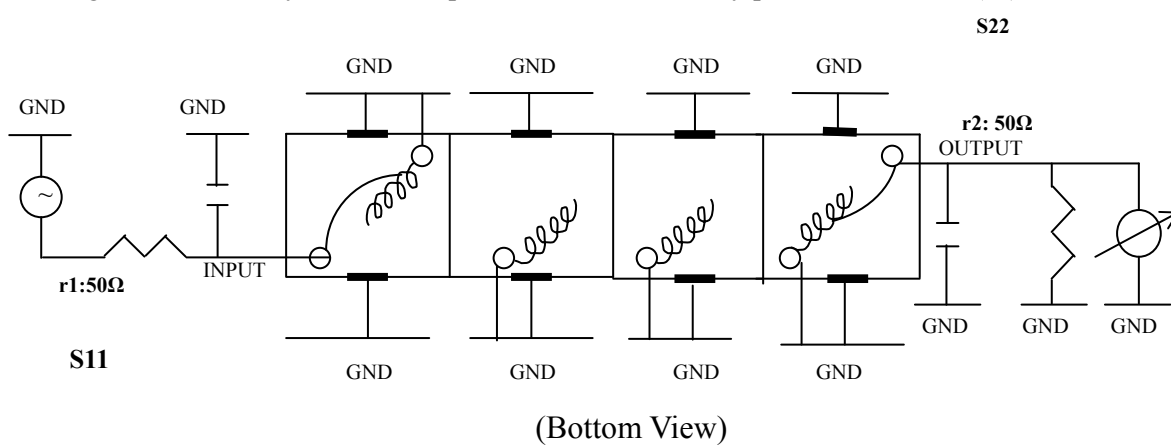
Customer Name		Temwell's Part No.	TF64729F-425M
Approval No. /dated	201710026CD	Temwell's Print name	64729F 425M
Work Instruction No.	201710026CD	Date	Nov.08.2017



(3) Electric Characteristic

Item	Specify	Performance
Center Freq.(Fo) +/- 0.5 %	425 MHz	425 MHz
Insertion Loss	Typ. 1.5 dB	0.66 dB
-1 dB Bandwidth	Typ. 90 MHz	94.1 MHz
Sensitivity (Attenuation)	Fo - 200 MHz	Typ. 62 dBc
	Fo + 200 MHz	Typ. 43 dBc
	Fo - MHz	Typ. dBc
	Fo + MHz	Typ. dBc
Return Loss	Min. 12 dB	17.4 dB
Ripple	< 1 dB	dB
Impedance	In / Out : 50 Ω	In / Out : 50 Ω
(4) Torque for Tuning Screw	> 60gf · cm	
(5) Temperature Condition:		
Operating Temperature	0°C ~ +60°C	
Storage Temperature	-20°C ~ +70°C	
(6) Input Power	> 1Watt	

(7) Measuring Circuit: ※Easy to match Impedance S11/S22 50Ω by parallel with about(- -).

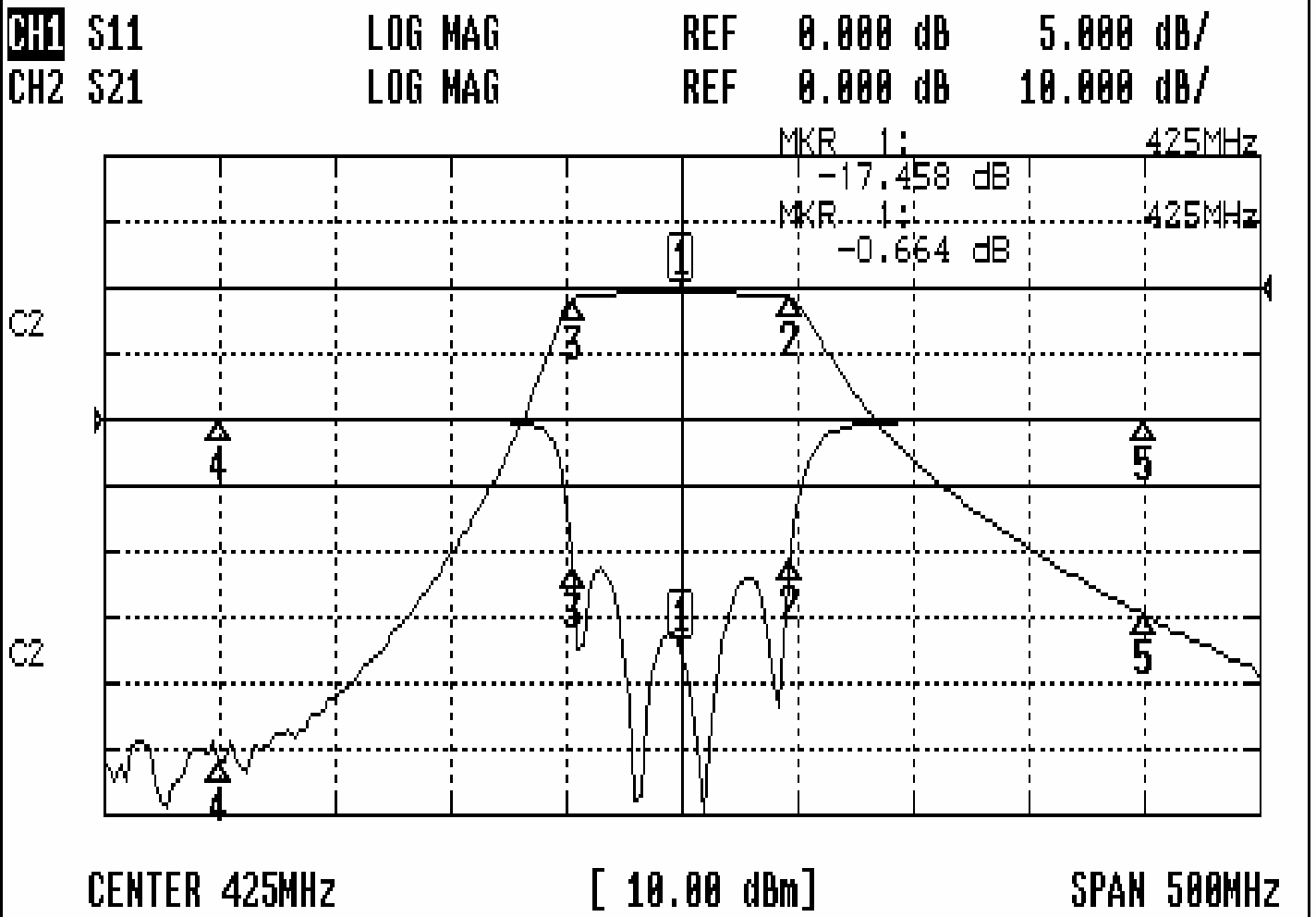


Approval	Supervisor	Designer	Aperture size
C.Y.Chang	C.K.Chang	M.Y.Kang	7H4S(4*8.0)(8.06) 7H046RB6.5 (J1)

TEMWELL CORPORATION

# Performance-TF64729F-425M

## 201710026CD



### CH1 MARKER LIST

1:	425.000MHz	-17.458	dB
2:	472.083MHz	-10.652	dB
3:	377.916MHz	-11.270	dB
4:	225.000MHz	-0.011	dB
5:	625.000MHz	0.050	dB

### CH2 MARKER LIST

1:	425.000MHz	-0.664	dB
2:	472.083MHz	-1.636	dB
3:	377.916MHz	-1.654	dB
4:	225.000MHz	-71.561	dB
5:	625.000MHz	-49.476	dB