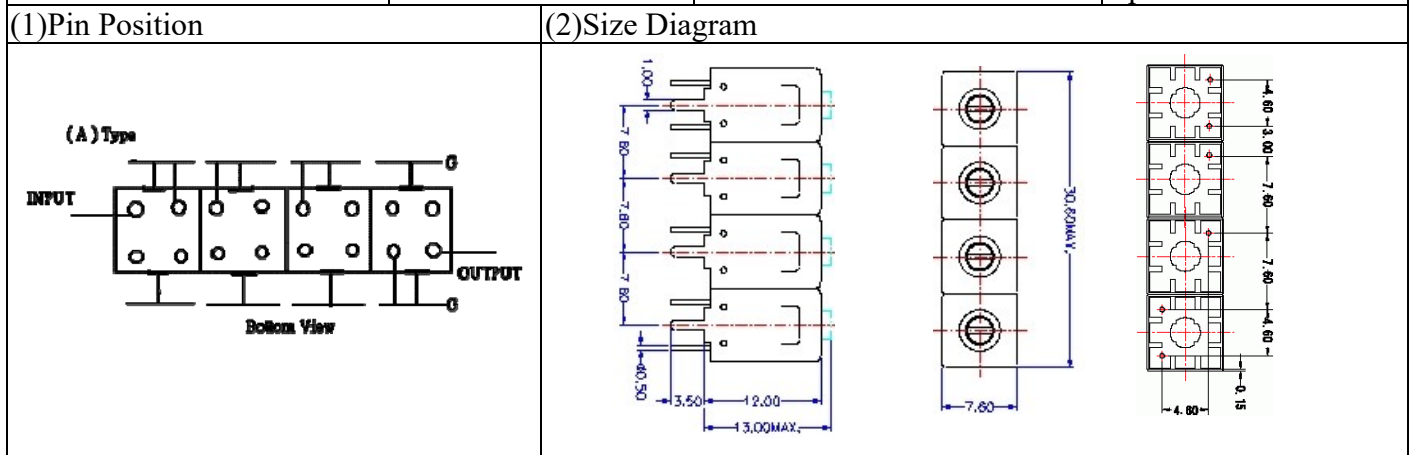


VHF UHF Helical Filter Specification Sheet

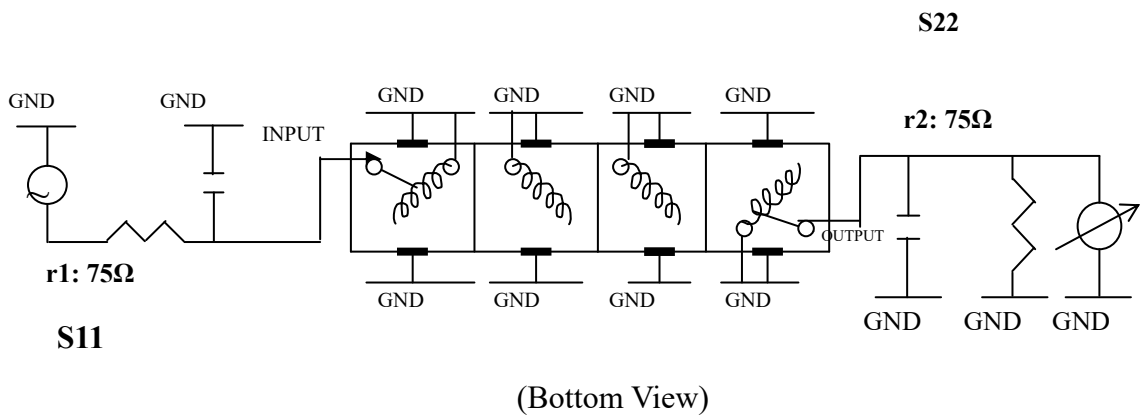
Customer Name		Temwell's Part No.	TF64728A-915M
Approval No. /dated	201802055CD	Temwell's Print Name	64728A 915M
Work Instruction No.	201802055CD	Date	Apr.03.2018



(3) Electric Characteristic

Item	Specify	Performance	
Center Freq.(Fo) +/- 0.5 %	915 MHz	915 MHz	
Insertion Loss	Typ. 7.0 dB	6.07 dB	
-3 dB Bandwidth	Typ. 2 MHz	11.7 MHz	
Sensitivity (Attenuation)	Fo - 50 MHz	Typ. 57 dBc	68 dBc
	Fo + 50 MHz	Typ. 52 dBc	62 dBc
	Fo - ()MHz	Typ. dBc	dBc
	Fo +()MHz	Typ. dBc	dBc
Return Loss	Min. 12 dB	26.5 dB	
Ripple	< 1 dB	dB	
Impedance	In / Out : 50 Ω	In / Out : 50 Ω	
(4) Torque for Tuning Screw	> 60gf · cm		
(5) Temperature Condition:			
Operating Temperature	0°C ~ +60°C		
Storage Temperature	-20°C ~ +70°C		
(6) Input Power	> 1Watt		

(7) Measuring Circuit: ※Easy to match Impedance S11/S22 /75Ω by parallel with about(- -).



Approval	Supervisor	Designer	Aperture size
C.Y.Chang	C.K.Chang	M.Y.Kang	7H4S(4*4.65)(4.70) 7H046LB4.3 聚 3

