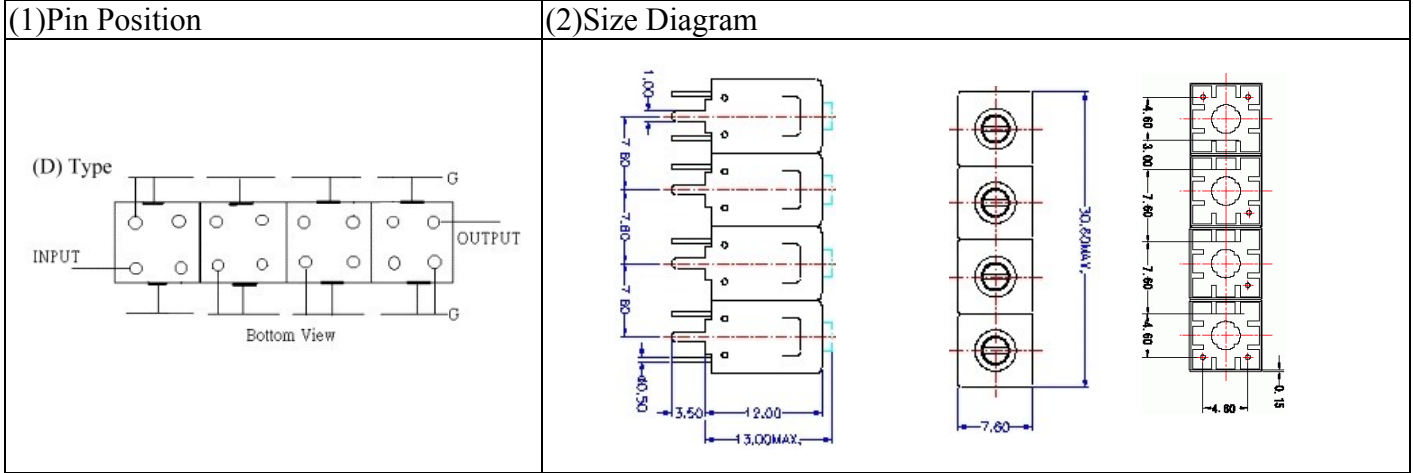


VHF UHF Helical Filter Specification Sheet

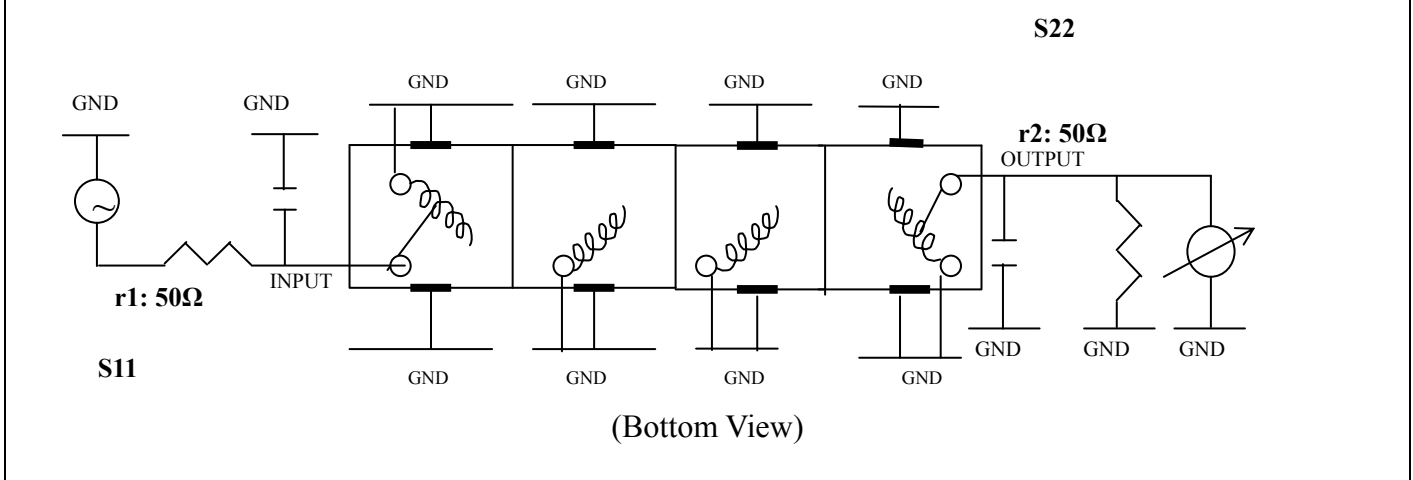
Customer Name		Temwell's Part No.	TF64602D-768M
Approval No. /dated	201708015CD	Temwell's Print Name.	64602D 768M
Work Instruction No.	201708015CD	Date	Aug.18.2017



(3) Electric Charasteric

Item	Specify	Performance	
Center Freq.(Fo) +/- 0.5 %	768 MHz	768 MHz	
Insertion Loss	Typ 2.5 dB	1.59 dB	
-3 dB Bandwidth	Typ. 65 MHz	69.8 MHz	
Sensitivity (Attenuation)	Fo - 100 MHz	Typ. 48 dBc	50 dBc
	Fo + 100 MHz	Typ. 26 dBc	30 dBc
	Fo - ()MHz	Typ. dB	dB
	Fo +()MHz	Typ. dB	dB
Return Loss	Min. 12 dB	17.1 dB	
Ripple	< 1 dB	dB	
Impedance	In / Out : 50 Ω	In / Out : 50 Ω	
(4) Torque for Tuning Screw	> 60gf · cm		
(5) Temperature Condition:			
Operating Temperature	0°C ~ +60°C		
Storage Temperature	-20°C ~ +70°C		
(6) Input Power	> 1Watt		

(7) Measuring Circuit: ※Easy to match Impedance S11/S22 50Ω/ by parallel with about(---)



Approval	Supervisor	Designer	Aperture size
C.Y.Chang	C.K.Chang	P.H.Chiang	7H4S(4*6.35)(6.39) 7H046LB5.5

TEMWELL CORPORATION

TEMWELL

RP(P-H)

Performance-TF64602D-768M

201708015CD

