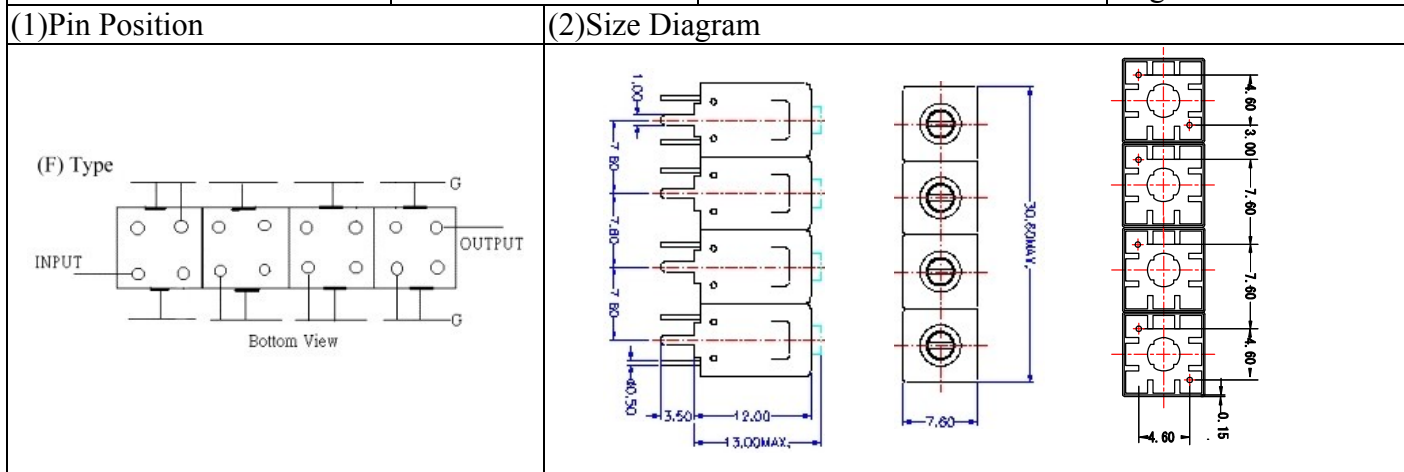


# VHF UHF Helical Filter Specification Sheet

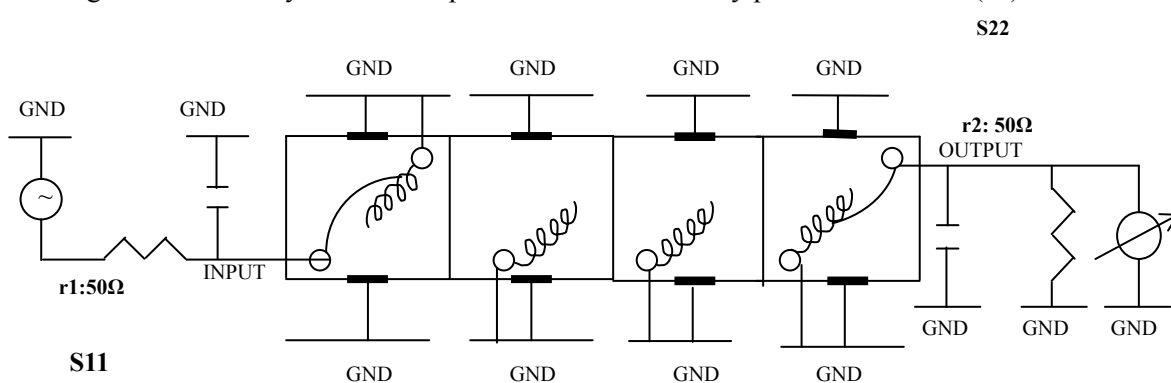
Customer Name		Temwell's Part No.	TF64578F-735M
Approval No. /dated		Temwell's Print name	64578F 735M
Work Instruction No.	201607042CD	Date	Aug.02.2016



(3) Electric Characteristic

Item	Specify	Performance	
Center Freq.(Fo) +/- 0.5 %	735 MHz	735 MHz	
Insertion Loss	Typ. 2.5 dB	1.75 dB	
-3 dB Bandwidth	Typ. 40 MHz	44.6 MHz	
Sensitivity (Attenuation)	Fo - (50) MHz	Typ. 36 dBc	41 dBc
	Fo + (50) MHz	Typ. 21 dBc	26 dBc
	Fo - ( ) MHz	Typ. dBc	dBc
	Fo + ( ) MHz	Typ. dBc	dBc
Return Loss	Min. 12 dB	24.8 dB	
Ripple	< 1 dB	dB	
Impedance	In / Out : 50 Ω	In / Out : 50 Ω	
(4) Torque for Tuning Screw	> 60gf · cm		
(5) Temperature Condition:			
Operating Temperature	0°C ~ +60°C		
Storage Temperature	-20°C ~ +70°C		
(6) Input Power	> 1Watt		

(7) Measuring Circuit: ※Easy to match Impedance S11/S22 50Ω by parallel with about(- -).



(Bottom View)

Approval	Supervisor	Designer	Aperture size
C.Y.Chang	C.K.Chang	C.S.Chang	7H4S(4*8.0)(8.02) 7H046LB4.5 聚 2

TEMWELL CORPORATION

# Performance-TF64578F-735M

## 201607042CD

Tr1 S11 Log Mag 5.000dB/ Ref 0.000dB [F2]  
Tr2 S21 Log Mag 10.00dB/ Ref 0.000dB [F2]

