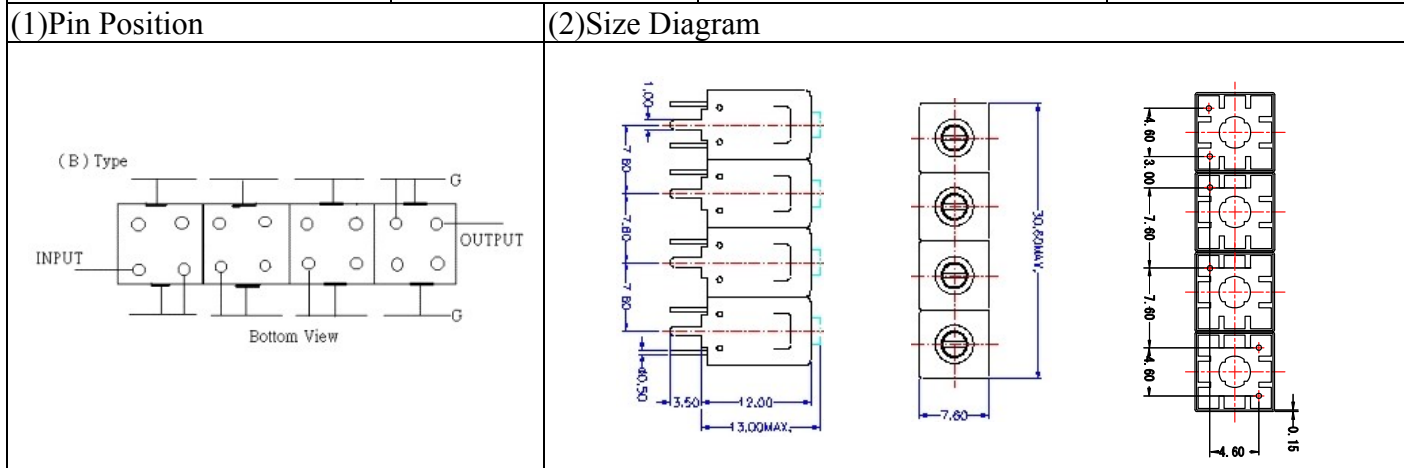


# VHF UHF Helical Filter Specification Sheet

Customer Name		Temwell's Part No.	TF64566B-1400M
Approval No. /dated	201709023CD	Temwell's Print Name	64566B 1400M
Work Instruction No.	201709023CD	Date	Nov.16.2017



### (3) Electric Characteristic

Item	Specify	Performance
Center Freq.(Fo) +/- 0.75 %	1400 MHz	1400 MHz
Insertion Loss	Typ. 2.0 dB	1.05 dB
-3 dB Bandwidth	Typ. 210 MHz	234.1 MHz
Sensitivity (Attenuation)	Fo - 400 MHz	Typ. 60 dBc
	Fo + 400 MHz	Typ. 29 dBc
	Fo - ( )MHz	Typ. dBc
	Fo +( )MHz	Typ. dBc
Return Loss	Min. 12 dB	22.1 dB
Ripple	< 1 dB	
Impedance	In / Out : 50 Ω	In / Out : 50 Ω
(4) Torque for Tuning Screw	> 60gf · cm	

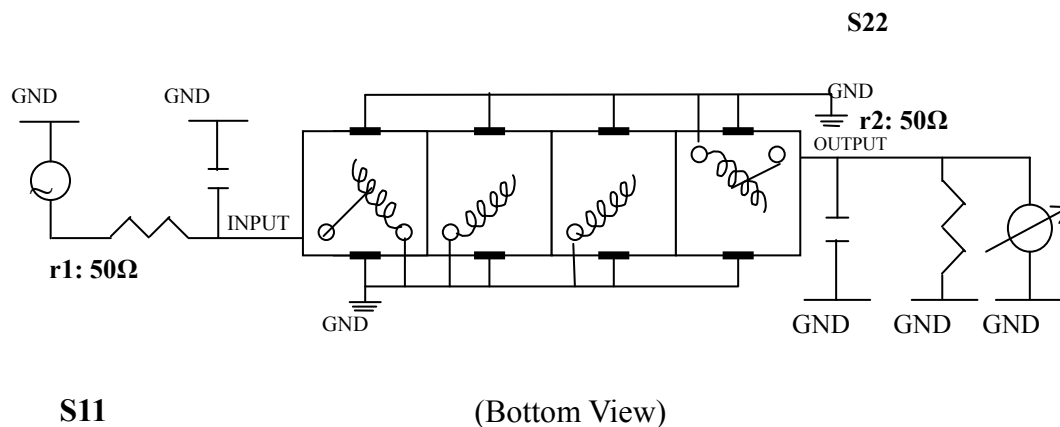
### (5) Temperature Condition:

Operating Temperature	0°C ~ +60°C
Storage Temperature	-20°C ~ +70°C

### (6) Input Power

> 1Watt

### (7) Measuring Circuit: ※Easy to match Impedance S11/S22 50Ω/ by parallel with about(- -).

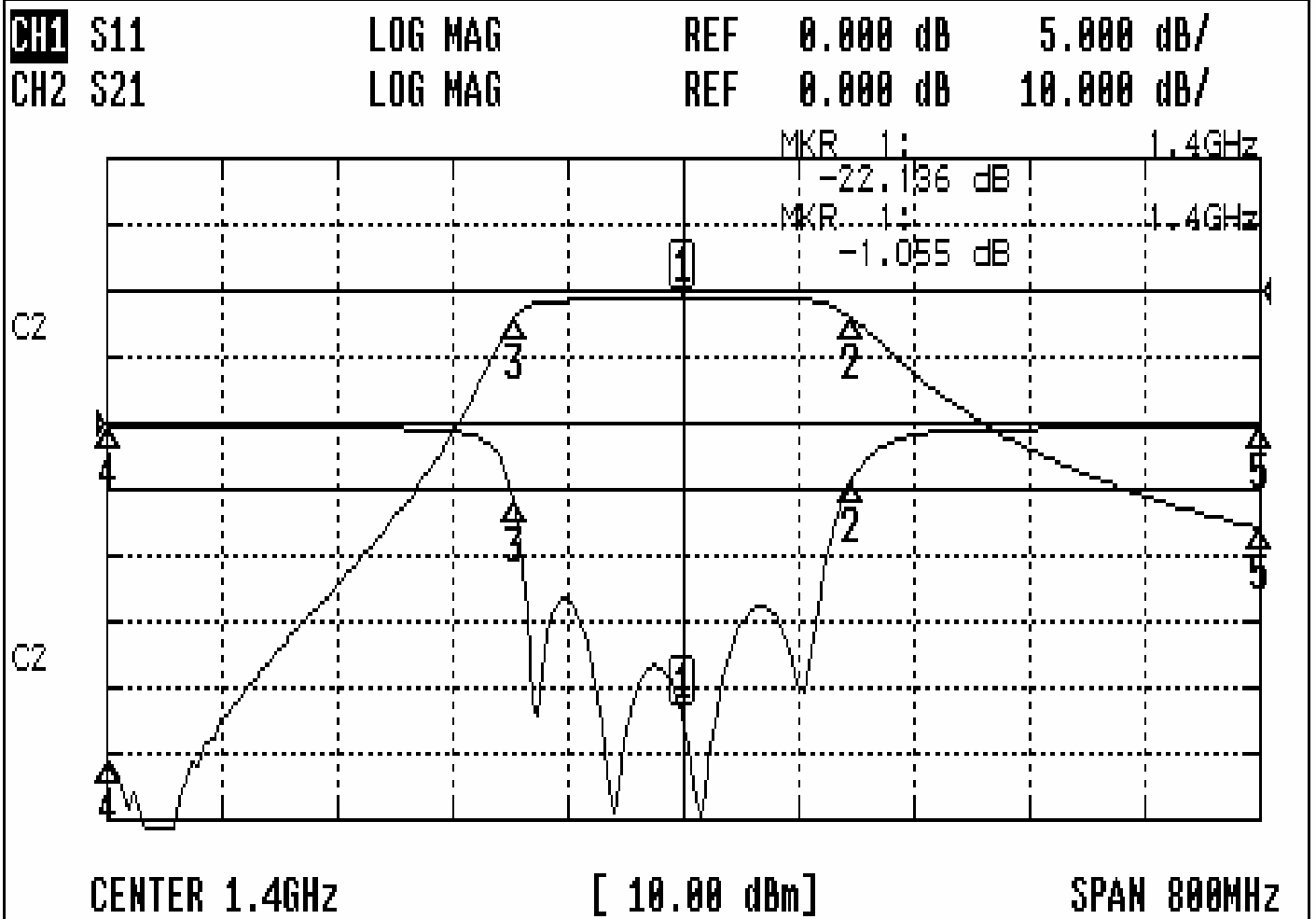


Approval	Supervisor	Designer	Aperture size
C.Y.Chang	C.K.Chang	C.H.Yeh	7H4S(4*8.0)(8.03) 7H046RB6.5

TEMWELL CORPORATION

# Performance-TF64566B-1400M

## 201709023CD



### CH1 MARKER LIST

Marker	Freq (GHz)	Magnitude (dB)
1	1.400000	-22.136
2	1.517333	-4.299
3	1.283150	-5.978
4	1.000000	-0.210
5	1.800000	-0.396

### CH2 MARKER LIST

Marker	Freq (GHz)	Magnitude (dB)
1	1.400000	-1.055
2	1.517333	-4.102
3	1.283150	-4.050
4	1.000000	-71.143
5	1.800000	-35.897