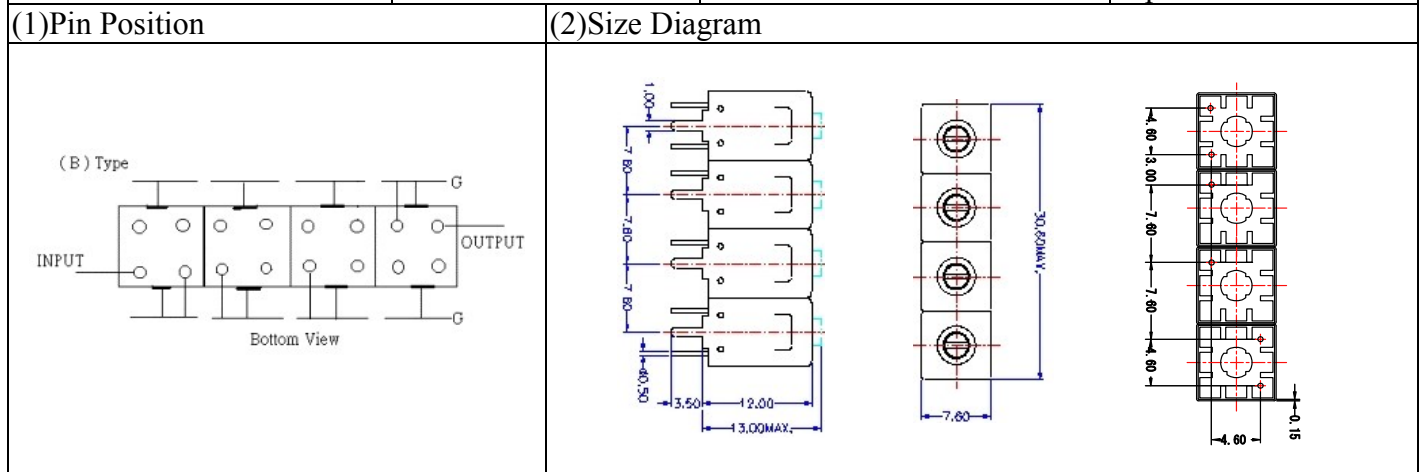
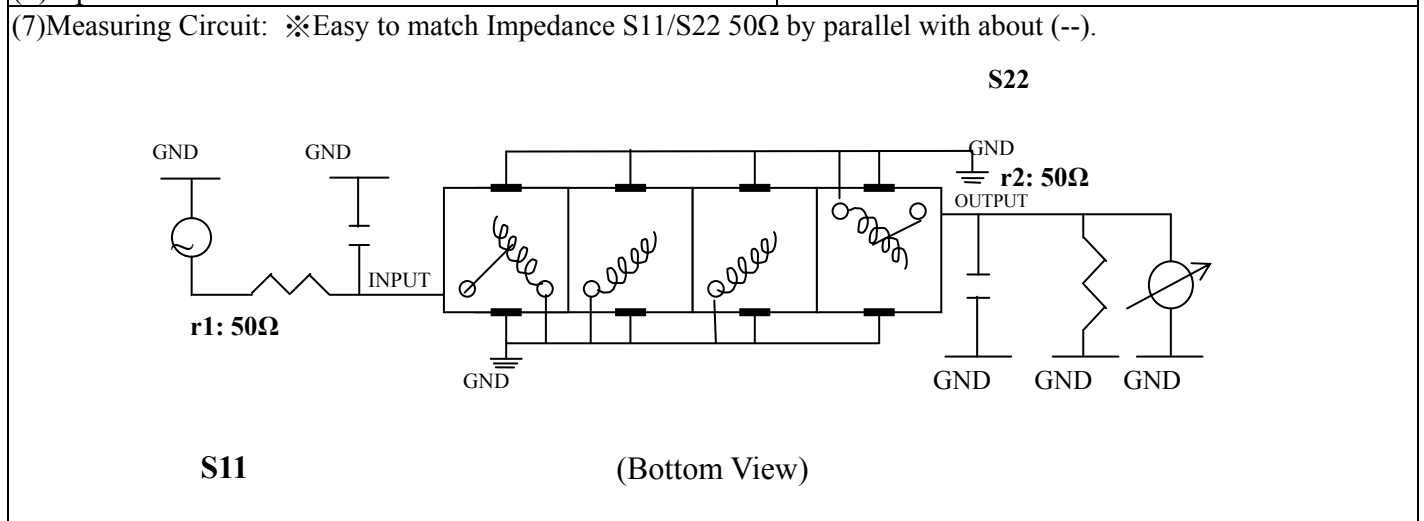


# VHF UHF Helical Filter Specification Sheet

Customer Name		Temwell's Part No.	TF64561B-800M
Approval No. /dated	201708063CD	Temwell's Print Name	64561B 800M
Work Instruction No.	201708063CD	Date	Sep.15.2017



(3) Electric Characteristic			
Item	Specify	Performance	
Center Freq.(Fo) +/- 0.5 %	800 MHz	800 MHz	
Insertion Loss	Typ. 2.0 dB	0.86 dB	
-3 dB Bandwidth	Typ. 160 MHz	171.0 MHz	
Sensitivity (Attenuation)	Fo - 150 MHz	Typ. 31 dBc	36 dBc
	Fo +150 MHz	Typ. 12 dBc	17 dBc
	Fo - ( )MHz	Typ. dB	dB
	Fo +( )MHz	Typ. dB	dB
Return Loss	Min. 12 dB	20.0 dB	
Ripple	< 1 dB	dB	
Impedance	In / Out : 50 Ω	In / Out : 50 Ω	
(4) Torque for Tuning Screw	> 60gf · cm		
(5) Temperature Condition:			
Operating Temperature	0°C ~ +60°C		
Storage Temperature	-20°C ~ +70°C		
(6) Input Power	> 1 Watt		

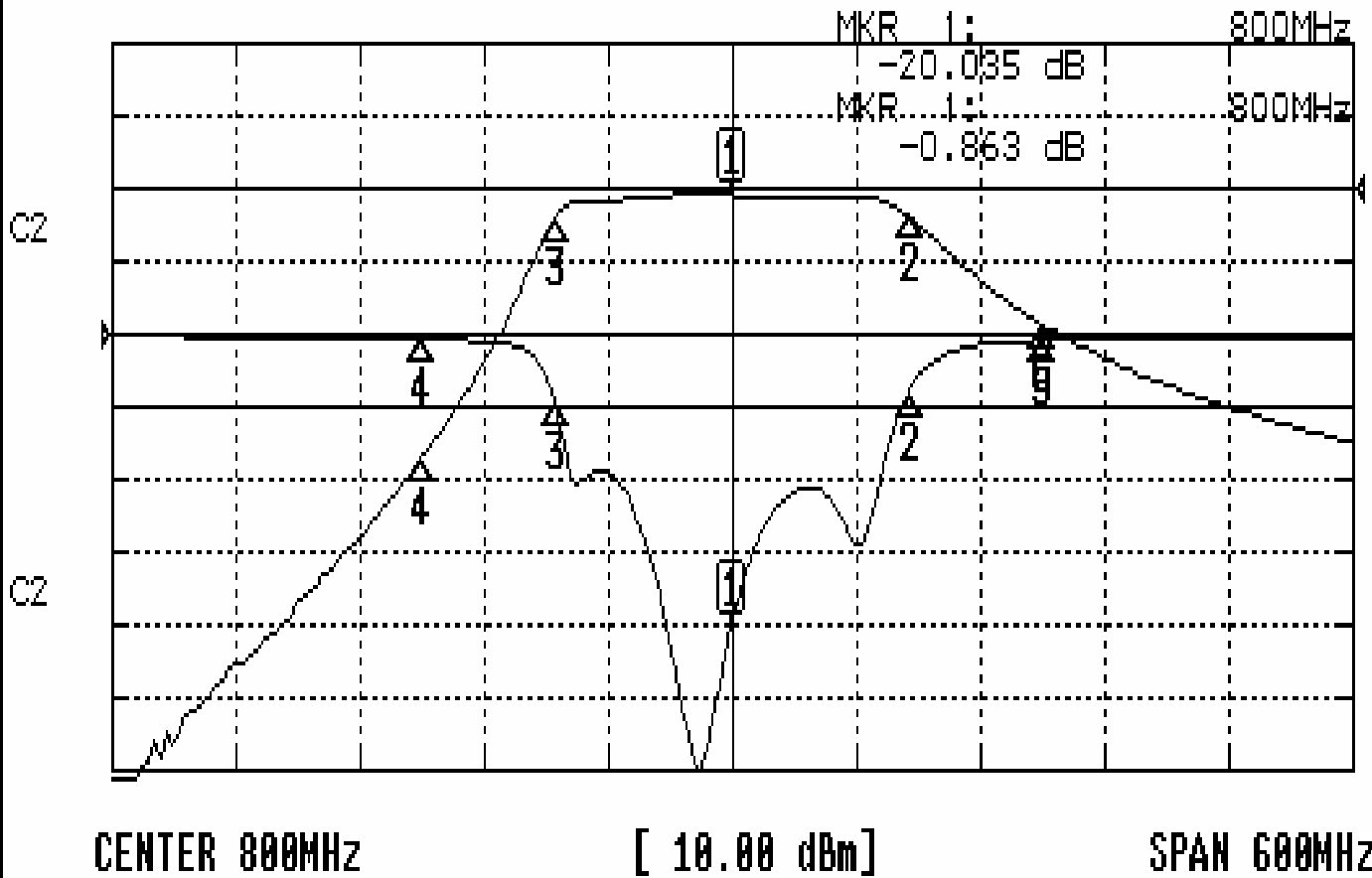


Approval	Supervisor	Designer	Aperture size
C.Y.Chang	C.K.Chang	M.Y.Kang	7H4S(4*8.0)(8.07) 7H046RB6.5 (J1)
TEMWELL CORPORATION			

# Performance-TF64561B-800M

## 201708063CD

**CH1** S11                      LOG MAG                      REF    0.000 dB                      5.000 dB/  
**CH2** S21                      LOG MAG                      REF    0.000 dB                      10.000 dB/



### CH1 MARKER LIST

1:	800.000MHz	-20.035 dB
2:	885.600MHz	-3.951 dB
3:	714.600MHz	-4.816 dB
4:	650.000MHz	-0.320 dB
5:	950.000MHz	-0.411 dB

### CH2 MARKER LIST

1:	800.000MHz	-0.863 dB
2:	885.600MHz	-1.000 dB
3:	714.600MHz	-3.886 dB
4:	650.000MHz	-37.121 dB
5:	950.000MHz	-18.643 dB