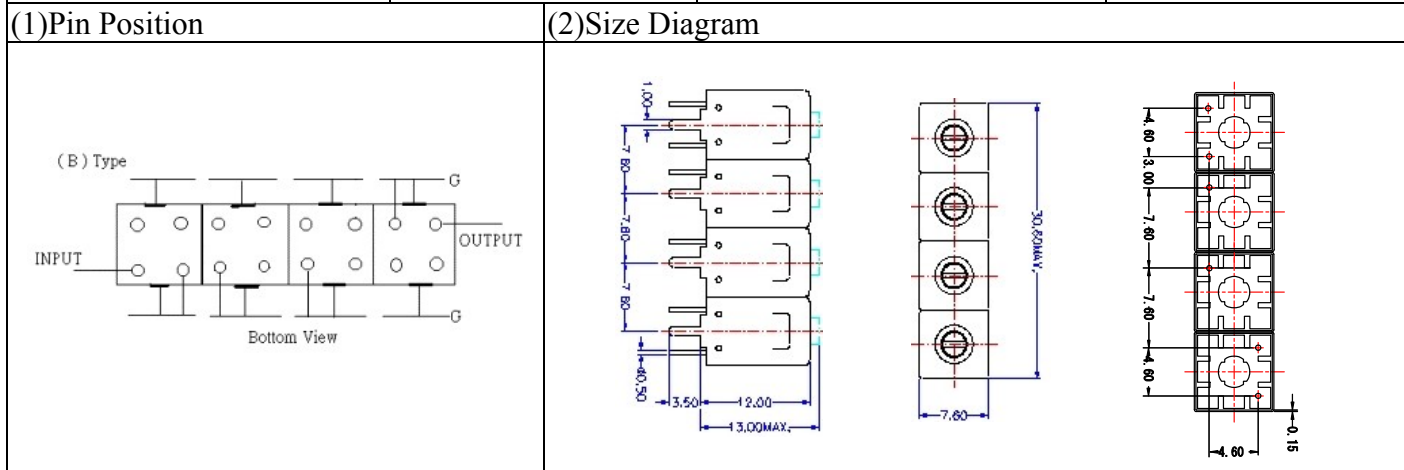


VHF UHF Helical Filter Specification Sheet

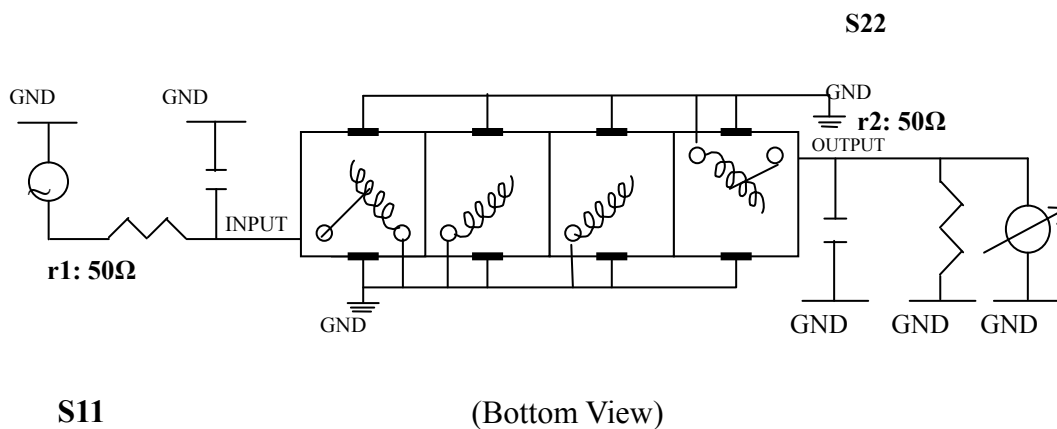
Customer Name		Temwell's Part No.	TF64556B-200M
Approval No. /dated	201702011CD	Temwell's Print Name	64556B 200M
Work Instruction No.	201702011CD	Date	Feb.16.2017



(3) Electric Characteristic

Item	Specify	Performance	
Center Freq.(Fo) +/- 0.5 %	200 MHz	200 MHz	
Insertion Loss	Typ. 1.5 dB	0.70 dB	
-3 dB Bandwidth	Typ. 60 MHz	63.5 MHz	
Sensitivity (Attenuation)	Fo - 100 MHz	Typ. 55 dBc	62 dBc
	Fo + 100 MHz	Typ. 34 dBc	39 dBc
	Fo - ()MHz	Typ. dBc	dBc
	Fo +()MHz	Typ. dBc	dBc
Return Loss	Min. 12 dB	24.7 dB	
Ripple	< 1 dB	dB	
Impedance	In / Out : 50 Ω	In / Out : 50 Ω	
(4) Torque for Tuning Screw	> 60gf · cm		
(5) Temperature Condition:			
Operating Temperature	0°C ~ +60°C		
Storage Temperature	-20°C ~ +70°C		
(6) Input Power	> 1Watt		

(7) Measuring Circuit: ※Easy to match Impedance S11/S22 50Ω by parallel with about(- -).



Approval	Supervisor	Designer	Aperture size
C.Y.Chang	C.K.Chang	C.H.Yeh	7H4S(4*8.0)(8.02) 7H046LB6.6
TEMWELL CORPORATION			

Performance-TF64556B-200M

201702011CD

CH1 S11

LOG MAG

REF 0.000 dB

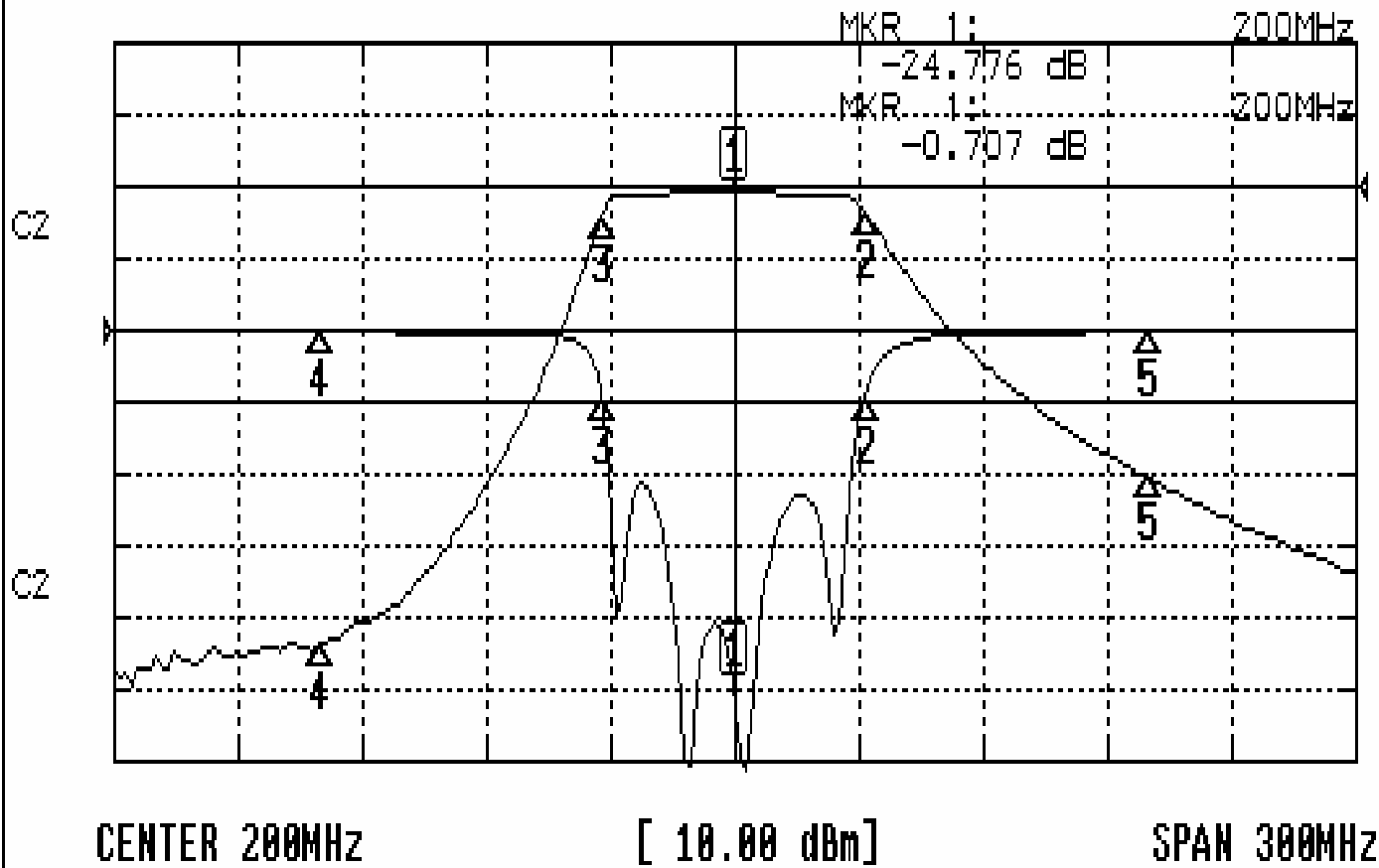
5.000 dB/

CH2 S21

LOG MAG

REF 0.000 dB

10.000 dB/



CH1 MARKER LIST

1:	200.000MHz	-24.776 dB
2:	231.750MHz	-4.466 dB
3:	168.250MHz	-4.871 dB
4:	100.000MHz	-0.118 dB
5:	300.000MHz	-0.103 dB

CH2 MARKER LIST

1:	200.000MHz	-0.707 dB
2:	231.750MHz	-3.716 dB
3:	168.250MHz	-3.884 dB
4:	100.000MHz	-63.639 dB
5:	300.000MHz	-40.534 dB